

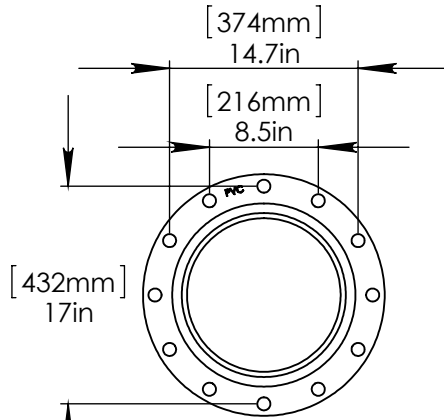
NOTES:

(1) PURGE ALL WATER SUPPLY LINES TO REMOVE SOLIDS PRIOR TO TOY INSTALLATION.

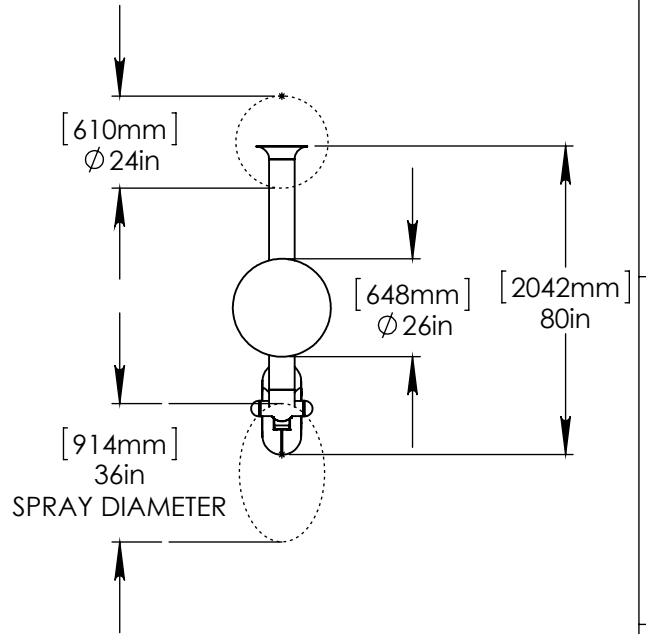
(2) PROVIDE ELECTRICAL BOND WITH POOL REBAR.

(3) INSTALL ALL WATER TOYS PLUMB AND LEVEL.

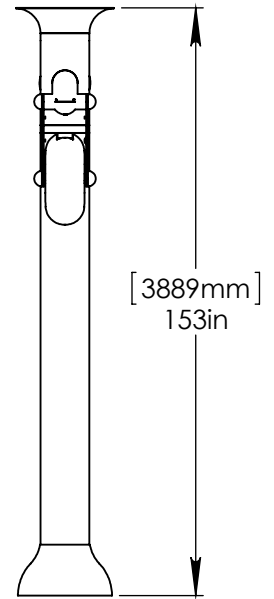
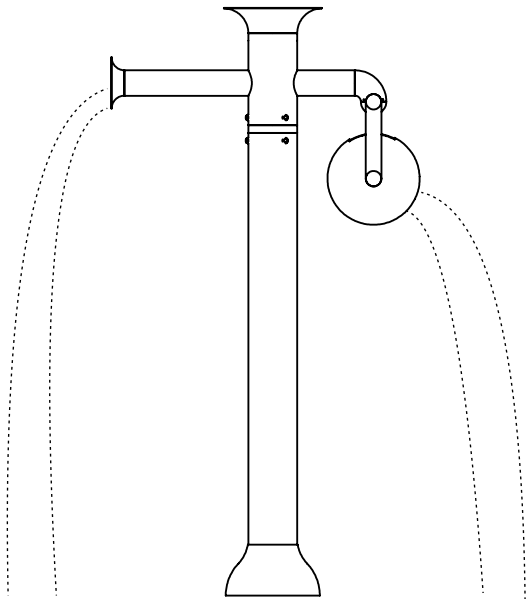
(4) PROVIDE STRAINER UPSTREAM OF TOY WITH MAX 1/32" (0.8mm) PERFORATIONS.



FLANGE DETAIL



SPRAY DIAMETER



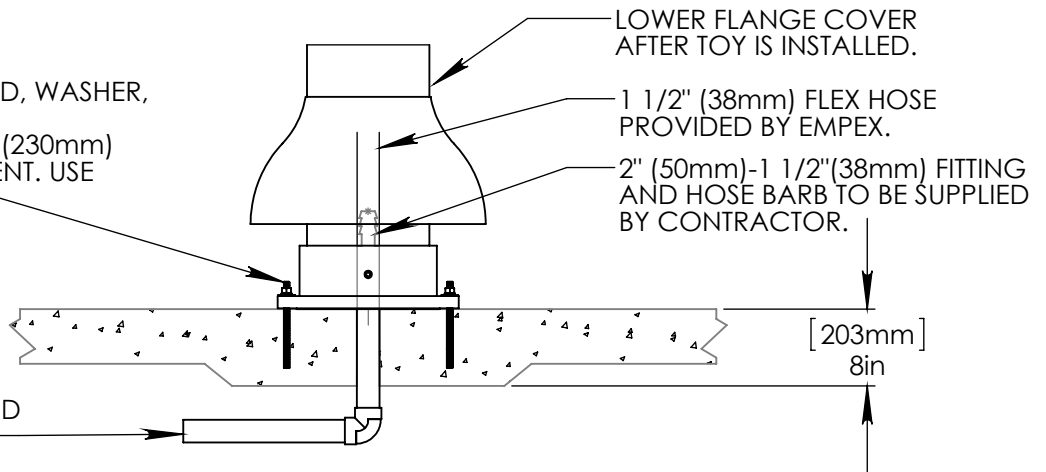
STAINLESS STEEL (316)
5/8" (16mm) THREADED ROD, WASHER,
LOCK WASHER, & NUT.
THREADED ROD LENGTH 9" (230mm)
WITH 6" (150mm) EMBEDMENT. USE
MINIMUM 6 ANCHORS.

LOWER FLANGE COVER
AFTER TOY IS INSTALLED.

1 1/2" (38mm) FLEX HOSE
PROVIDED BY EMPEX.

2" (50mm)-1 1/2" (38mm) FITTING
AND HOSE BARB TO BE SUPPLIED
BY CONTRACTOR.

2" (50mm) SCH 40 PVC
WATERFEED TO BE EXTENDED
8" (200mm) ABOVE SLAB.



[203mm]
8in

Notes: Overall dimensions of toys are approximate.

© EMPEX WATERTOYS



WATER SUPPLY

60 gpm @ 25 psi
3.79 L/S @ 17.5m

AQUADROP

T740

4/2/2015

SCALE:
1:50

Sheet
1 of 1