

NOTES:

(1) PURGE ALL WATER SUPPLY LINES TO REMOVE SOLIDS PRIOR TO TOY INSTALLATION.

(2) PROVIDE ELECTRICAL BOND WITH POOL REBAR.

(3) INSTALL ALL WATER TOYS PLUMB AND LEVEL.

(4) PROVIDE STRAINER UPSTREAM OF TOY WITH MAX 1/32" (0.8mm) PERFORATIONS.

A

A

B

B

C

C

D

D

E

E

F

F

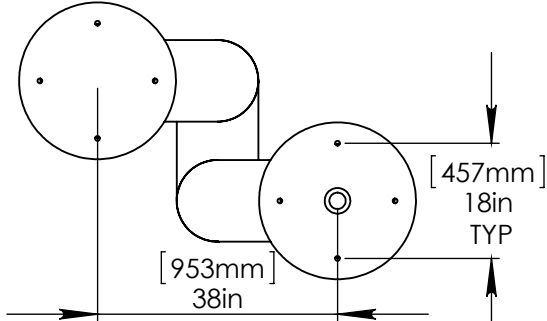
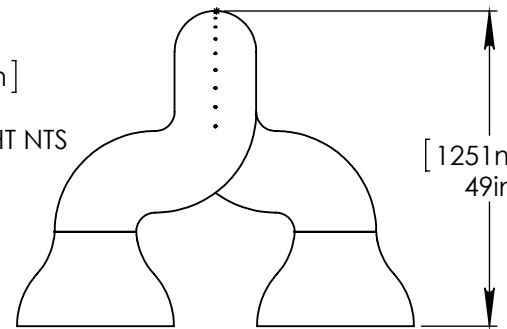
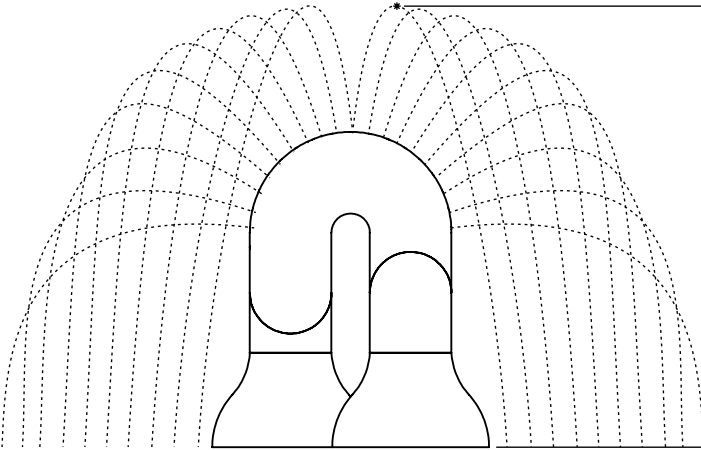
[1829mm]
72in
SPRAY DIAMETER

[1099mm]
43in

[1568mm]
62in

[1854mm]
73in
SPRAY HEIGHT NTS

[1251mm]
49in



BOLT PATTERN

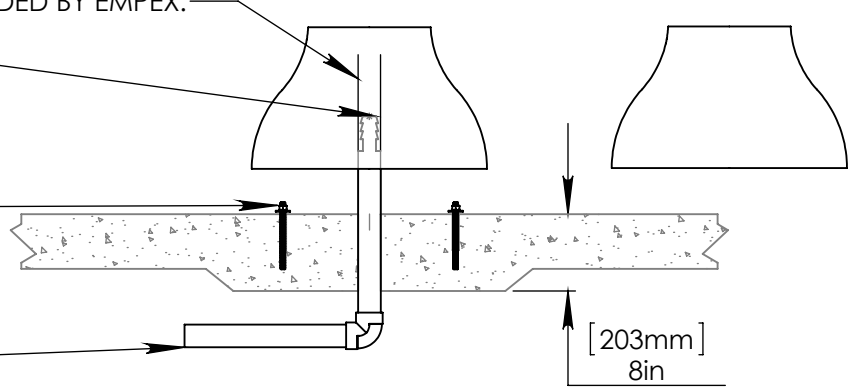
LOWER AQUALOOP AFTER BASE IS INSTALLED

2" (50mm)-1 1/2" (38mm) FITTING AND HOSE CLAMP PROVIDED BY CONTRACTOR.

STAINLESS STEEL (316) THREADED ROD, LOCK WASHER WASHER, & NUT. THREADED ROD LENGTH 7" (180mm) WITH 6" (150mm) EMBEDMENT.

2" (50mm) SCH 40 PVC WATERFEED TO BE EXTENDED 8" (200mm) ABOVE SLAB.

1 1/2" (38mm) FLEX HOSE PROVIDED BY EMPEX.



[203mm]
8in

Notes: Overall dimensions of toys are approximate.

© EMPEX WATERTOYS



WATER SUPPLY
50 gpm @ 25 psi
3.15 L/S @ 17.5m

AQUALOOP

T808

11/5/2014

SCALE:
1:50

Sheet
1 of 1