

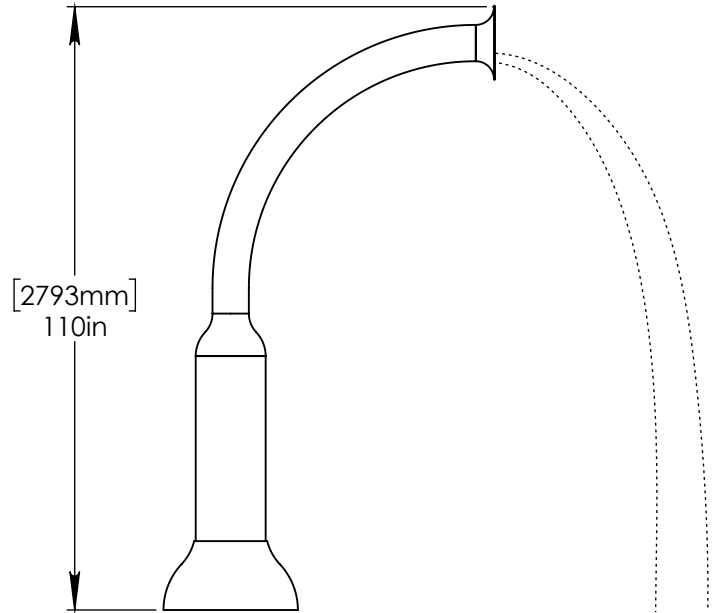
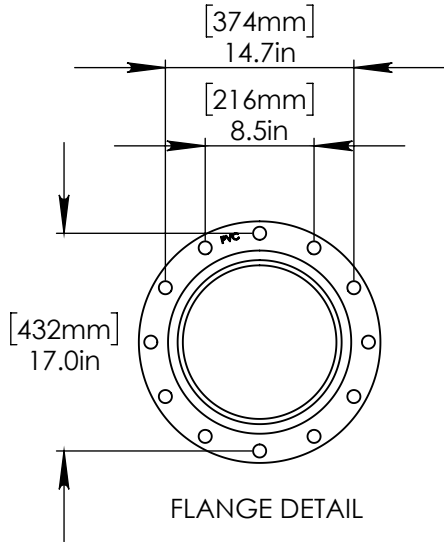
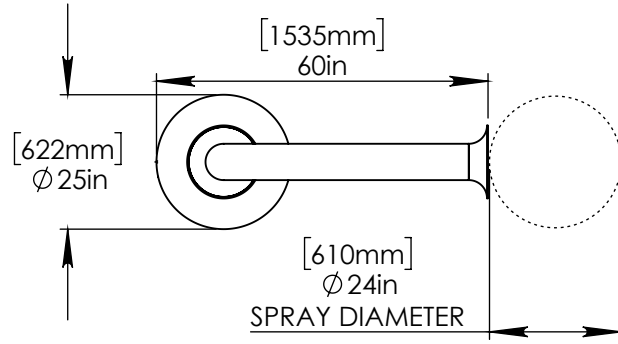
NOTES:

(1) PURGE ALL WATER SUPPLY LINES TO REMOVE SOLIDS PRIOR TO TOY INSTALLATION.

(2) PROVIDE ELECTRICAL BOND WITH POOL REBAR.

(3) INSTALL ALL WATER TOYS PLUMB AND LEVEL.

(4) PROVIDE STRAINER UPSTREAM OF TOY WITH MAX 1#32" (0.8mm) PERFORATIONS.



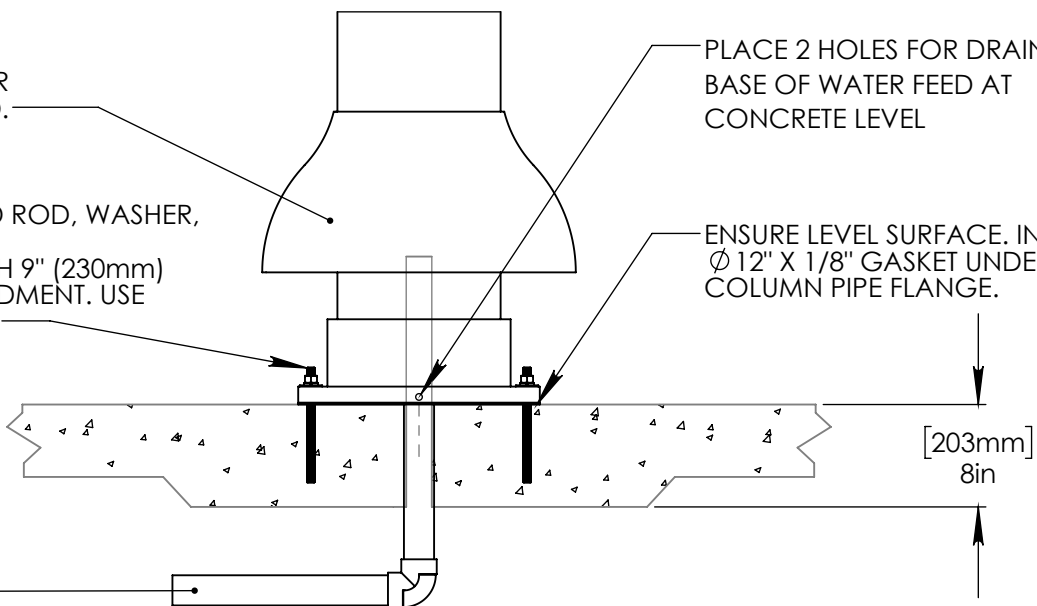
LOWER FLANGE COVER AFTER TOY IS INSTALLED.

STAINLESS STEEL (316) 5/8" (16mm) THREADED ROD, WASHER, LOCK WASHER, & NUT. THREADED ROD LENGTH 9" (230mm) WITH 6" (150mm) EMBEDMENT. USE MINIMUM 6 ANCHORS.

PLACE 2 HOLES FOR DRAINAGE: BASE OF WATER FEED AT CONCRETE LEVEL

ENSURE LEVEL SURFACE. INSTALL Ø 12" X 1/8" GASKET UNDER COLUMN PIPE FLANGE.

2"(50mm) PVC SCH40 WATER FEED TO BE EXTENDED 8" (200mm) ABOVE SLAB.



Notes: Overall dimensions of toys are approximate.

© EMPEX WATERTOYS

WATER SUPPLY
60 gpm @ 25 psi
3.8L/S @17.5m

AQUABENDO

T813

12/2/2016

SCALE:
1:35

Sheet
1 of 1