

1

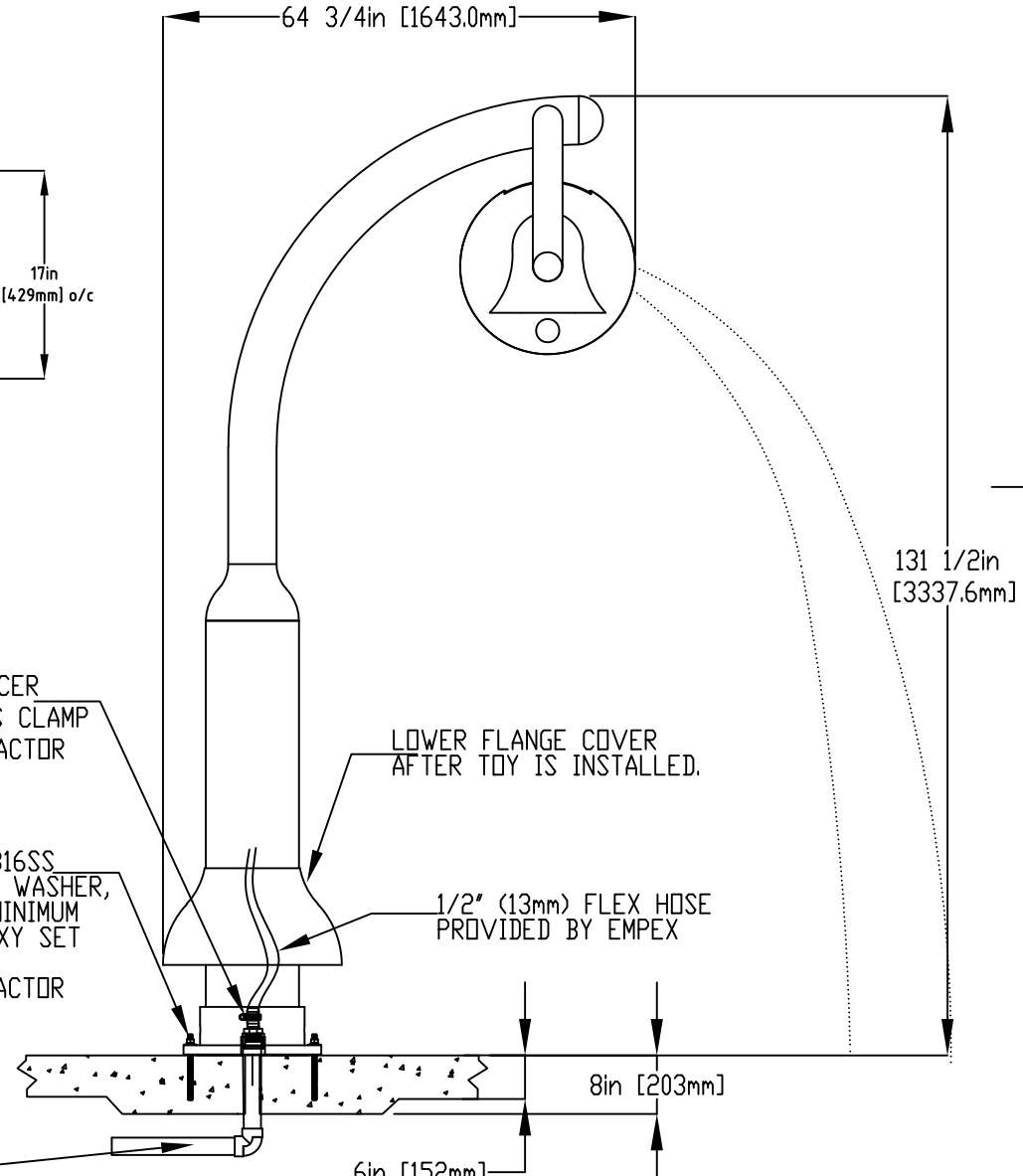
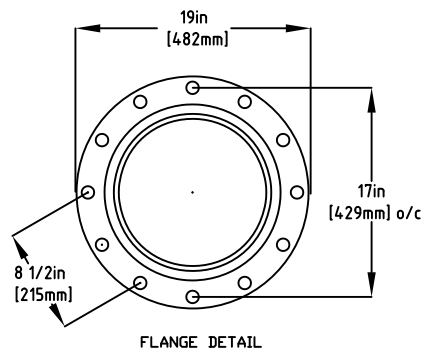
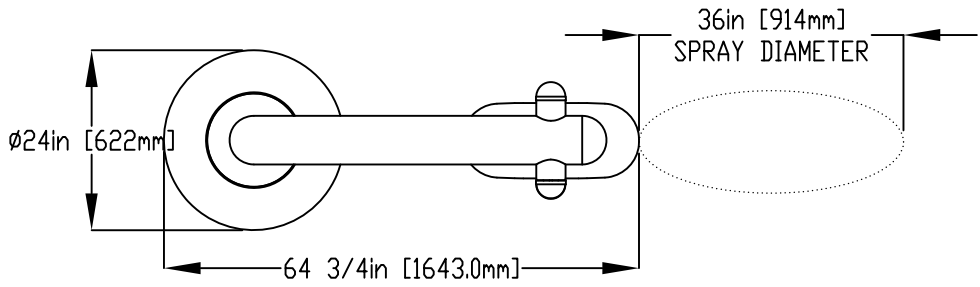
2

3

4

NOTES:

- (1) PURGE ALL WATER SUPPLY LINES TO REMOVE SOLIDS PRIOR TO TOY INSTALLATION.
- (2) PROVIDE ELECTRICAL BOND WITH POOL REBAR.
- (3) INSTALL ALL WATER TOYS PLUMB AND LEVEL.
- (4) PROVIDE STRAINER UPSTREAM OF TOY WITH MAX 1/32" (0.8mm) PERFORATIONS.



- 2" (50mm) COUPLING
- 2" (50mm)-1/2" (13mm) REDUCER
- 1/2" (13mm) HOSEBARB W/SS CLAMP TO BE PROVIDED BY CONTRACTOR
- 5/8" (16mm) X 9" (229mm) 316SS THREADED ROD C/W FENDER WASHER, LOCK WASHER, & NUT (X6), MINIMUM 6" (152mm) EMBEDMENT, EPOXY SET ANCHOR ADHESIVE TO BE PROVIDED BY CONTRACTOR

LOWER FLANGE COVER AFTER TOY IS INSTALLED.

1/2" (13mm) FLEX HOSE PROVIDED BY EMPEX

WATERFEED  
2" (50mm) SCH 40 PVC PIPE EXTENDED 6" (152mm) ABOVE SLAB.

Notes: Overall dimensions of toys are approximate.  
Approximate Weight: 178lbs / 80.9kgs

© EMPEX WATERTOYS



WATER SUPPLY  
10 gpm @ 25 psi  
0.63 L/S @17.5m

AQUADUNK FIRE

T816-AF

15/03/2022

SCALE:

Sheet 1 of 1

1

2

3

4