

1

2

3

4

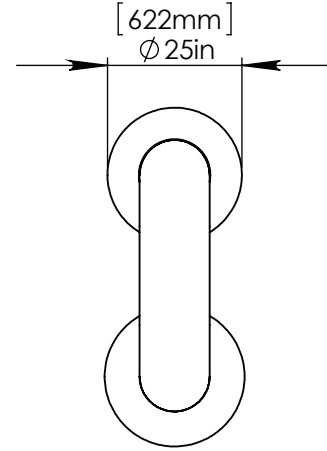
**NOTES:**

(1) PURGE ALL WATER SUPPLY LINES TO REMOVE SOLIDS PRIOR TO TOY INSTALLATION.

(2) PROVIDE ELECTRICAL BOND WITH POOL REBAR.

(3) INSTALL ALL WATER TOYS PLUMB AND LEVEL.

(4) PROVIDE STRAINER UPSTREAM OF TOY WITH MAX 1/32" (0.8mm) PERFORATIONS.



A

A

B

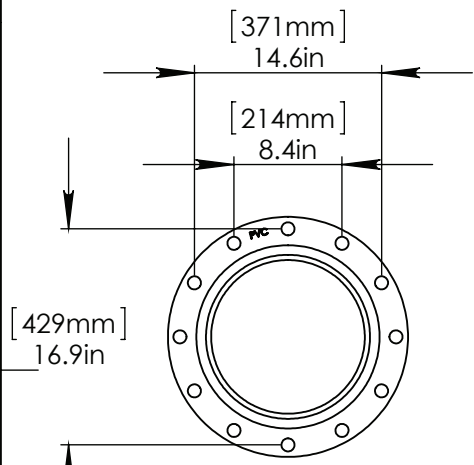
B

C

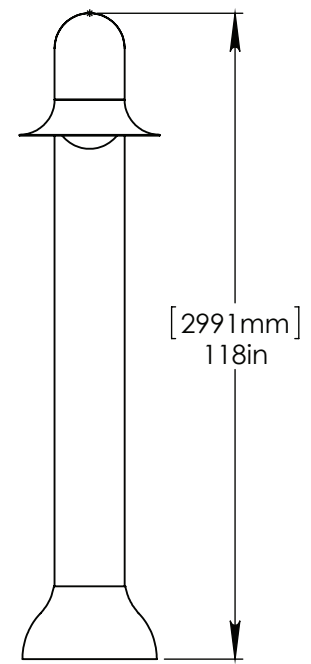
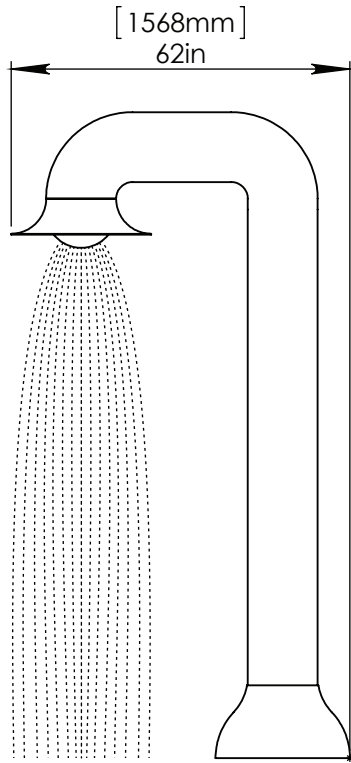
C

D

D

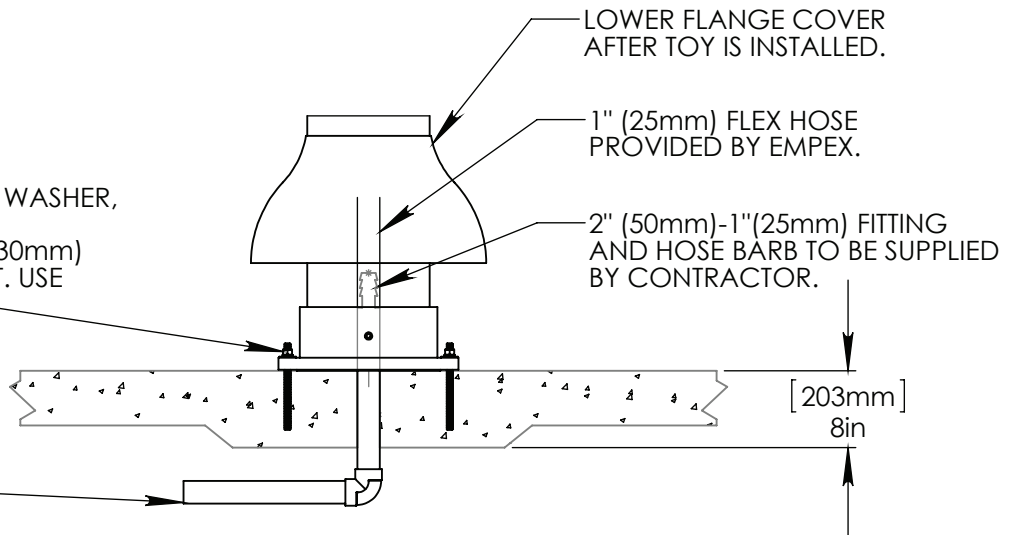


FLANGE DETAIL



STAINLESS STEEL (316)  
5/8" (16mm) THREADED ROD, WASHER,  
LOCK WASHER, & NUT.  
THREADED ROD LENGTH 9" (230mm)  
WITH 6" (150mm) EMBEDMENT. USE  
MINIMUM 6 ANCHORS.

2" (50mm) SCH 40 PVC  
WATERFEED TO BE EXTENDED  
8" (200mm) ABOVE SLAB.



E

E

F

F



Notes: Overall dimensions of toys are approximate.

© EMPEX WATERTOYS

WATER SUPPLY  
30 gpm @ 25 psi  
1.89L/S @ 17.5m

# AQUASPRAY

T828

9/8/2014

SCALE:  
1:35

Sheet  
1 of 1

1

2

3

4