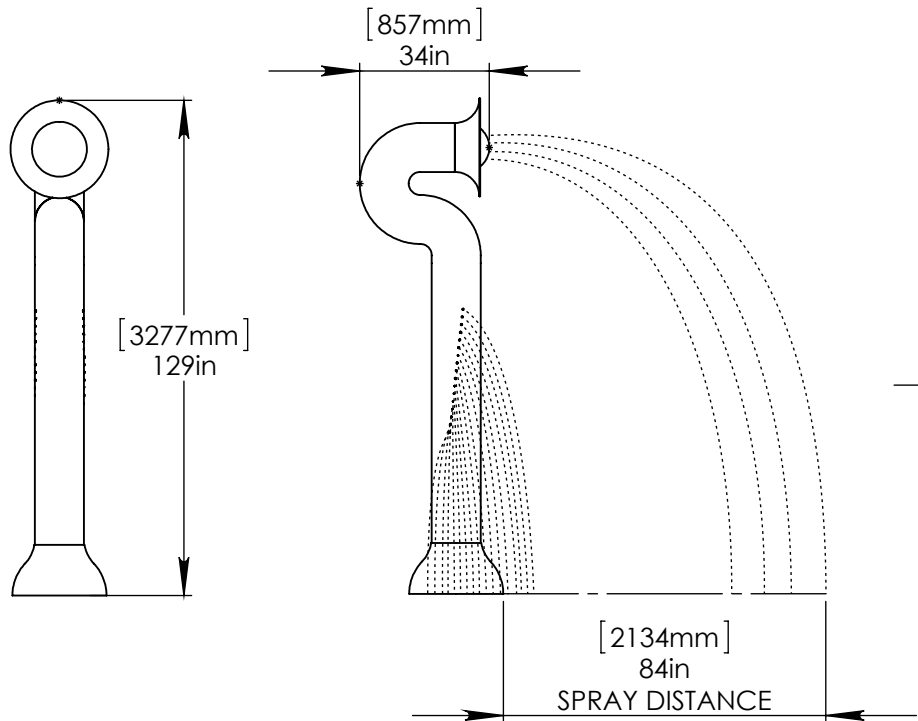
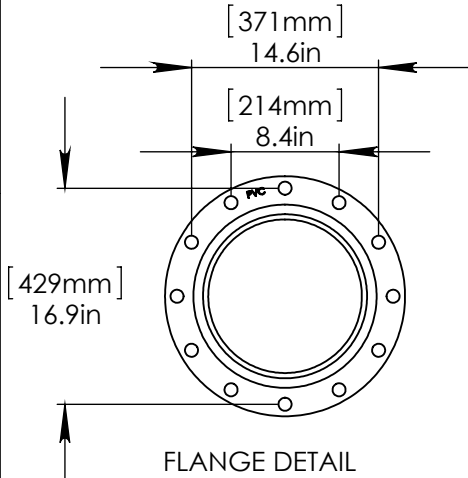
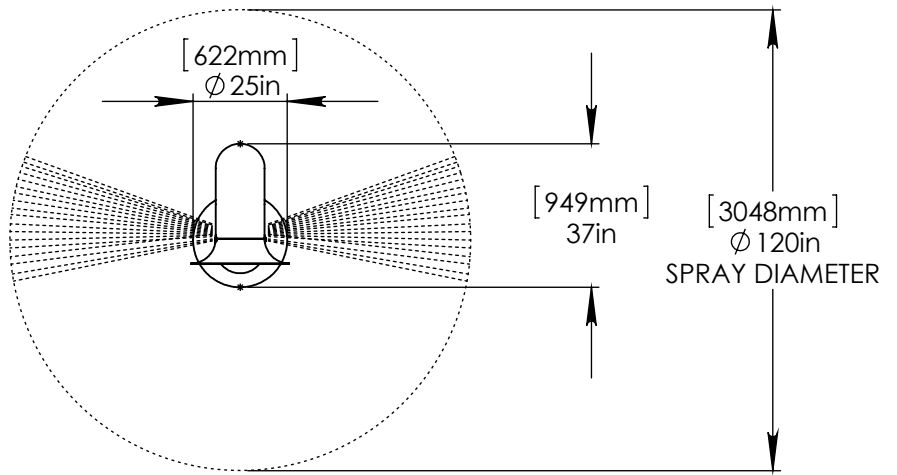


NOTES:

- (1) PURGE ALL WATER SUPPLY LINES TO REMOVE SOLIDS PRIOR TO TOY INSTALLATION.
- (2) PROVIDE ELECTRICAL BOND WITH POOL REBAR.
- (3) INSTALL ALL WATER TOYS PLUMB AND LEVEL.
- (4) PROVIDE STRAINER UPSTREAM OF TOY WITH MAX 1#32" (0.8mm) PERFORATIONS.



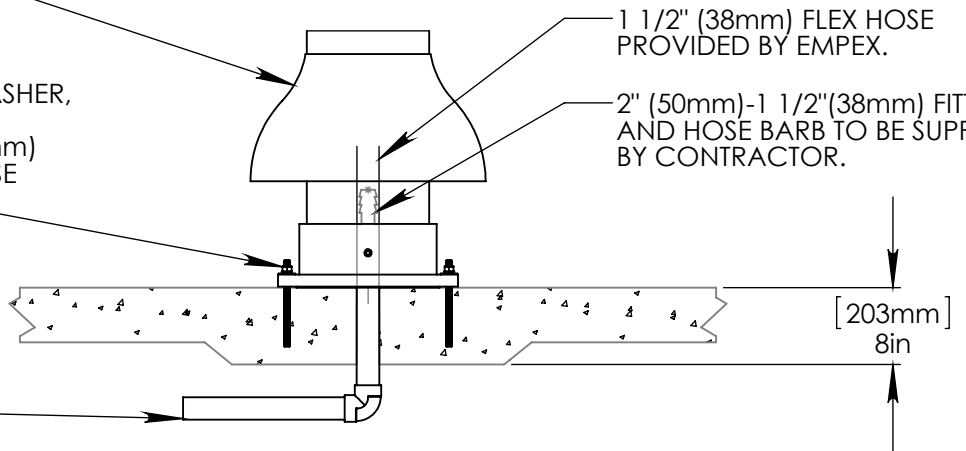
LOWER FLANGE COVER AFTER TOY IS INSTALLED.

STAINLESS STEEL (316)  
5/8" (16mm) THREADED ROD, WASHER,  
LOCK WASHER, & NUT.  
THREADED ROD LENGTH 9" (230mm)  
WITH 6" (150mm) EMBEDMENT. USE  
MINIMUM 6 ANCHORS.

1 1/2" (38mm) FLEX HOSE PROVIDED BY EMPEX.

2" (50mm)-1 1/2"(38mm) FITTING AND HOSE BARB TO BE SUPPLIED BY CONTRACTOR.

2"(50mm) SCH 40 PVC  
WATERFEED TO BE EXTENDED  
8"(200mm) ABOVE SLAB.



Notes: Overall dimensions of toys are approximate.

© EMPEX WATERTOYS

WATER SUPPLY  
50 gpm @ 25 psi  
3.15 L/S @ 17.5m

# AQUAFAN

T864

11/5/2014

SCALE:  
1:50

Sheet  
1 of 1