

1

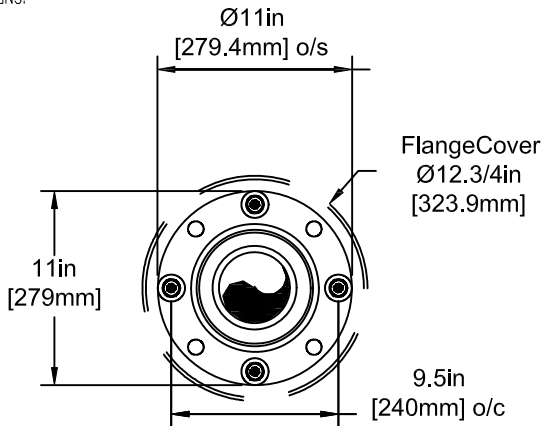
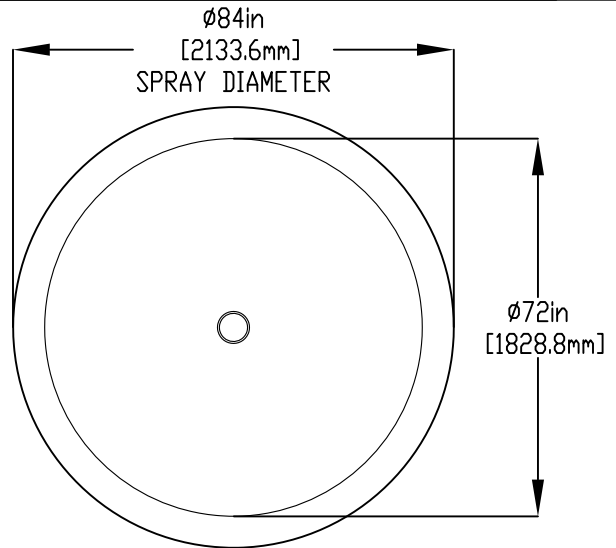
2

3

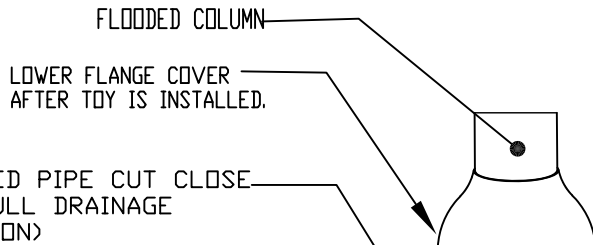
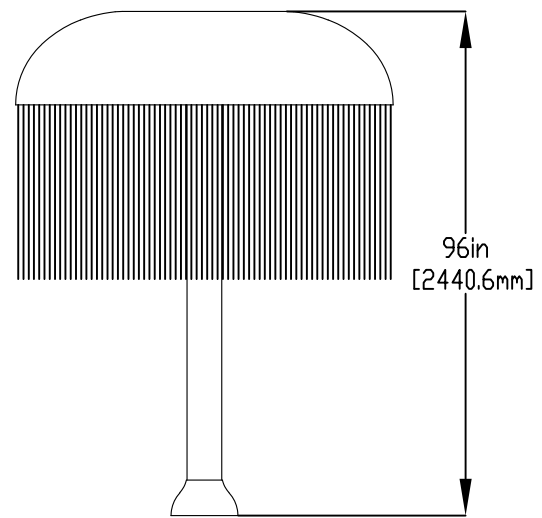
4

NOTES:

- (1) PURGE ALL WATER SUPPLY LINES TO REMOVE SOLIDS PRIOR TO TOY INSTALLATION.
- (2) PROVIDE ELECTRICAL BOND WITH POOL REBAR.
- (3) INSTALL ALL WATER TOYS PLUMB AND LEVEL.
- (4) PROVIDE STRAINER UPSTREAM OF TOY WITH MAX $\#32 \text{ } (0.8\text{mm})$ PERFORATIONS.



FLANGE DETAIL



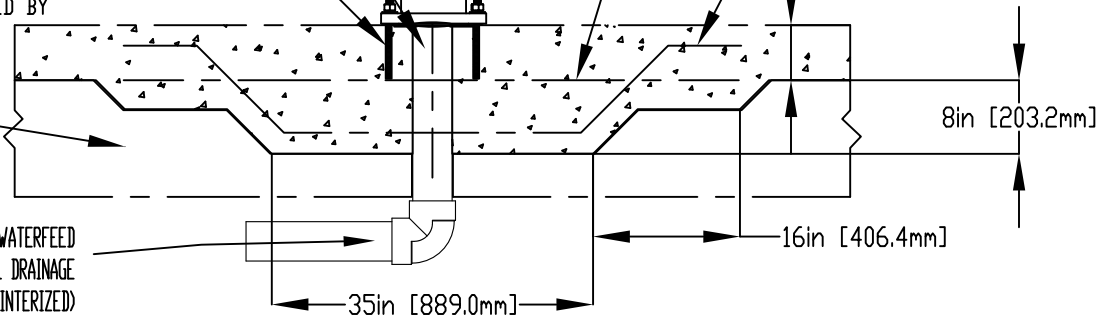
ENSURE LEVEL SURFACE. INSTALL $\phi 6" (150\text{mm}) \times 1/8" (3\text{mm})$ GASKET PROVIDED BY EMPEX

STAINLESS STEEL (316)
5/8" (16mm) THREADED ROD, WASHER, LOCK WASHER, & NUT. THREADED ROD LENGTH 9" (230mm) WITH 6" (150mm) EMBEDMENT. USE MIN. 8 ANCHORS TO BE PROVIDED BY CONTRACTOR.

8- #4 @ 10" (250mm) EACH WAY
4- #4 @ 10" (250mm) EACH WAY

GRANULAR BASE

4" (100mm) PVC SCH 40 WATERFEED TO BE CUT CLOSE TO ALLOW FULL DRAINAGE (WINTERIZED)



Notes: Overall dimensions of toys are approximate.
Approximate Weight: 130lbs / 59.1kgs

© EMPEX WATERTOYS



WATER SUPPLY
400 gpm @ 10 psi
25.2 L/S @ 7m

AQUABRELLO

T886

1/20/2020

SCALE:

Sheet 1 of 1

1

2

3

4