

NOTES:

***RECOMMENDED TO BE INSTALLED ON LEVELLED AREAS ONLY.**

(1) PURGE ALL WATER SUPPLY LINES TO REMOVE SOLIDS PRIOR TO TOY INSTALLATION.

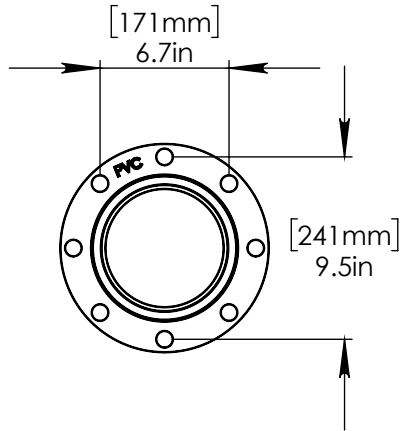
(2) PROVIDE ELECTRICAL BOND WITH POOL REBAR.

(3) INSTALL ALL WATER TOYS PLUMB AND LEVEL.

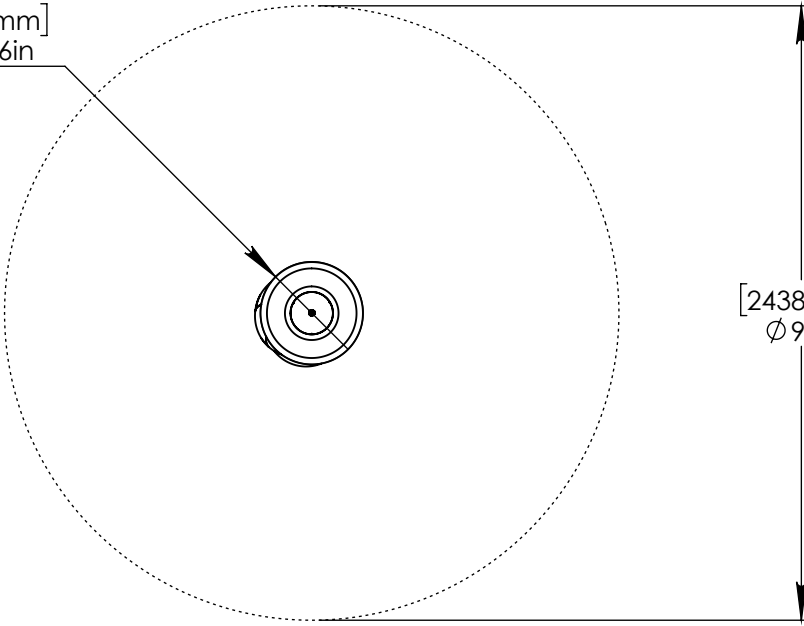
(4) PROVIDE STRAINER UPSTREAM OF TOY WITH MAX 1#32" (0.8mm) PERFORATIONS.

[408mm]
Ø 16in

[2438mm]
Ø 96in



FLANGE MOUNTING DETAIL



[1829mm]
72in

[1187mm]
47in

[203mm]
8in

1/2" (13mm) STAINLESS STEEL (316) THREADED ROD, FENDER WASHER, LOCK WASHER & NUT. SUGGESTED THREADED ROD LENGTH 7" (180mm) WITH 5" (125mm) EMBEDMENT. USE MIN 4 ANCHORS.

2" (50mm)-1" (25mm) Fitting and hose clamp provided by contractor.

EXTEND WATERFEED MIN 8in (200mm) ABOVE POOL SLAB.

2" (50mm) WATERFEED.

Notes: Overall dimensions of toys are approximate.

© EMPEX WATERTOYS



WATER SUPPLY
30 gpm @ 25 psi
1.89L/S @ 17.5m

AQUAZIM

T931

8/22/2018

SCALE:
1:30

Sheet
1 of 1