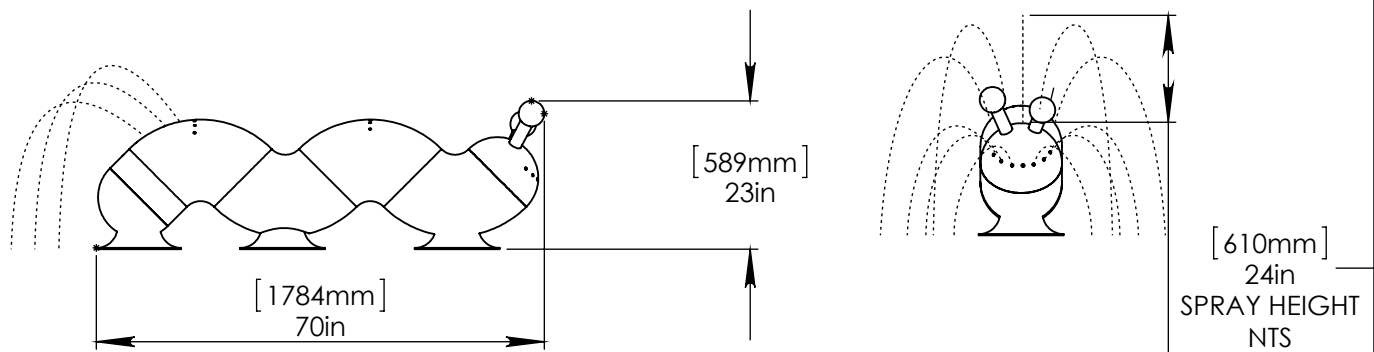
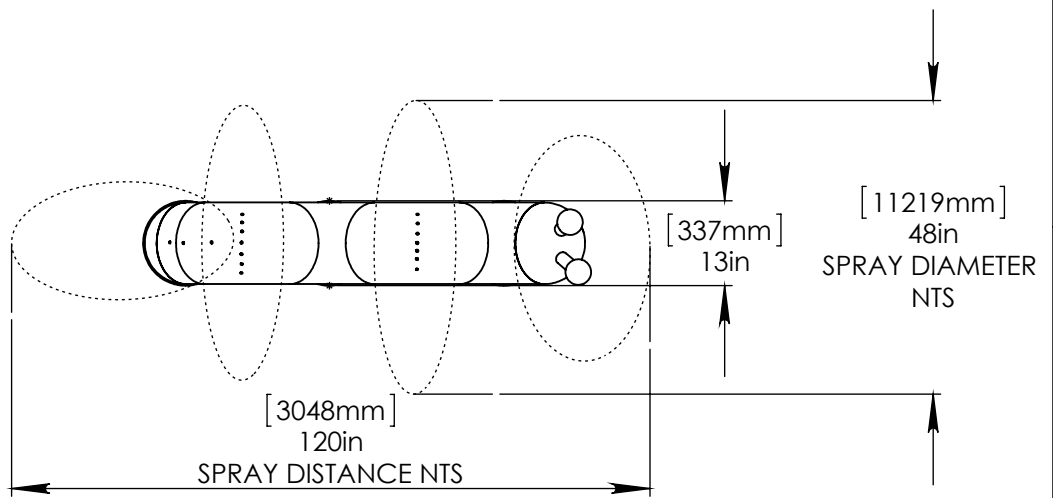


NOTES:

- (1) PROVIDE ELECTRICAL BOND WITH POOL REBAR.
- (2) 2 PART EPOXY MAY BE USED IN LIEU OF INSERT ANCHOR.
- (3) PURGE ALL WATER SUPPLY LINES TO REMOVE SOLIDS PRIOR TO TOY INSTALLATION.
- (4) INSTALL ALL WATER TOYS PLUMB AND LEVEL.
- (5) PROVIDE STRAINER UPSTREAM OF TOY WITH MAX 1/32" (0.8mm) PERFORATIONS.

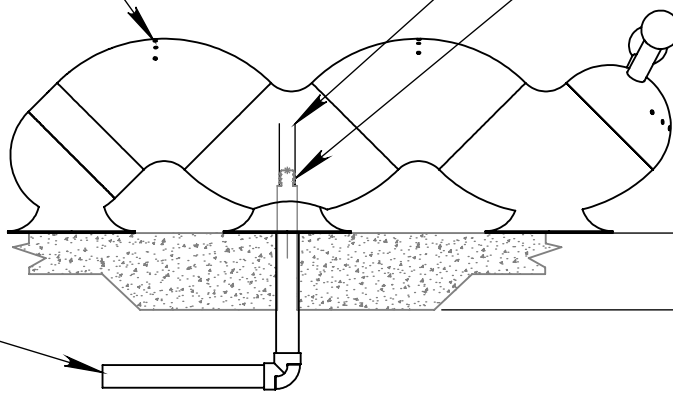


LOWER TOY ONCE FLANGE IS INSTALLED.

1"(25mm) HOSE BARB PROVIDED BY EMPEX.

2"(50mm)-1"(25mm) REDUCER AND HOSE CLAMP PROVIDED BY CONTRACTOR.

2"(50mm) SCH 40 PVC WATERFEED TO BE EXTENDED 8" (200mm) ABOVE SLAB.



Notes: Overall dimensions of toys are approximate.

© EMPEX WATERTOYS



WATER SUPPLY

30 gpm @ 25 psi
1.89L/S @17.5m

AQUAPILLAR

TR270

11/7/2014

SCALE:
1:30

Sheet
1 of 1