

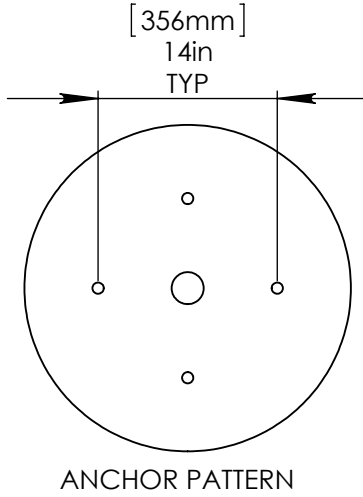
NOTES:

(1) PURGE ALL WATER SUPPLY LINES TO REMOVE SOLIDS PRIOR TO TOY INSTALLATION.

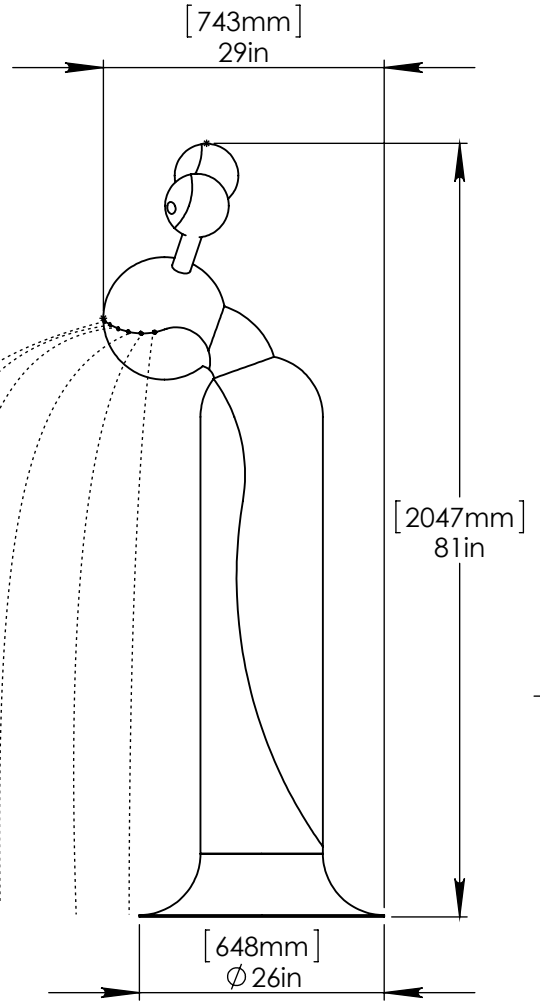
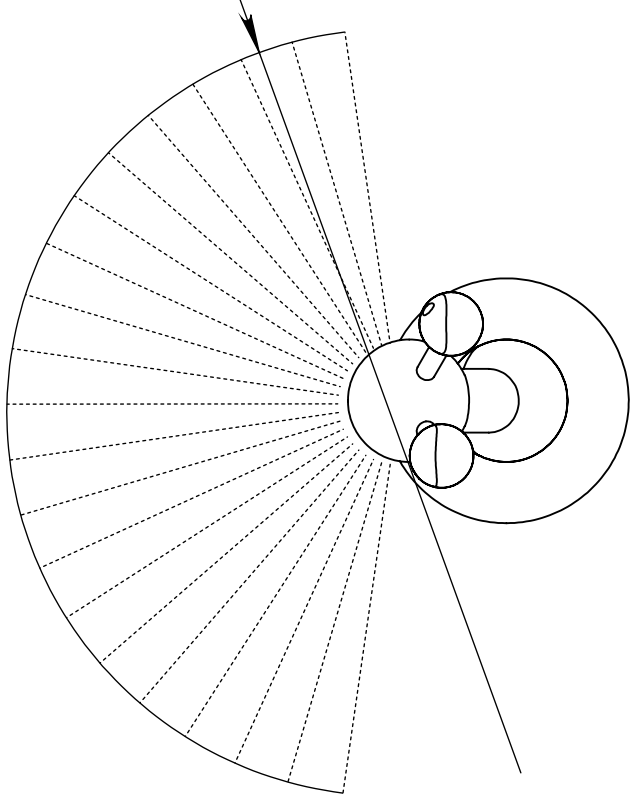
(2) PROVIDE ELECTRICAL BOND WITH POOL REBAR.

(3) INSTALL ALL WATER TOYS PLUMB AND LEVEL.

(4) PROVIDE STRAINER UPSTREAM OF TOY WITH MAX 1/32" (0.8mm) PERFORATIONS.



[3048mm]  
Ø 120in  
SPRAY DIAMETER NTS



LOWER TOY ONCE BASE IS ANCHORED TO THE GROUND.

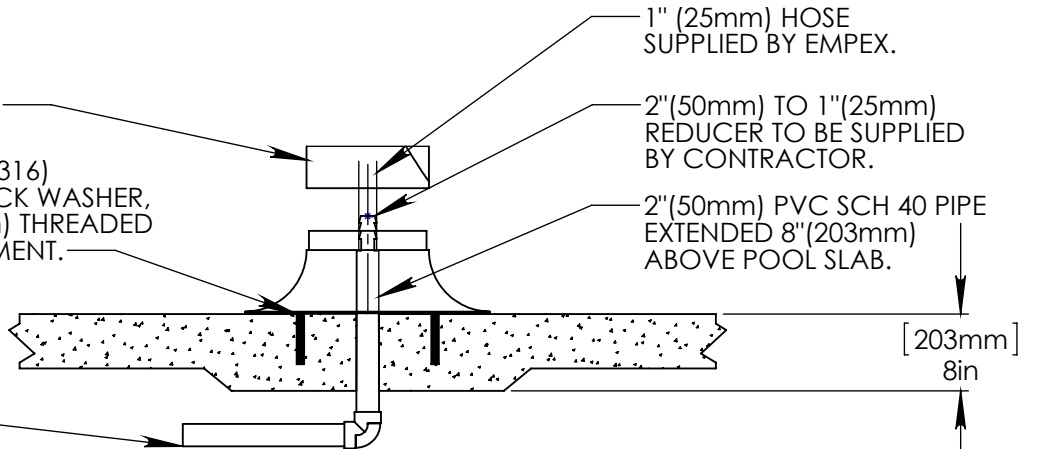
1/2" (13mm) STAINLESS STEEL (316) THREADED ROD, WASHER, LOCK WASHER, & NUT. SUGGESTED 7" (180mm) THREADED ROD WITH 6" (150mm) EMBEDMENT.

2" (50mm) PVC SCH 40 WATER FEED.

1" (25mm) HOSE SUPPLIED BY EMPEX.

2" (50mm) TO 1" (25mm) REDUCER TO BE SUPPLIED BY CONTRACTOR.

2" (50mm) PVC SCH 40 PIPE EXTENDED 8" (203mm) ABOVE POOL SLAB.



Notes: Overall dimensions of toys are approximate.

© EMPEX WATERTOYS



WATER SUPPLY  
30 gpm @ 25 psi  
1.89L/S @ 17.5m

# AQUAHOPPER

TR273L

11/5/2014

SCALE:  
1:20

Sheet  
1 of 1