

1

2

3

4

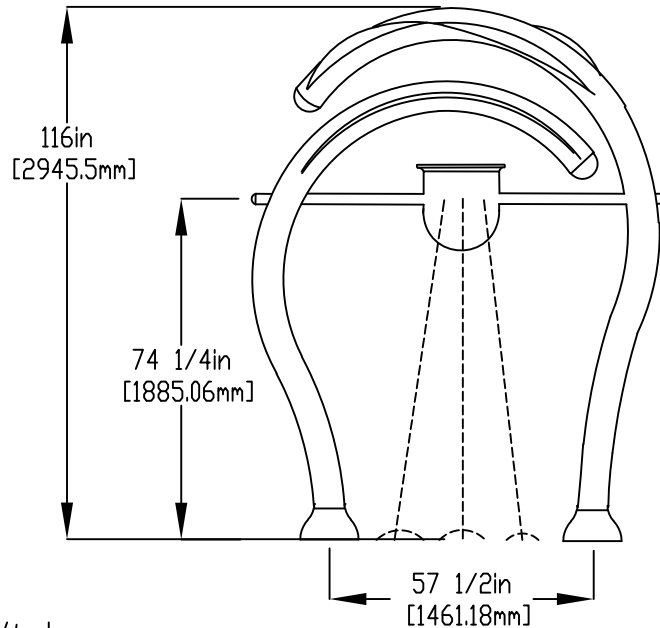
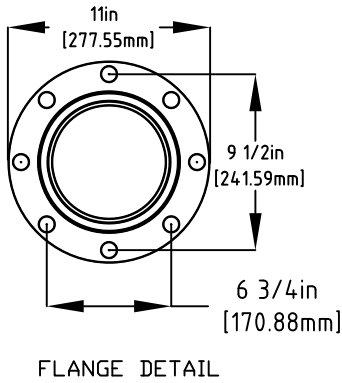
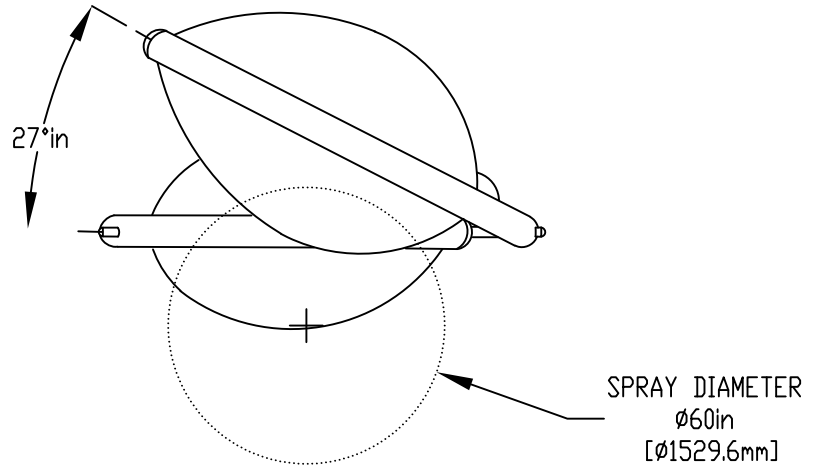
NOTES:

(1) PURGE ALL WATER SUPPLY LINES TO REMOVE SOLIDS PRIOR TO TOY INSTALLATION.

(2) PROVIDE ELECTRICAL BOND WITH POOL REBAR.

(3) INSTALL ALL WATER TOYS PLUMB AND LEVEL.

(4) PROVIDE STRAINER UPSTREAM OF TOY WITH MAX 1/32" (0.8mm) PERFORATIONS.

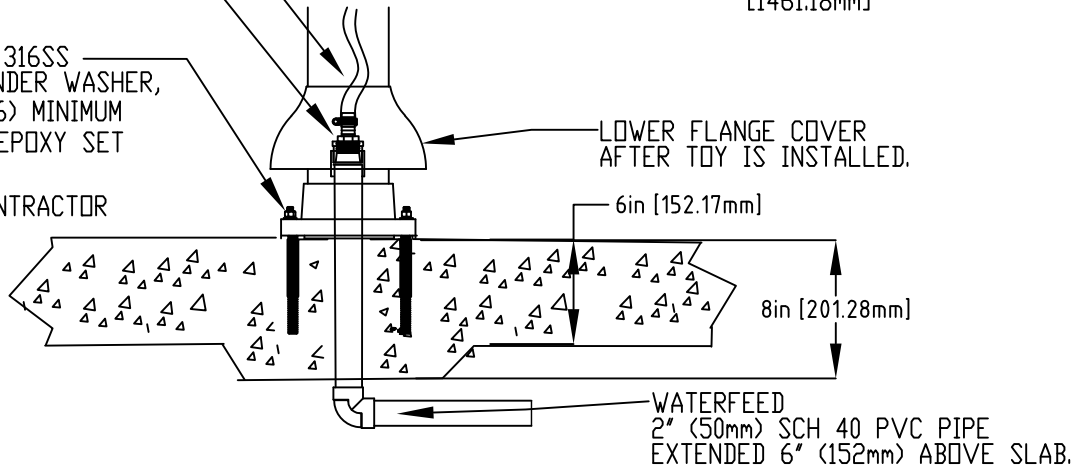


1" (25mm) FLEX HOSE PROVIDED BY EMPEX

2" (50mm) COUPLING
2" (50mm) - 1" (25mm) REDUCER
1" (25mm) HOSE BARB C/W SS CLAMP TO BE PROVIDED BY CONTRACTOR

5/8" (16mm) X 9" (229mm) 316SS THREADED ROD, C/W FENDER WASHER, LOCK WASHER & NUT (X6) MINIMUM 6" (152mm) EMBEDMENT, EPOXY SET ANCHOR ADHESIVE TO BE PROVIDED BY CONTRACTOR

LOWER FLANGE COVER AFTER TOY IS INSTALLED.



Notes: Overall dimensions of toys are approximate.

© EMPEX WATERTOYS

WATER SUPPLY

30 gpm @ 25 psi
1.89 L/S @17.5m

AQUALEAF

TR345

24/03/2022

SCALE:

Sheet
1 of 1

1

2

3

4