

1

2

3

4

NOTES:

- (1) PURGE ALL WATER SUPPLY LINES TO REMOVE SOLIDS PRIOR TO TOY INSTALLATION.
- (2) PROVIDE ELECTRICAL BOND WITH POOL REBAR.
- (3) INSTALL ALL WATER TOYS PLUMB AND LEVEL.
- (4) PROVIDE STRAINER UPSTREAM OF TOY WITH MAX #32" (0.8mm) PERFORATIONS.

A

A

B

B

C

C

D

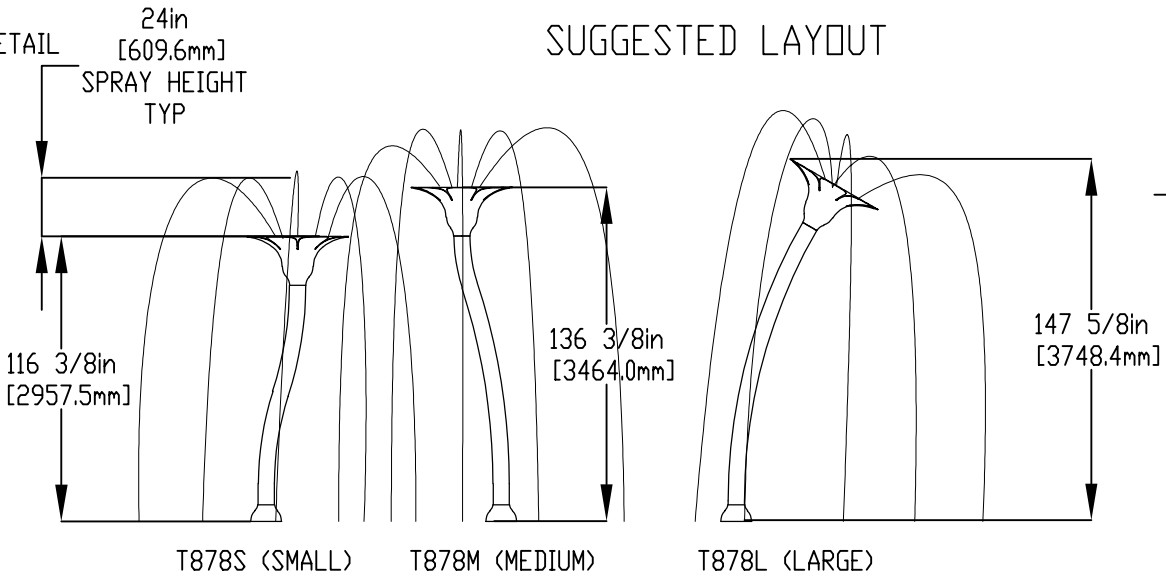
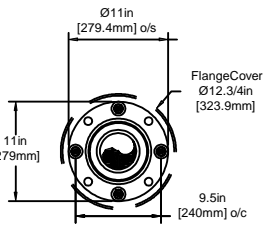
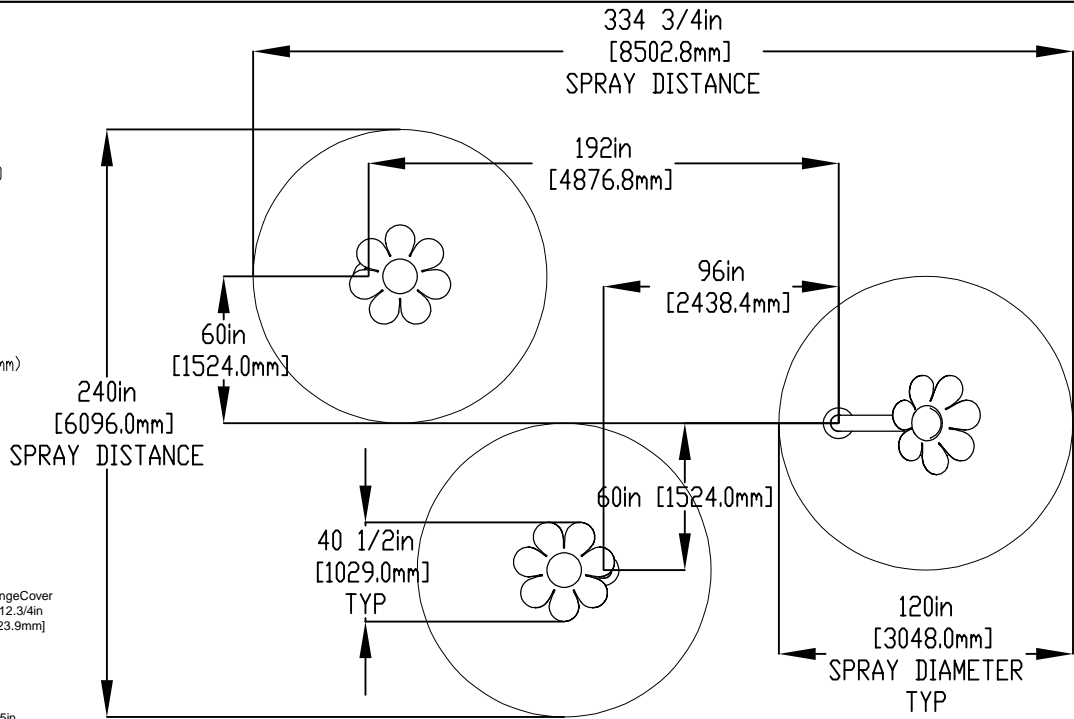
D

E

E

F

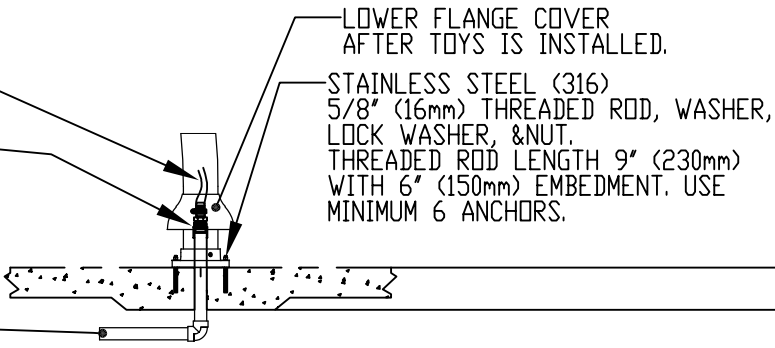
F



1" (25mm) FLEX HOSE PROVIDED BY EMPEX.

2" (50mm) COUPLING
 2" (50mm)-1" (25mm) REDUCER
 1" (25mm) HOSEBARB W/SS CLAMP PROVIDED BY CONTRACTOR

2" (50mm) SCH 40 PVC WATERFEED TO BE EXTENDED 8" (200mm) ABOVE SLAB.



TYP INSTALLATION DETAIL

8 in [203.2mm]

Notes: Overall dimensions of toys are approximate.

© EMPEX WATERTOYS



WATER SUPPLY
 30 gpm @ 25 psi
 1.89L/S @17.5m (EACH TOY)

AQUAFLUER-POPPY TRIO

TR878-3

13/01/2021

SCALE:

Sheet 1 of 1

1

2

3

4