

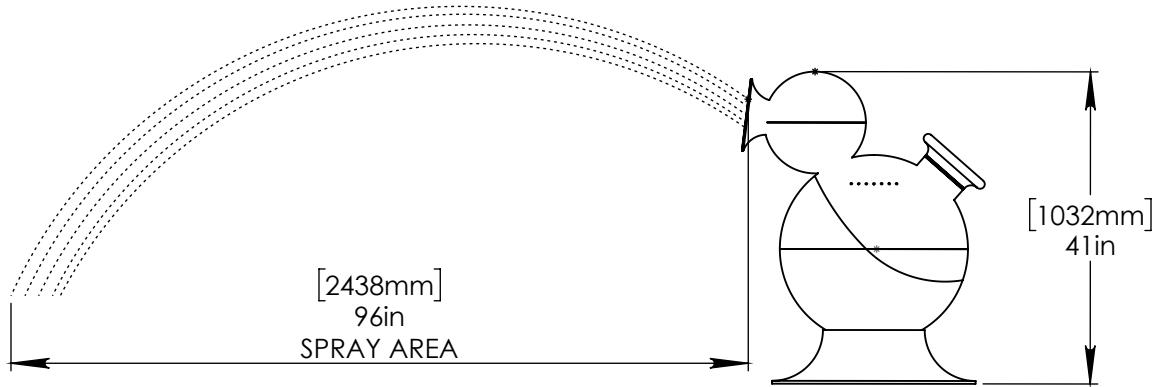
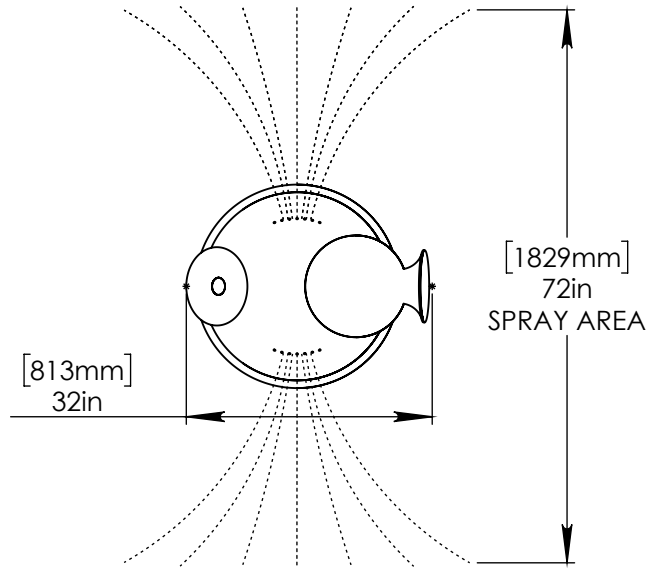
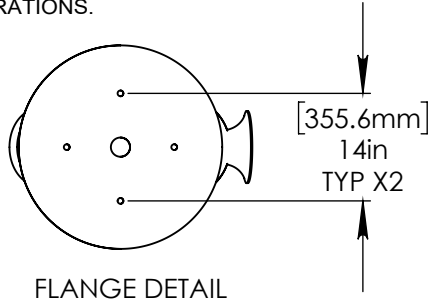
NOTES:

(1) PURGE ALL WATER SUPPLY LINES TO REMOVE SOLIDS PRIOR TO TOY INSTALLATION.

(2) PROVIDE ELECTRICAL BOND WITH POOL REBAR.

(3) INSTALL ALL WATER TOYS PLUMB AND LEVEL.

(4) PROVIDE STRAINER UPSTREAM OF TOY WITH MAX 1/32" (0.8mm) PERFORATIONS.



AFTER WATER CONNECTION IS COMPLETE, BOLT DOME TO AQUAQUAK BASE.

2"(50mm)-1"(25mm) FITTING AND HOSE CLAMP PROVIDED BY CONTRACTOR.

1"(25mm) FLEX HOSE PROVIDED BY EMPEX.

STAINLESS STEEL (316) THREADED ROD, LOCK WASHER WASHER, & NUT. THREADED ROD LENGTH 7" (180mm) WITH 6" (150mm) EMBEDMENT.

[203mm]  
8in

2"(50mm) SCH 40 PVC WATERFEED TO BE EXTENDED 8"(200mm) ABOVE SLAB.



Notes: Overall dimensions of toys are approximate.

© EMPEX WATERTOYS

WATER SUPPLY  
30 gpm @ 25 psi  
1.89L/S @ 17.5m

# AQUADUK WITH DIVERTER

**TR952-D**

8/5/2016

SCALE:  
1:25

Sheet  
1 of 1