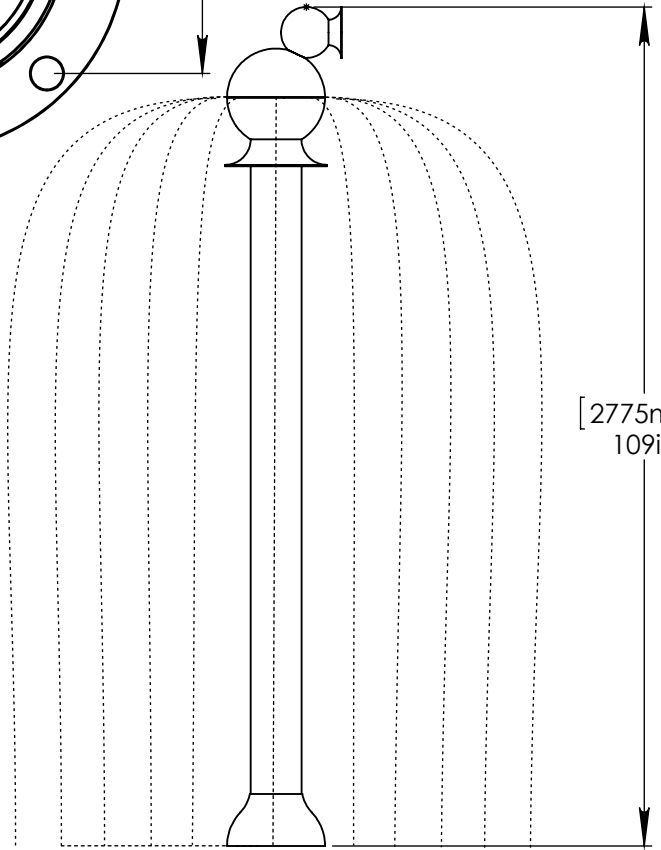
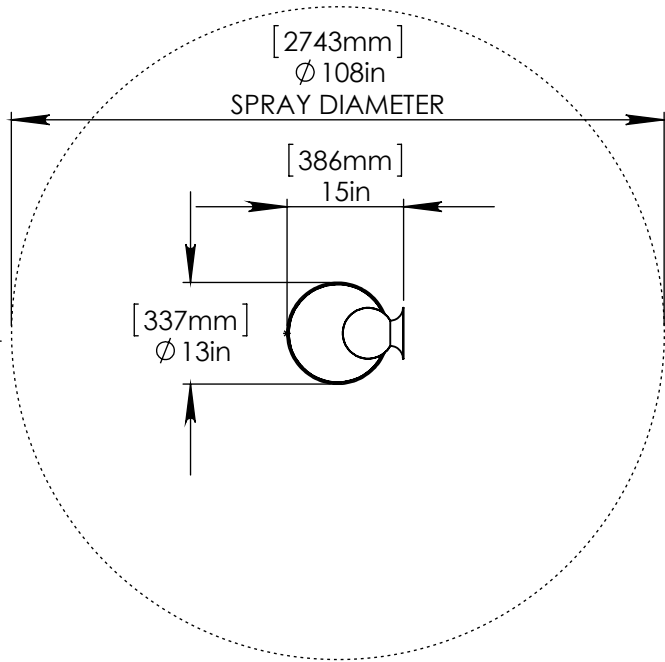
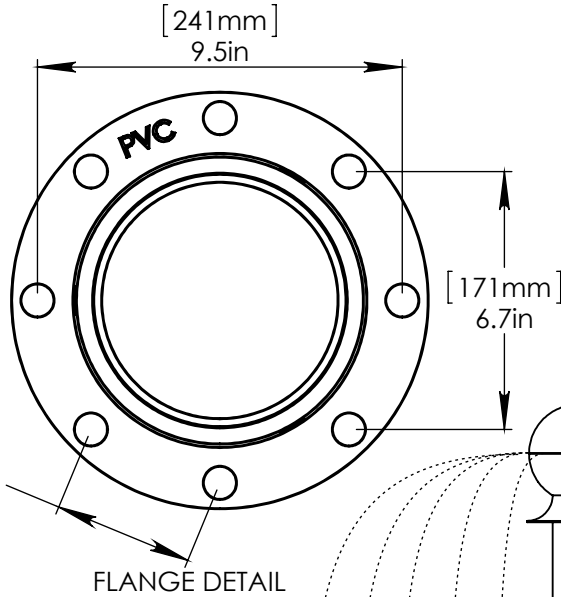


NOTES:

- (1) PURGE ALL WATER SUPPLY LINES TO REMOVE SOLIDS PRIOR TO TOY INSTALLATION.
- (2) PROVIDE ELECTRICAL BOND WITH POOL REBAR.
- (3) INSTALL ALL WATER TOYS PLUMB AND LEVEL.
- (4) PROVIDE STRAINER UPSTREAM OF TOY WITH MAX 1#32" (0.8mm) PERFORATIONS.



LOWER FLANGE COVER AFTER TOY IS INSTALLED.

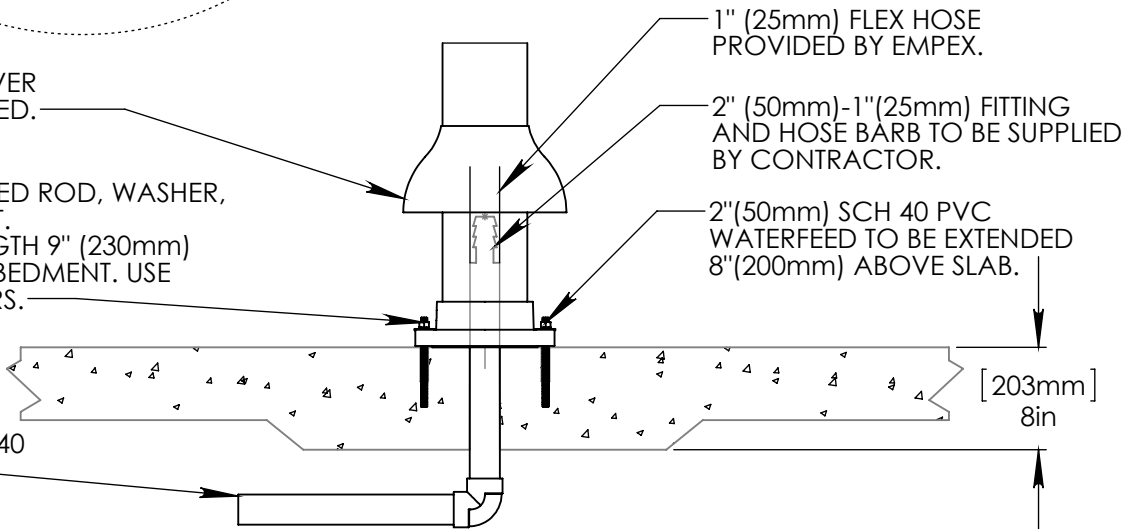
STAINLESS STEEL (316)  
 5/8" (16mm) THREADED ROD, WASHER,  
 LOCK WASHER, & NUT.  
 THREADED ROD LENGTH 9" (230mm)  
 WITH 6" (150mm) EMBEDMENT. USE  
 MINIMUM 6 ANCHORS.

1" (25mm) FLEX HOSE PROVIDED BY EMPEX.

2" (50mm)-1" (25mm) FITTING AND HOSE BARB TO BE SUPPLIED BY CONTRACTOR.

2" (50mm) SCH 40 PVC WATERFEED TO BE EXTENDED 8" (200mm) ABOVE SLAB.

2" (50mm) PVC SCH 40 WATER FEED



Notes: Overall dimensions of toys are approximate.

© EMPEX WATERTOYS



WATER SUPPLY  
 30 gpm @ 25 psi  
 1.89 L/S @ 17.5m

# AQUADUK SMALL

TR952S

11/5/2014

SCALE:  
1:25

Sheet  
1 of 1