

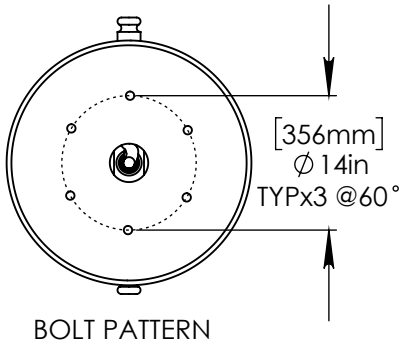
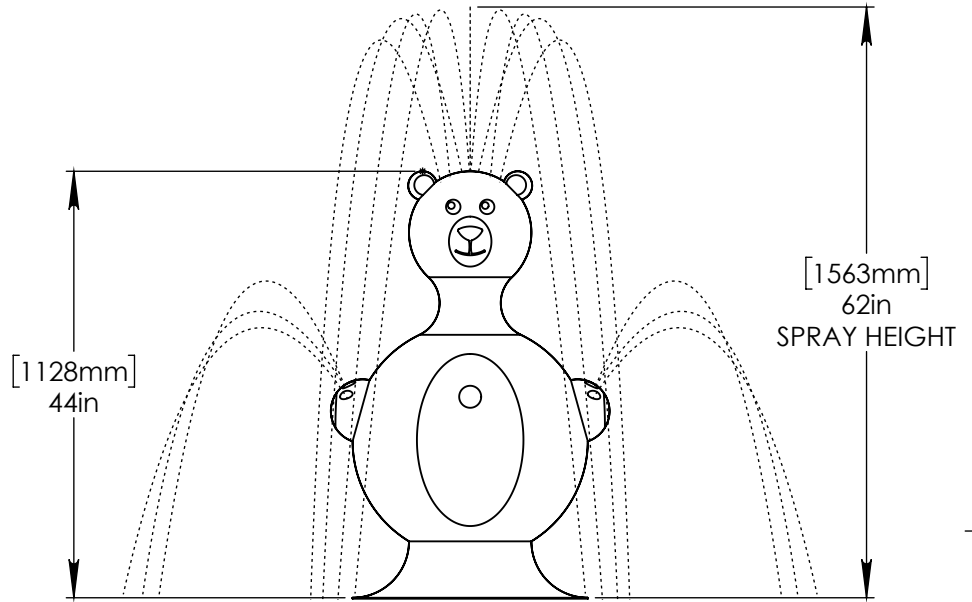
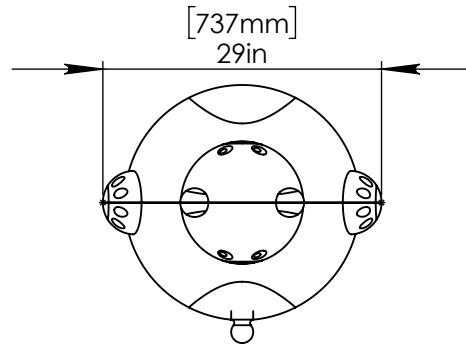
NOTES:

(1) PURGE ALL WATER SUPPLY LINES TO REMOVE SOLIDS PRIOR TO TOY INSTALLATION.

(2) PROVIDE ELECTRICAL BOND WITH POOL REBAR.

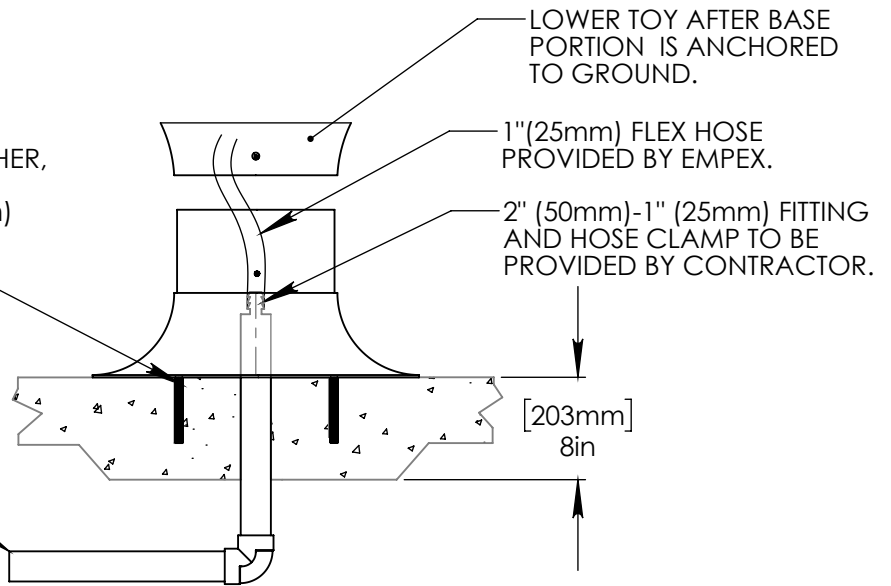
(3) INSTALL ALL WATER TOYS PLUMB AND LEVEL.

(4) PROVIDE STRAINER UPSTREAM OF TOY WITH MAX 1#32" (0.8mm) PERFORATIONS.



STAINLESS STEEL (316)
 5/8" (16mm) THREADED ROD, WASHER,
 LOCK WASHLET, & NUT.
 THREADED ROD LENGTH 7" (180mm)
 WITH 6" (150mm) EMBEDMENT.
 USE MINIMUM 6 ANCHORS.

2" (50mm) SCH 40 PVC
 WATERFEED TO BE EXTENDED
 8" (200mm) ABOVE SLAB.



Notes: Overall dimensions of toys are approximate.

© EMPEX WATERTOYS



WATER SUPPLY
 30 gpm @ 25 psi
 1.89L/S @ 17.5m

AQUAGRIZ

Z211

1/19/2018

SCALE:
1:25

Sheet
1 of 1