

1

2

3

4

NOTES:

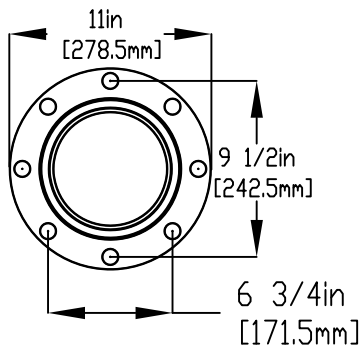
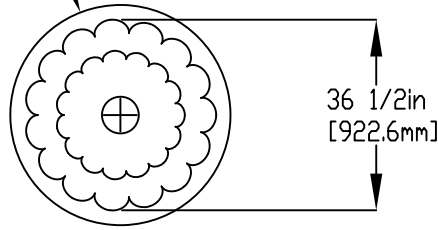
(1) PURGE ALL WATER SUPPLY LINES TO REMOVE SOLIDS PRIOR TO TOY INSTALLATION.

(2) PROVIDE ELECTRICAL BOND WITH POOL REBAR.

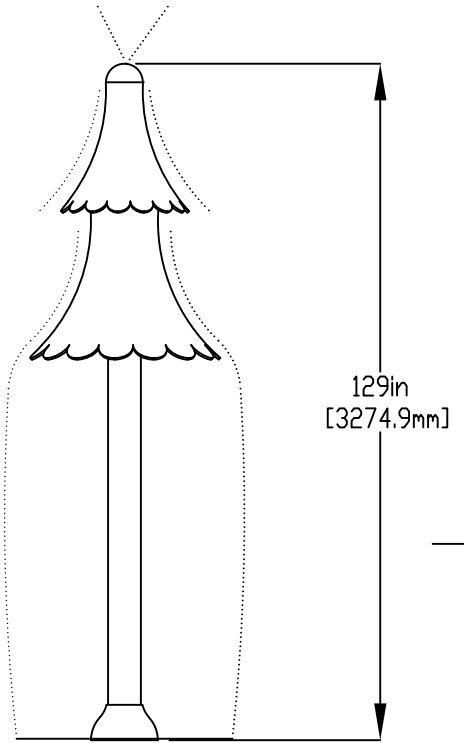
(3) INSTALL ALL WATER TOYS PLUMB AND LEVEL.

(4) PROVIDE STRAINER UPSTREAM OF TOY WITH MAX 1/32" (0.8mm) PERFORATIONS.

Ø42
[Ø1067]
SPRAY AREA



FLANGE DETAIL

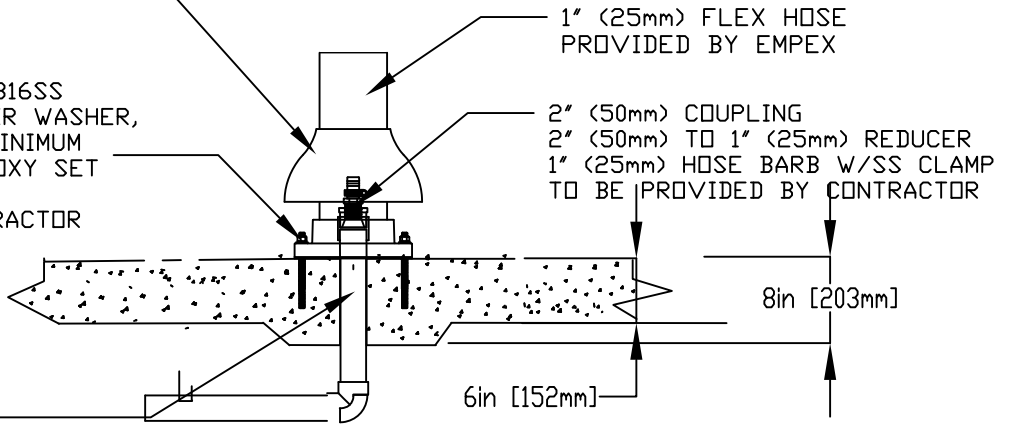


LOWER FLANGE
COVERS AFTER TOY
IS INSTALLED

1/2" (13mm) X 8" (203mm) 316SS
THREADED ROD, C/W FENDER WASHER,
LOCK WASHER & UT (X4) MINIMUM
6" (152mm) EMBEDMENT, EPOXY SET
ANCHOR ADHESIVE
TO BE PROVIDED BY CONTRACTOR

1" (25mm) FLEX HOSE
PROVIDED BY EMPEX

2" (50mm) COUPLING
2" (50mm) TO 1" (25mm) REDUCER
1" (25mm) HOSE BARB W/SS CLAMP
TO BE PROVIDED BY CONTRACTOR



WATERFEED
2" (50mm) PVC SCH 40 PIPE
EXTENDED 6" (152mm) ABOVE SLAB.

A

A

B

B

C

C

D

D

E

E

F

F



Notes: Overall dimensions of toys are approximate.

© EMPEX WATERTOYS

WATER SUPPLY

70 gpm @ 25 psi
4.4 L/S @ 17.5m

AQUAPINE SMALL

AN113S

3/30/2023

SCALE:
1:35

Sheet
1 of 1

1

2

3

4