

1

2

3

4

NOTES:

(1) PURGE ALL WATER SUPPLY LINES TO REMOVE SOLIDS PRIOR TO TOY INSTALLATION.

(2) PROVIDE ELECTRICAL BOND WITH POOL REBAR.

(3) INSTALL ALL WATER TOYS PLUMB AND LEVEL.

(4) PROVIDE STRAINER UPSTREAM OF TOY WITH MAX 1/32" (0.8mm) PERFORATIONS.

A

B

C

D

E

F

A

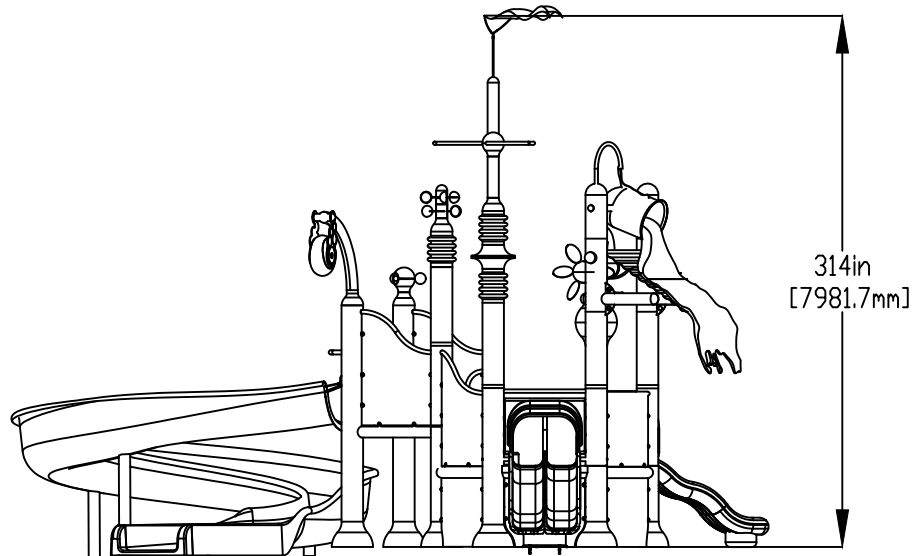
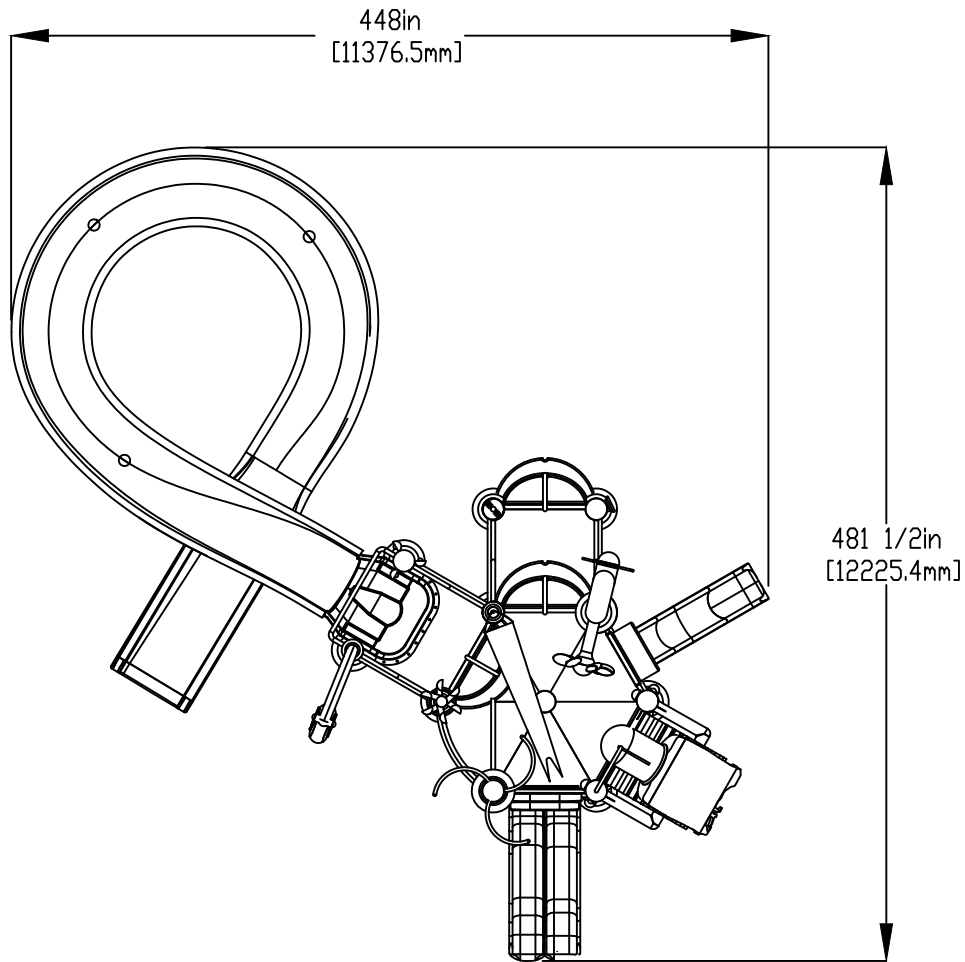
B

C

D

E

F



Notes: Overall dimensions of toys are approximate.

© EMPEX WATERTOYS

WATER SUPPLY  
 430 gpm @ 25 psi  
 27.11 L/S @17.5m

AQUADEK

C610-CR-1S

5/25/2023

SCALE:

Sheet 1 of 3

1

2

3

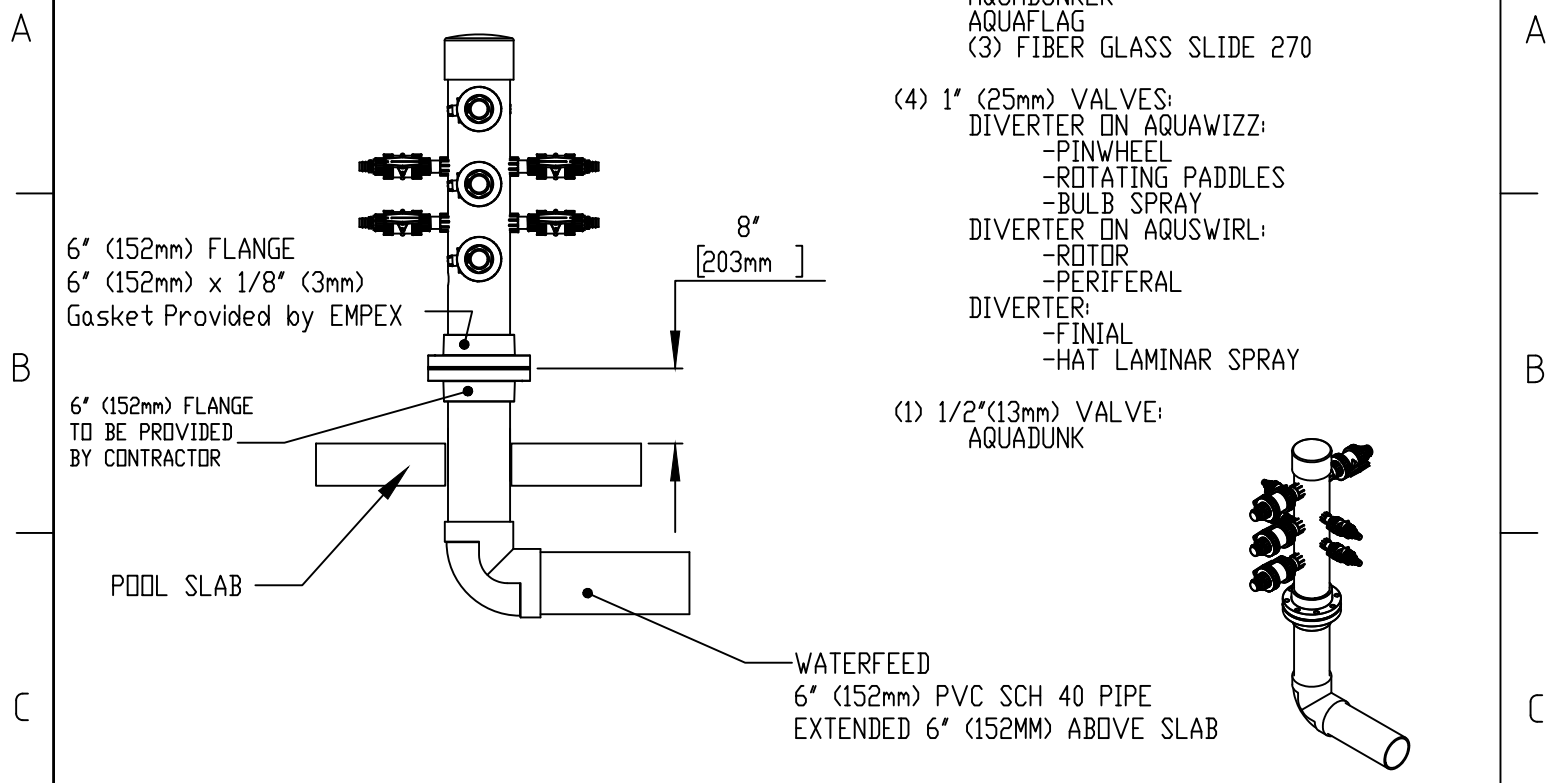
4

MANIFOLD PROVIDED BY EMPEX

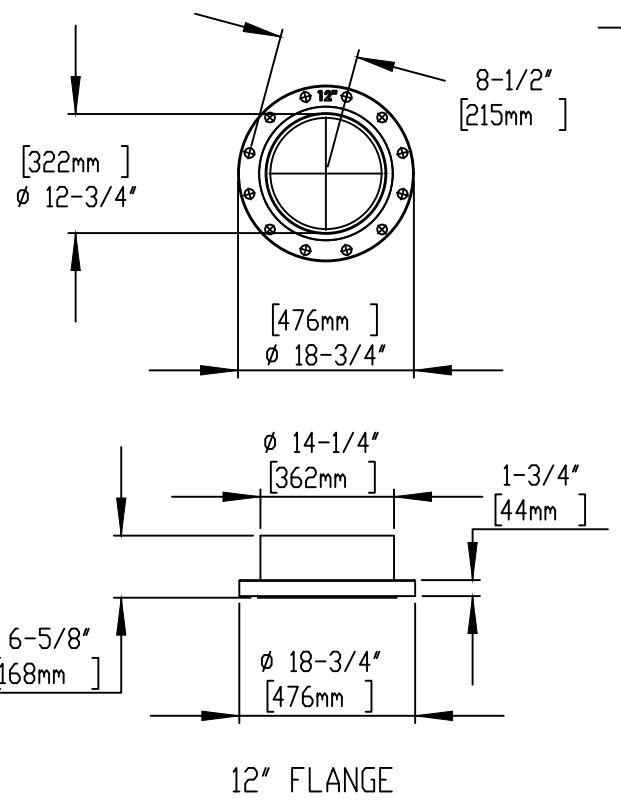
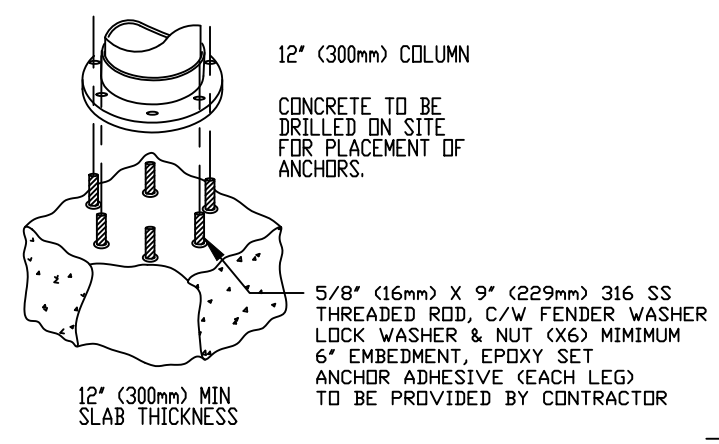
- (2) 2" (50mm) VALVES:  
AQUADUNKER  
AQUAFLAG
- (3) FIBER GLASS SLIDE 270

- (4) 1" (25mm) VALVES:  
DIVERTER ON AQUAWIZZ:  
-PINWHEEL  
-ROTATING PADDLES  
-BULB SPRAY
- DIVERTER ON AQUASWIRL:  
-ROTOR  
-PERIFERAL
- DIVERTER:  
-FINIAL  
-HAT LAMINAR SPRAY

- (1) 1/2" (13mm) VALVE:  
AQUADUNK

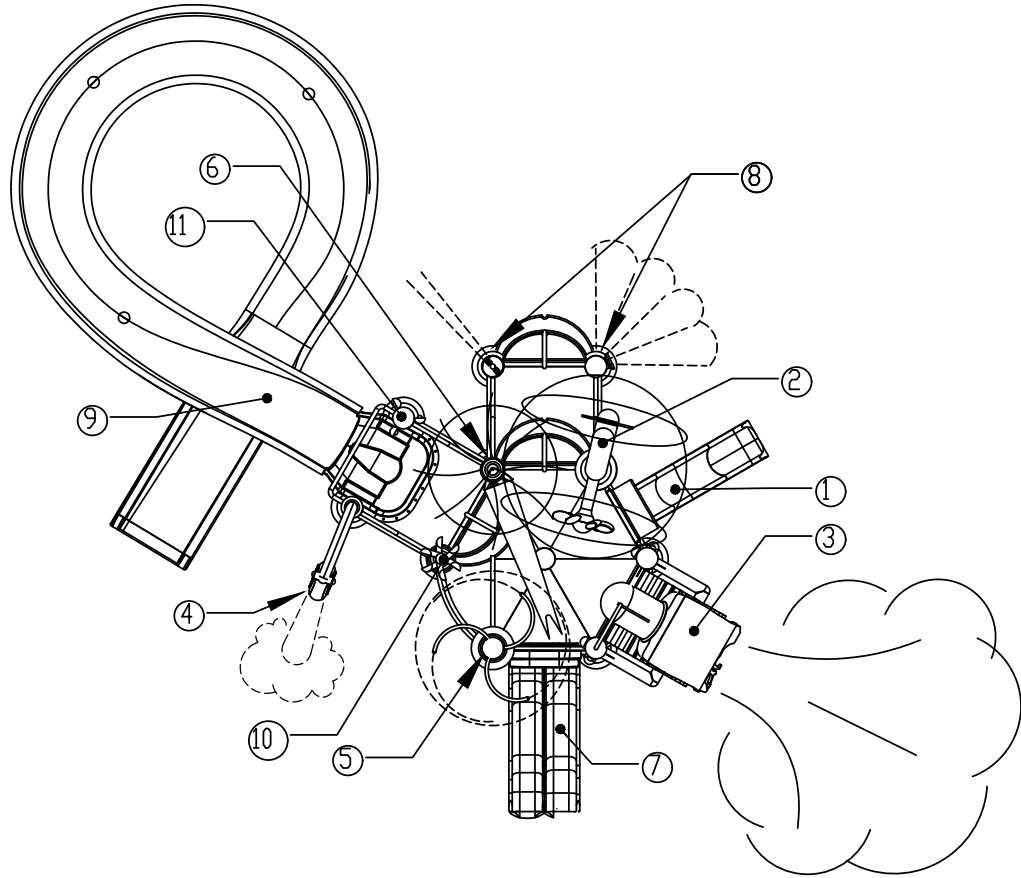


COLUMN INSTALLATION DETAILS



	Notes: Overall dimensions of toys are approximate.		© EMPEX WATERTOYS		
	WATER SUPPLY		AQUADEK		
	430 gpm @ 25 psi 27.11 L/S @17.5m		C610-CR-1S	5/25/2023	SCALE: Sheet 2 of 3

# WATER FEATURES



No.	Water Play Feature	Description	No. Events
1	Wave Slide	Polyethelene slide	1
2	K301 Aquawizz	3-way diverter 1) turning pinwheel 2) rotating paddles 3) bulb periferal spray	1 1 1
3	K024 Aquadunker	High level tipping bucket	1
4	T816 Aquadunk	Small tipping bucket	1
5	K303 Aquaswirl	2-way diverter 1) Whirling rotor spray 2) Periferal laminar jets	1 1
6	AF102 Aquafrog	Spiral water jets	1
7	Triple rail slide	Polyethelene dual slide	1
8	Finials	2-way diverter 1) 90 degree laminar sprays 2) Hat laminar spray	1 1
9	Big slide 270	Fiberglass slide	1
10	Counter spinner		0
11	Triclops spinner		0
<b>TOTAL</b>			<b>13</b>



Notes: Overall dimensions of toys are approximate.

© EMPEX WATERTOYS

WATER SUPPLY

430 gpm @ 25 psi  
27.11 L/S @17.5m

AQUADEK

C610-CR-1S

5/25/2023

SCALE:

Sheet  
3 of 3