

1

2

3

4

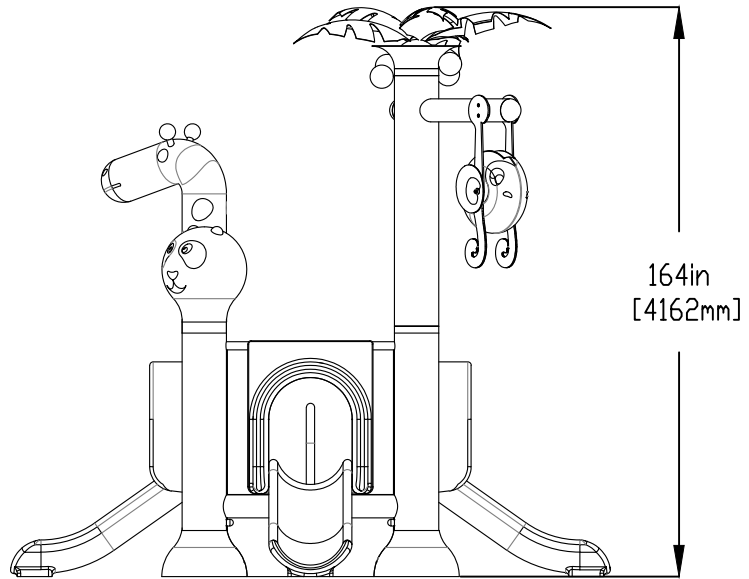
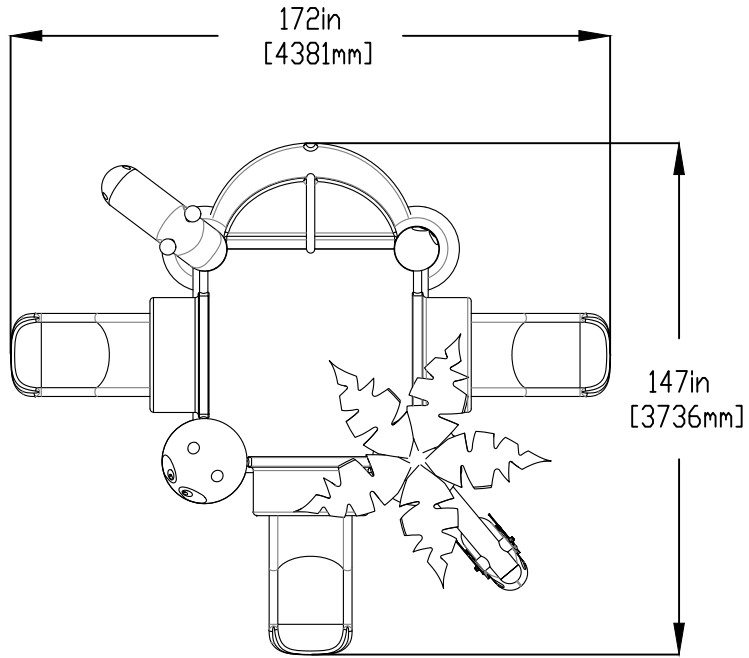
NOTES:

(1) PURGE ALL WATER SUPPLY LINES TO REMOVE SOLIDS PRIOR TO TOY INSTALLATION.

(2) PROVIDE ELECTRICAL BOND WITH POOL REBAR.

(3) INSTALL ALL WATER TOYS PLUMB AND LEVEL.

(4) PROVIDE STRAINER UPSTREAM OF TOY WITH MAX 1/32" (0.8mm) PERFORATIONS.



Notes: Overall dimensions of toys are approximate.

© EMPEX WATERTOYS

WATER SUPPLY

100 gpm @ 25 psi
6.3 L/S @17.5m

AQUADEK

T210-Z-3S

12/1/2014

Sheet
1 of 3

1

2

3

4

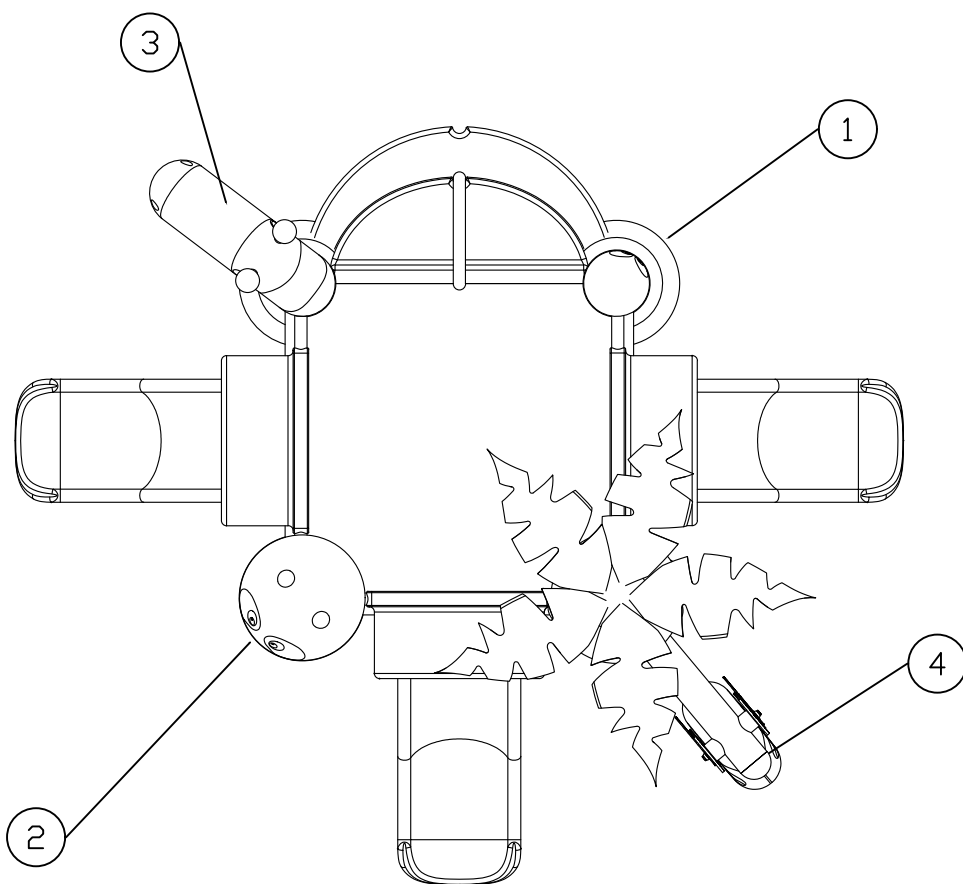
NOTES:

(1) PURGE ALL WATER SUPPLY LINES TO REMOVE SOLIDS PRIOR TO TOY INSTALLATION.

(2) PROVIDE ELECTRICAL BOND WITH POOL REBAR.

(3) INSTALL ALL WATER TOYS PLUMB AND LEVEL.

(4) PROVIDE STRAINER UPSTREAM OF TOY WITH MAX 1/32" (0.8mm) PERFORATIONS.



	Toy	Description	No. Event	MAX GPM	MAX Ltps
1	Aquahoot	Laminar Spray	1	30	1.89
2	Aquapanda	Laminar Spray	1	30	1.89
3	Aquaraffe	Laminar Spray	1	30	1.89
4	Tippin' - Monkey	High Level Water Drops	1	10	0.63
	Landing Pad	Optional (not included with Dek)			
	TOTALS		4	100	6.3



Notes: Overall dimensions of toys are approximate.

© EMPEX WATERTOYS

WATER SUPPLY

100 gpm @ 25 psi
6.3 L/S @17.5m

AQUADEK

T210-Z-3S

17/05/2023

SCALE:

Sheet
2 of 3

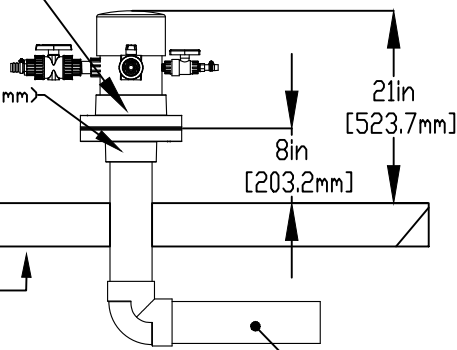
EMPEX PROVIDED MANIFOLD

6" (152mm) FLANGE PLUS
6" (152mm) X 1/8" (3mm) GASKET
PROVIDED BY EMPEX

6" (152mm) - 4" (102mm)
REDUCER FLANGE
TO BE PROVIDED
BY CONTRACTOR

POOL SLAB

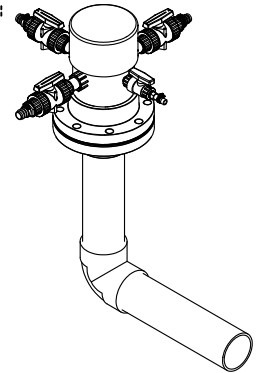
FLANGE DETAIL



WATERFEED
4" (100mm) PVC SCH 40 PIPE
EXTENDED 6" (152mm) ABOVE SLAB

(3) 1" (25mm) VALVES:
AQUAPANDA
AQUARAFFE
AQUAHOOT

(1) 1/2" (13mm) VALVE:
TIPPIN VESSEL



A

B

C

D

E

F

A

B

C

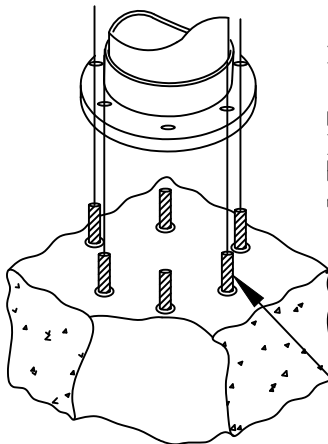
D

E

F

12" (300mm) COLUMN

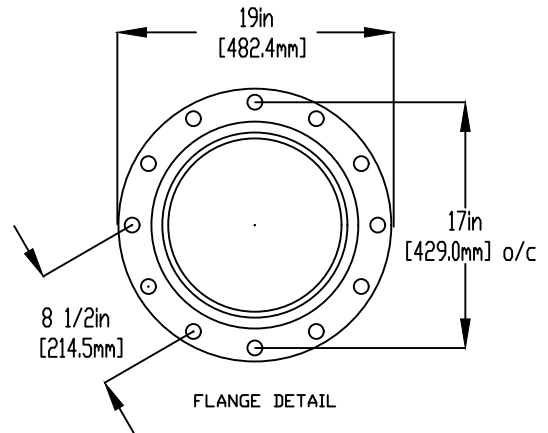
CONCRETE TO BE
DRILLED ON SITE
FOR PLACEMENT OF
ANCHORS.



12" (300mm) MIN
SLAB THICKNESS

5/8 (16mm) X 11" (280mm) 316SS
THREADED ROD, C/W FENDER WASHER
LOCKWASHER & NUT (X6) MINIMUM
EMBEDMENT 7" (178mm) EPOXY SET
ANCHOR ADHESIVE
TO BE PROVIDED BY CONTRACTOR

FLANGE DETAIL



FLANGE DETAIL

1 1/4in
[32.2mm]

6 5/8in
[168.3mm]

Notes: Overall dimensions of toys are approximate.

© EMPEX WATERTOYS



WATER SUPPLY

100 gpm @ 25 psi
6.3 L/S @ 17.5m

AQUADEK

T210-Z-3S

17/05/2023

SCALE:

Sheet
3 of 3