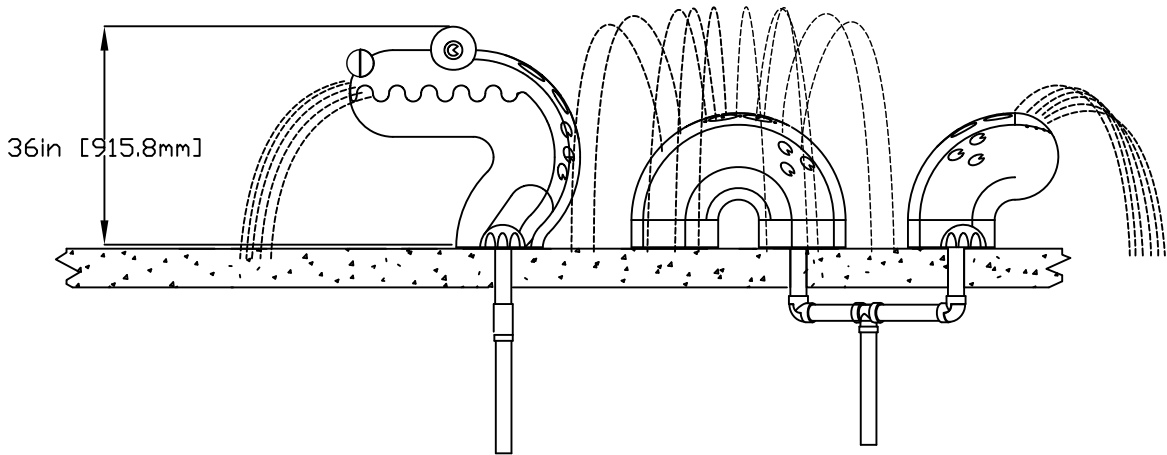
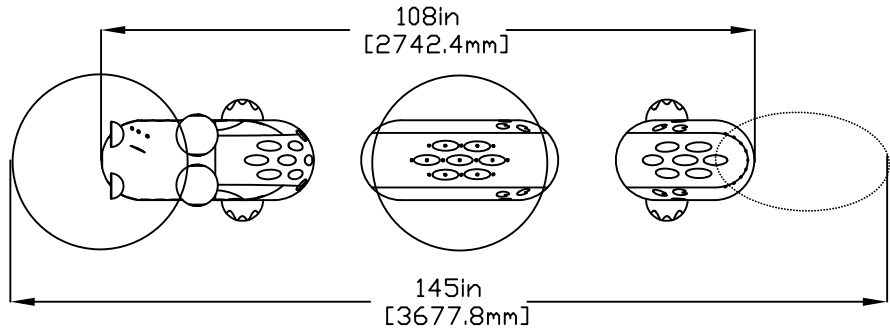


NOTES:

- (1) PURGE ALL WATER SUPPLY LINES TO REMOVE SOLIDS PRIOR TO TOY INSTALLATION.
- (2) PROVIDE ELECTRICAL BOND WITH POOL REBAR.
- (3) INSTALL ALL WATER TOYS PLUMB AND LEVEL.
- (4) PROVIDE STRAINER UPSTREAM OF TOY WITH MAX 1/32" (0.8mm) PERFORATIONS.



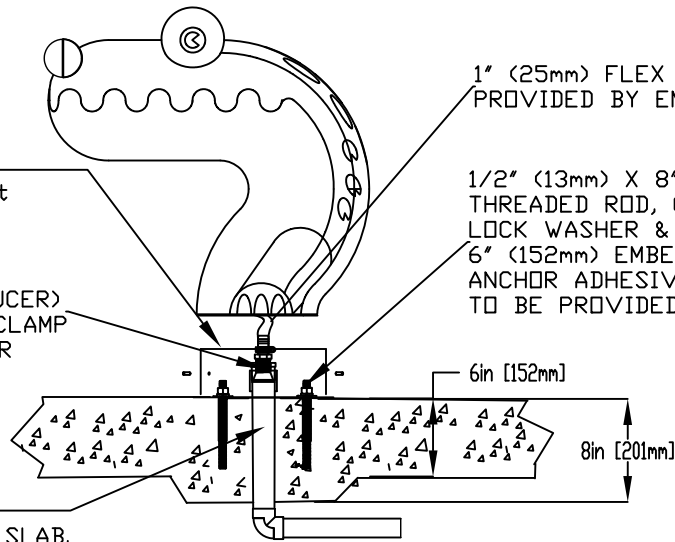
- 1. Bolt insert sleeve
- 2. Make Plumbing connection
- 3. Lower Toy & Bolt to Insert

2" (50mm) COUPLING
 2" (50mm) TO 1-1/2" (38mm) REDUCER
 1-1/2" (38mm) HOSEBARB W/SS CLAMP
 TO BE PROVIDED BY CONTRACTOR

1" (25mm) FLEX HOSE
 PROVIDED BY EMPEX

1/2" (13mm) X 8" (203mm) 316SS
 THREADED ROD, C/W FENDER WASHER,
 LOCK WASHER & NUT (X6) MINIMUM
 6" (152mm) EMBEDMENT, EPOXY SET
 ANCHOR ADHESIVE
 TO BE PROVIDED BY CONTRACTOR

WATERFEED
 2" (50mm) PVC SCH 40 PIPE
 EXTENDED 6" (152mm) ABOVE SLAB.



Notes: Overall dimensions of toys are approximate.

© EMPEX WATERTOYS

WATER SUPPLY
 30 gpm @ 25 psi
 1.89L/S @17.5m

AQUACROC

Z321

106/06/2023

SCALE:

Sheet
 1 of 1