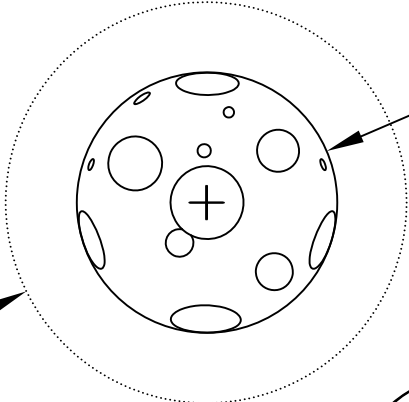


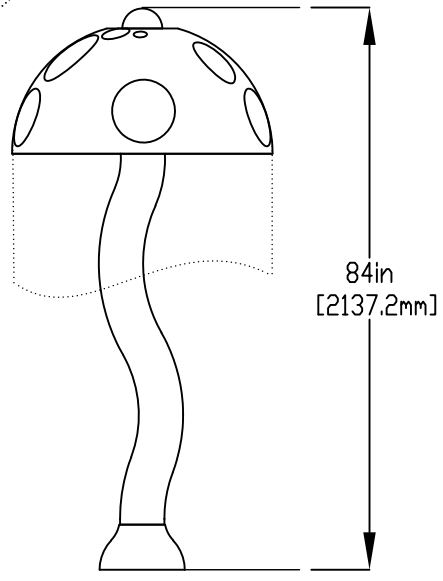
NOTES:

- (1) PURGE ALL WATER SUPPLY LINES TO REMOVE SOLIDS PRIOR TO TOY INSTALLATION.
- (2) PROVIDE ELECTRICAL BOND WITH POOL REBAR.
- (3) INSTALL ALL WATER TOYS PLUMB AND LEVEL.
- (4) PROVIDE STRAINER UPSTREAM OF TOY WITH MAX 1/32" (0.8mm) PERFORATIONS.

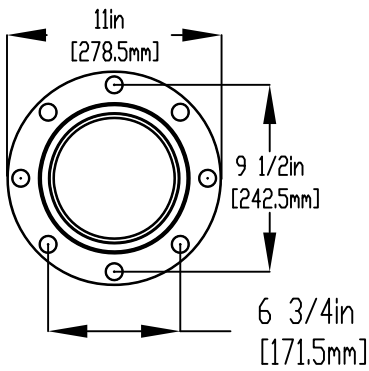


Ø60in
[Ø1524.0mm]
SPRAY DIAMETER

Ø39in
[Ø990.6mm]



84in
[2137.2mm]

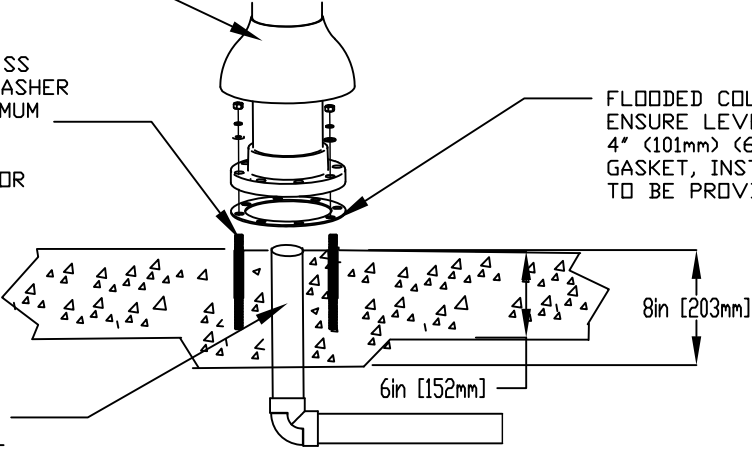


FLANGE DETAIL

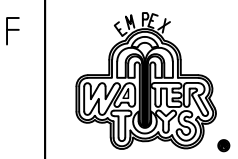
LOWER FLANGE
COVERS AFTER TOY
IS INSTALLED

5/8" (16mm) X 9" (229mm) 316 SS
THREADED ROD, C/W FENDER WASHER
LOCK WASHER & NUT (X6) MINIMUM
6" EMBEDMENT, EPOXY SET
ANCHOR ADHESIVE (EACH LEG)
TO BE PROVIDED BY CONTRACTOR

FLOODED COLUMN
ENSURE LEVEL & PLUMB
4" (101mm) (6" 152mm) X 1/8" (3mm)
GASKET, INSTALLED UNDER FLANGE
TO BE PROVIDED BY EMPEX



WATERFEED
2" (50MM) PVC SCH40 PIPE
CUT CLOSE PRIOR TO INSTALL
TO ALLOW FOR FULL DRAINAGE



Notes: Overall dimensions of toys are approximate.

© EMPEX WATERTOYS

WATER SUPPLY
70 gpm @ 10 psi
4.4 L/S @ 7m

AQUABRELLO MINI CURVED

T889L	6/20/2023	SCALE:	Sheet 1 of 1
-------	-----------	--------	-----------------