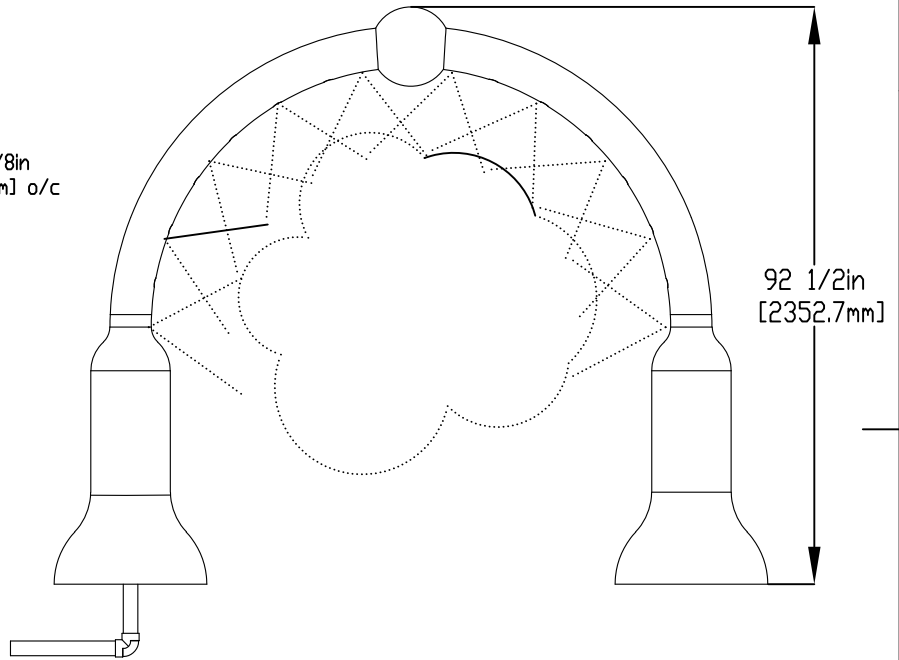
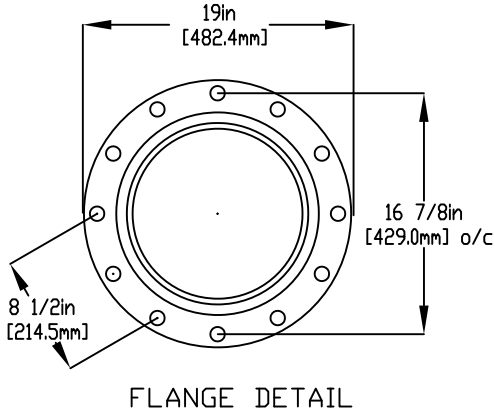
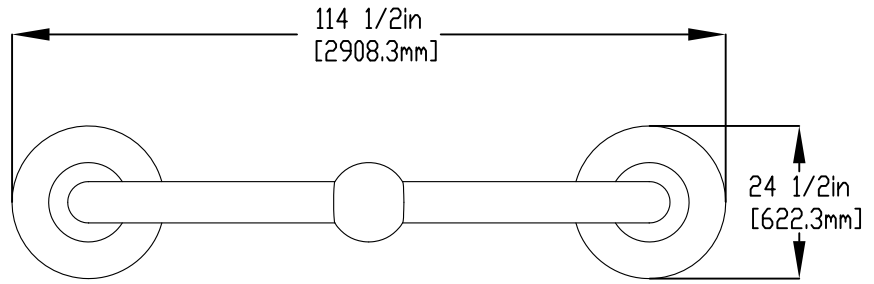


NOTES:

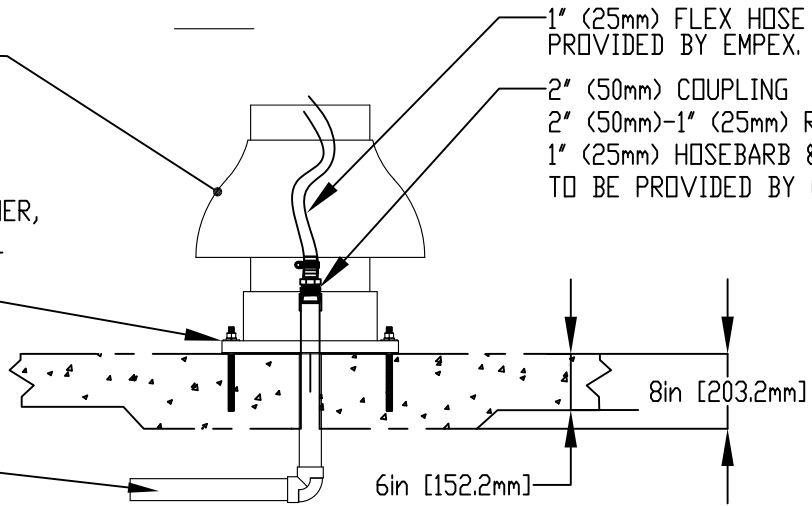
- (1) PURGE ALL WATER SUPPLY LINES TO REMOVE SOLIDS PRIOR TO TOY INSTALLATION.
- (2) PROVIDE ELECTRICAL BOND WITH POOL REBAR.
- (3) INSTALL ALL WATER TOYS PLUMB AND LEVEL.
- (4) PROVIDE STRAINER UPSTREAM OF TOY WITH MAX 1/32" (0.8mm) PERFORATIONS.



LOWER FLANGE COVER AFTER TOY IS INSTALLED.

5/8" (16mm) X 9" (230mm) 316SS THREADED ROD C/W FENDER WASHER, LOCKWASHER & NUT (X6), MINIMUM 6" (150mm) EMBEDMENT. EPOXY SET ANCHOR ADHESIVE TO BE PROVIDED BY CONTRACTOR

1" (25mm) FLEX HOSE PROVIDED BY EMPEX.
 2" (50mm) COUPLING
 2" (50mm)-1" (25mm) REDUCER
 1" (25mm) HOSEBARB & CLAMP TO BE PROVIDED BY CONTRACTOR



WATERFEED
 2" (50mm) PVC SCH 40 PIPE EXTENDED 6" (152mm) ABOVE SLAB.

	Notes: Overall dimensions of toys are approximate. Approximate Weight: 274lbs / 124.5kgs	© EMPEX WATERTOYS		
	WATER SUPPLY 35 gpm @ 25 psi 2.21L/S @17.5m	AQUABOW CIRCUS T811-C		11/11/2020