

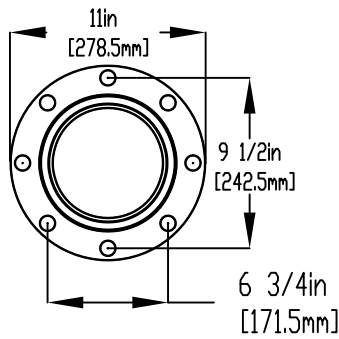
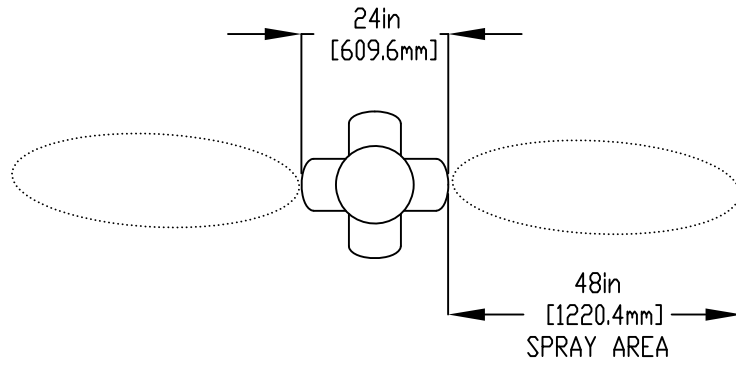
NOTES:

(1) PURGE ALL WATER SUPPLY LINES TO REMOVE SOLIDS PRIOR TO TOY INSTALLATION.

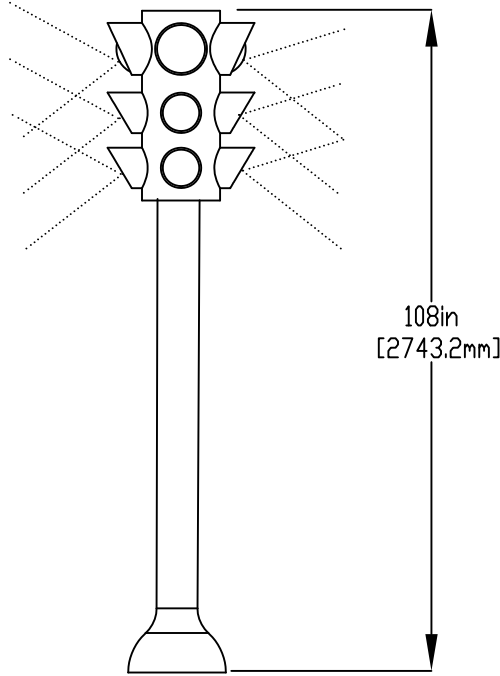
(2) PROVIDE ELECTRICAL BOND WITH POOL REBAR.

(3) INSTALL ALL WATER TOYS PLUMB AND LEVEL.

(4) PROVIDE STRAINER UPSTREAM OF TOY WITH MAX 1/32" (0.8MM) PERFORATIONS.



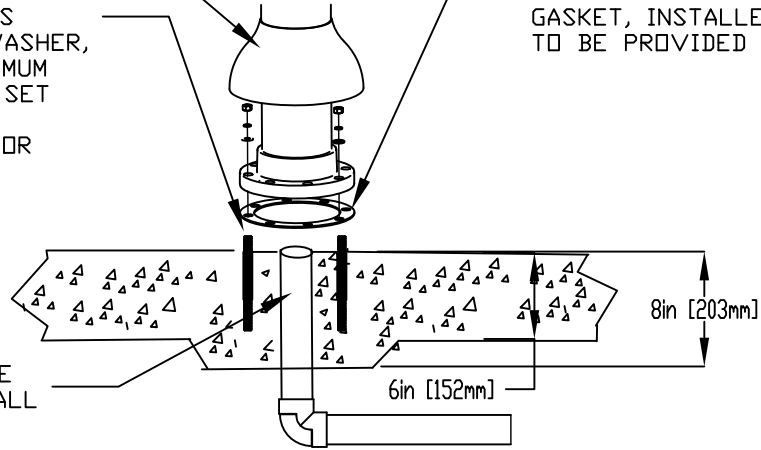
FLANGE DETAIL



LOWER FLANGE COVERS AFTER TOY IS INSTALLED

1/2" (13mm) X 8" (203mm) 316SS THREADED ROD, C/W FENDER WASHER, LOCK WASHER & NUT (X6) MINIMUM 6" (152mm) EMBEDMENT, EPOXY SET ANCHOR ADHESIVE TO BE PROVIDED BY CONTRACTOR

FLOODED COLUMN ENSURE LEVEL & PLUMB (6") (152mm) X 1/8" (3mm) GASKET, INSTALLED UNDER FLANGE TO BE PROVIDED BY EMPEX



WATERFEED 2" (50mm) SCH 40 PVC PIPE CUT CLOSE PRIOR TO INSTALL TO ALLOW FULL DRAINAGE



Notes: Overall dimensions of toys are approximate.

© EMPEX WATERTOYS

WATER SUPPLY

30 gpm @ 25 psi
1.89L/S @17.5m

AQUASTOP

ABU107

17/02/2022

SCALE:

Sheet
1 of 1