

1

2

3

4

NOTES:

- (1) PURGE ALL WATER SUPPLY LINES TO REMOVE SOLIDS PRIOR TO TOY INSTALLATION.
- (2) PROVIDE ELECTRICAL BOND WITH POOL REBAR.
- (3) INSTALL ALL WATER TOYS PLUMB AND LEVEL.
- (4) PROVIDE STRAINER UPSTREAM OF TOY WITH MAX 1/32" (0.8mm) PERFORATIONS.

A

A

B

B

C

C

D

D

E

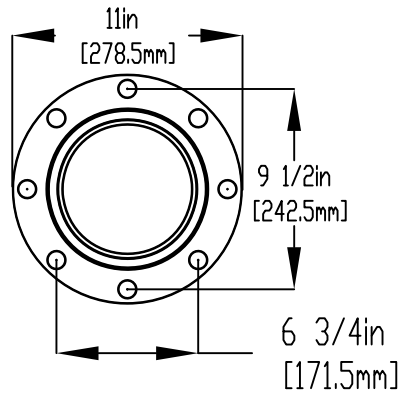
E

F

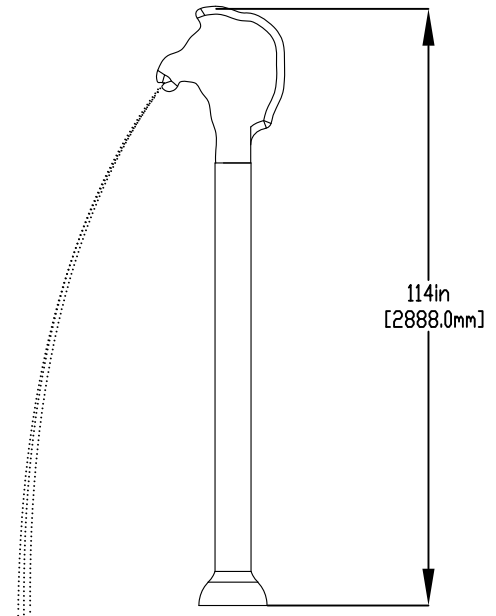
F

Spray Area  
38in  
[967.1mm]

29in  
[738.2mm]



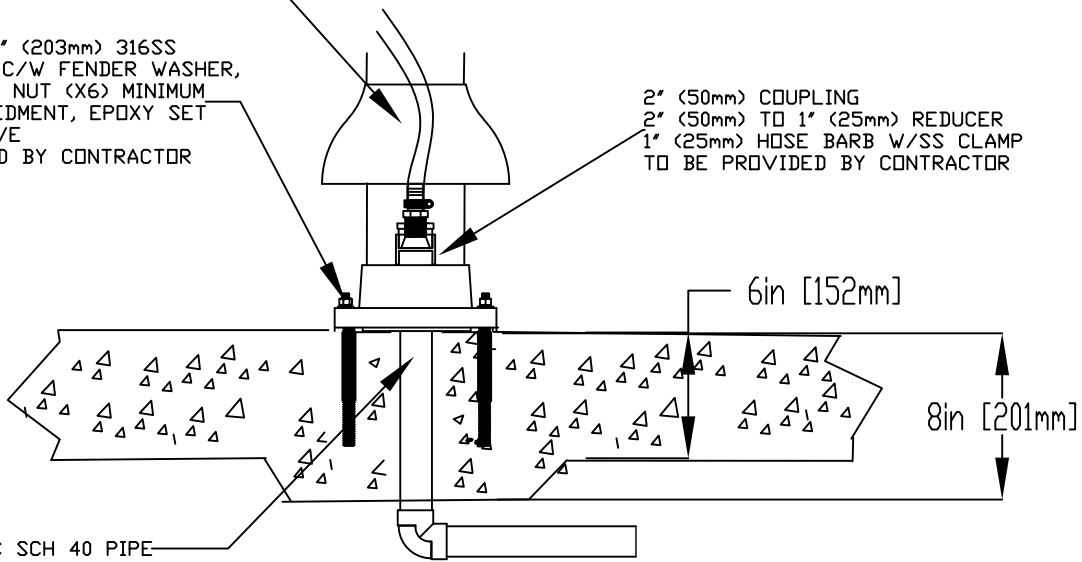
FLANGE DETAIL



LOWER FLANGE  
COVERS AFTER TOY  
IS INSTALLED

1/2" (13mm) X 8" (203mm) 316SS  
THREADED ROD, C/W FENDER WASHER,  
LOCK WASHER & NUT (X6) MINIMUM  
6" (152mm) EMBEDMENT, EPOXY SET  
ANCHOR ADHESIVE  
TO BE PROVIDED BY CONTRACTOR

2" (50mm) COUPLING  
2" (50mm) TO 1" (25mm) REDUCER  
1" (25mm) HOSE BARB W/SS CLAMP  
TO BE PROVIDED BY CONTRACTOR



WATERFEED  
2" (50mm) PVC SCH 40 PIPE  
EXTENDED 6" (152mm) ABOVE SLAB.

Notes: Overall dimensions of toys are approximate.

© EMPEX WATERTOYS



WATER SUPPLY

10 gpm @ 25 psi  
0.63 L/S @17.5m

AQUASTEED

B207M

01/04/2020

SCALE:

Sheet  
1 of 1

1

2

3

4