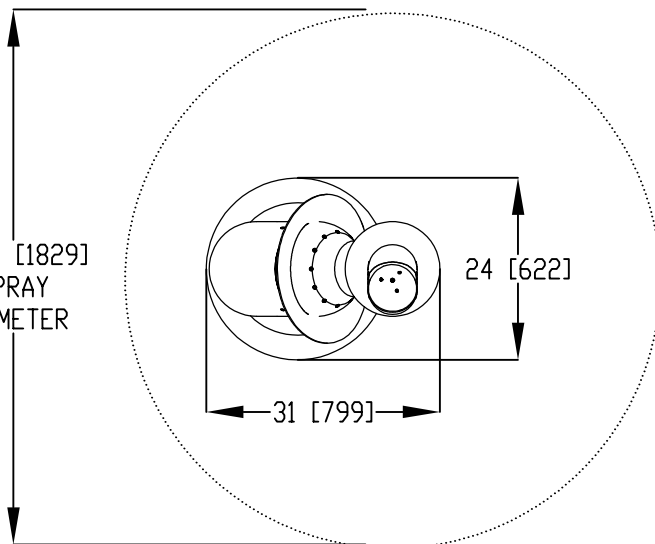


A

NOTES:

- (1) PURGE ALL WATER SUPPLY LINES TO REMOVE SOLIDS PRIOR TO TOY INSTALLATION.
- (2) PROVIDE ELECTRICAL BOND WITH POOL REBAR.
- (3) INSTALL ALL WATER TOYS PLUMB AND LEVEL.
- (4) PROVIDE STRAINER UPSTREAM OF TOY WITH MAX 1/32" (0.8mm) PERFORATIONS.

Ø72in [1829]  
SPRAY  
DIAMETER

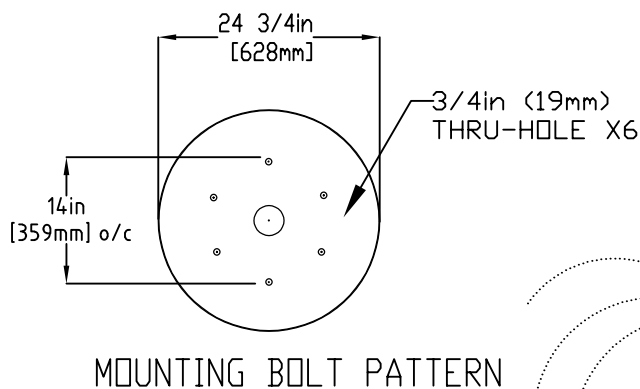
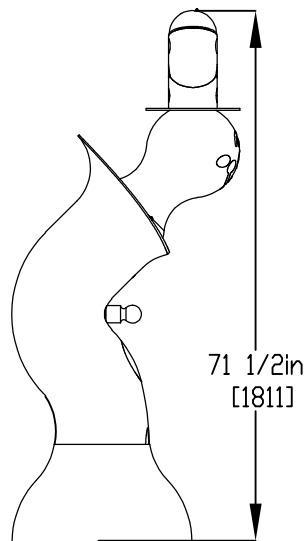


B

A

B

C



42 1/2in [1079]  
SPRAY HEIGHT  
NTS

D

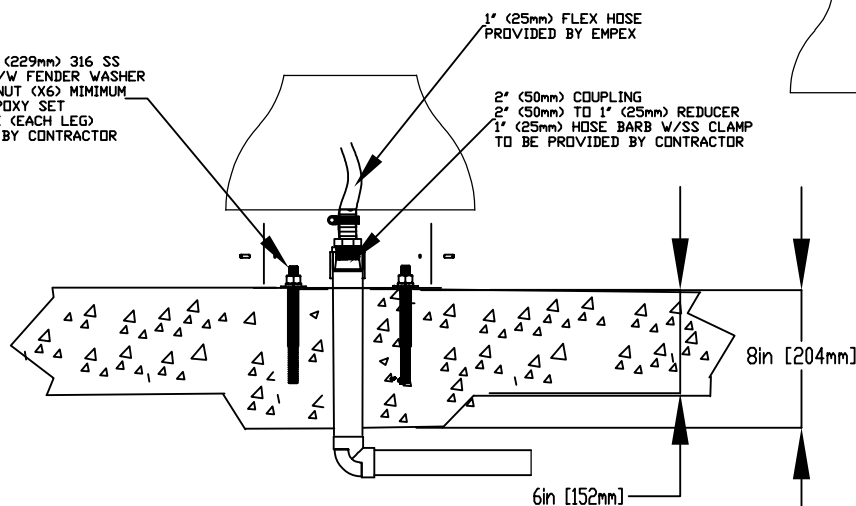
C

D

5/8" (16mm) X 9" (229mm) 316 SS  
THREADED ROD, C/W FENDER WASHER  
LOCK WASHER & NUT (X6) MINIMUM  
6" EMBEDMENT, EPOXY SET  
ANCHOR ADHESIVE (EACH LEG)  
TO BE PROVIDED BY CONTRACTOR

1" (25mm) FLEX HOSE  
PROVIDED BY EMPEX

2" (50mm) COUPLING  
2" (50mm) TO 1" (25mm) REDUCER  
1" (25mm) HOSE BARB W/SS CLAMP  
TO BE PROVIDED BY CONTRACTOR



E

E

F



Notes: Overall dimensions of toys are approximate.

© EMPEX WATERTOYS

WATER SUPPLY

30 gpm @ 25 psi  
1.89L/S @17.5m

AQUACLUNE

CL305

11/7/2014

SCALE:  
1:25

Sheet  
1 of 1

F