

NOTES:

(1) PURGE ALL WATER SUPPLY LINES TO REMOVE SOLIDS PRIOR TO TOY INSTALLATION.

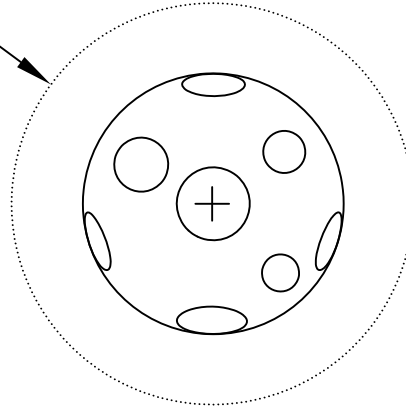
(2) PROVIDE ELECTRICAL BOND WITH POOL REBAR.

(3) INSTALL ALL WATER TOYS PLUMB AND LEVEL.

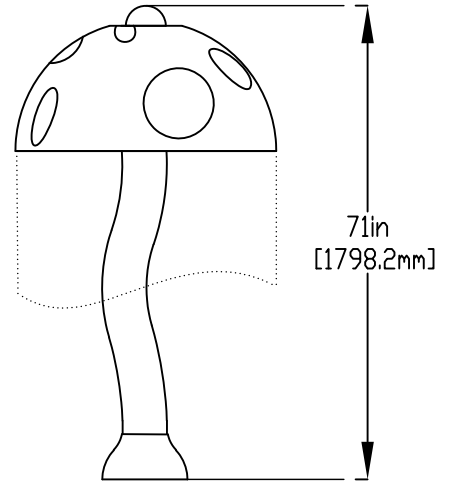
(4) PROVIDE STRAINER UPSTREAM OF TOY WITH MAX 1/32" (.08mm) PERFORATIONS.

A

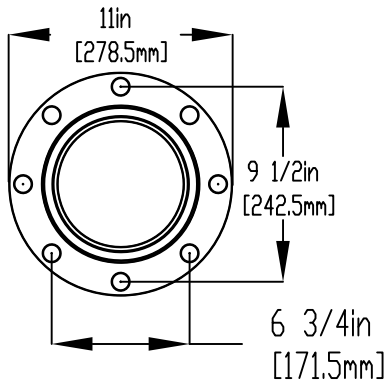
ø60in [ø1524.0mm] SPRAY DIAMETER



B



C



FLANGE DETAIL

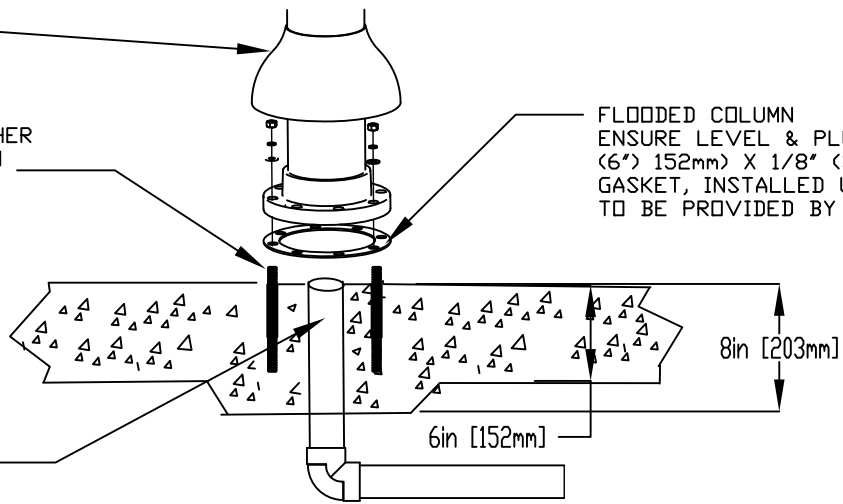
D

LOWER FLANGE COVERS AFTER TOY IS INSTALLED

5/8" (16mm) X 9" (229mm) 316 SS THREADED ROD, C/W FENDER WASHER LOCK WASHER & NUT (X6) MINIMUM 6" EMBEDMENT, EPOXY SET ANCHOR ADHESIVE (EACH LEG) TO BE PROVIDED BY CONTRACTOR

FLOODED COLUMN ENSURE LEVEL & PLUMB (6") 152mm X 1/8" (3mm) GASKET, INSTALLED UNDER FLANGE TO BE PROVIDED BY EMPEX

E



WATERFEED 2" (50MM) PVC SCH40 PIPE CUT CLOSE PRIOR TO INSTALL TO ALLOW FOR FULL DRAINAGE

F



Notes: Overall dimensions of toys are approximate. Approximate Weight: 76lbs (34.5kgs)

© EMPEX WATERTOYS

WATER SUPPLY
40 gpm @ 25 psi
2.5 L/S @ 17.5m

AQUABRELLO MINI CURVED SMALL

T889S

28/08/2023

SCALE:

Sheet 1 of 1