

1

2

3

4

NOTES:

(1) PURGE ALL WATER SUPPLY LINES TO REMOVE SOLIDS PRIOR TO TOY INSTALLATION.

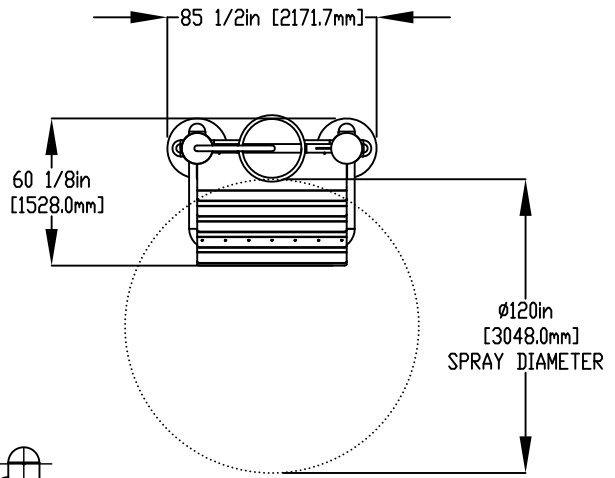
(2) PROVIDE ELECTRICAL BOND WITH POOL REBAR.

(3) INSTALL ALL WATER TOYS PLUMB AND LEVEL.

(4) PROVIDE STRAINER UPSTREAM OF TOY WITH MAX 1/32" (0.8mm) PERFORATIONS.

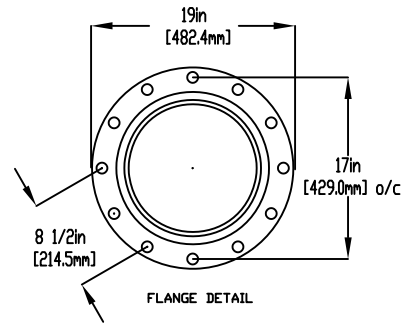
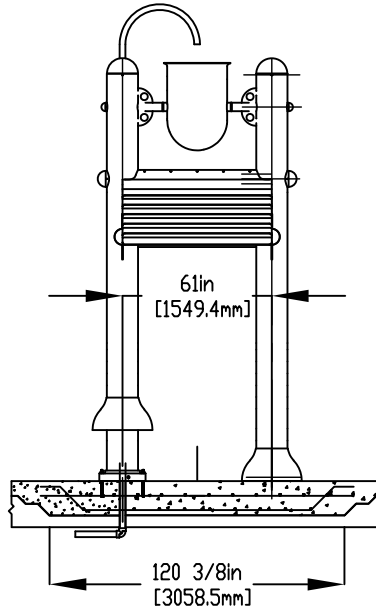
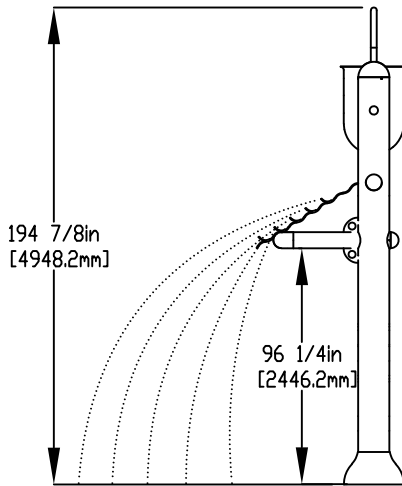
A

A



B

B



C

C

2" (50mm) FLEX HOSE PROVIDED BY EMPEX

5/8" (16mm) X 9" (229mm) 316SS THREADED ROD, C/W FENDER WASHER, LOCK WASHER, & NUT (X6). MINIMUM 7" (178mm) EMBEDMENT, EPOXY SET ANCHOR ADHESIVE TO BE PROVIDED BY CONTRACTOR

2" (50mm) COUPLING
2" (50mm) HOSEBARB W/ SS CLAMP TO BE PROVIDED BY CONTRACTOR

12- #4 @ 10" (250mm) X-AXIS

10- #4 @ 10" (250mm) X-AXIS

8-#4 @ 10" (250mm) Y-AXIS

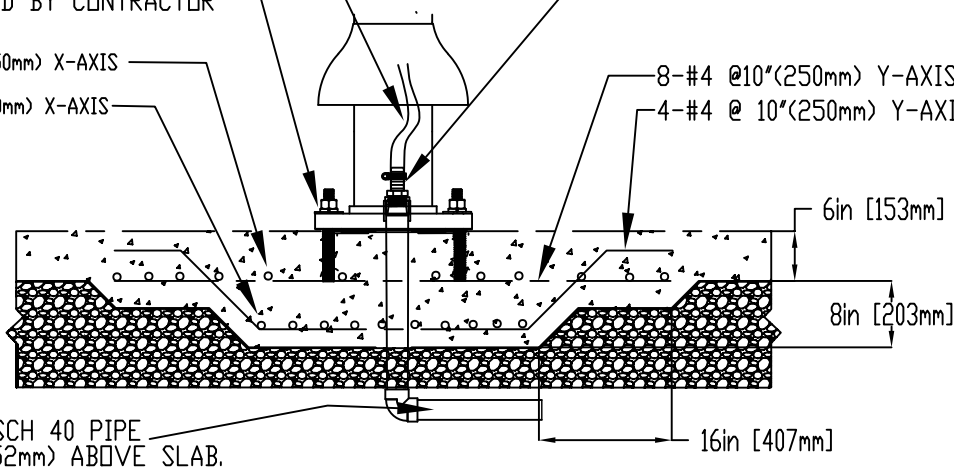
4-#4 @ 10" (250mm) Y-AXIS

D

D

E

E



WATERFEED
2" (50mm) PVC SCH 40 PIPE
EXTENDED 6" (152mm) ABOVE SLAB.

F

F



Notes: Overall dimensions of toys are approximate.
Approximate Weight: 540lbs / 245.5kgs

© EMPEX WATERTOYS

WATER SUPPLY

70 gpm @ 25 psi
4.4 L/S @ 17.5m

AQUADUNKER

K024

01/03/2021

SCALE:

Sheet
1 of 1

1

2

3

4