

1

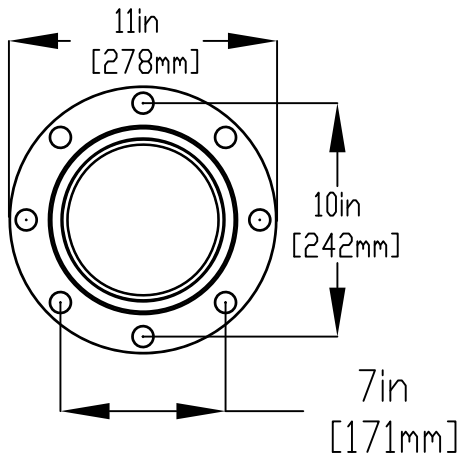
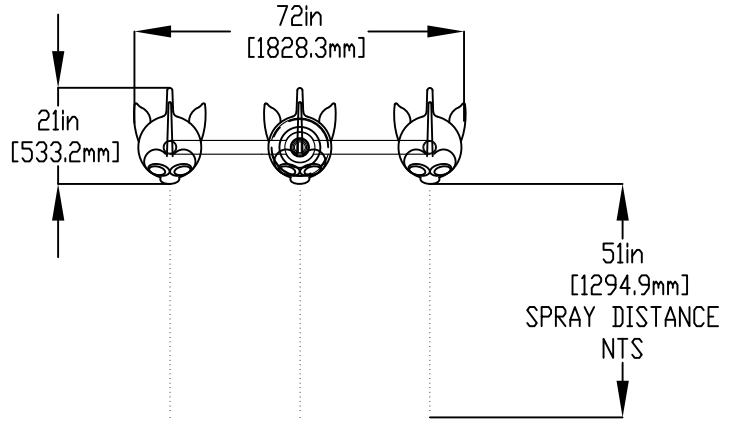
2

3

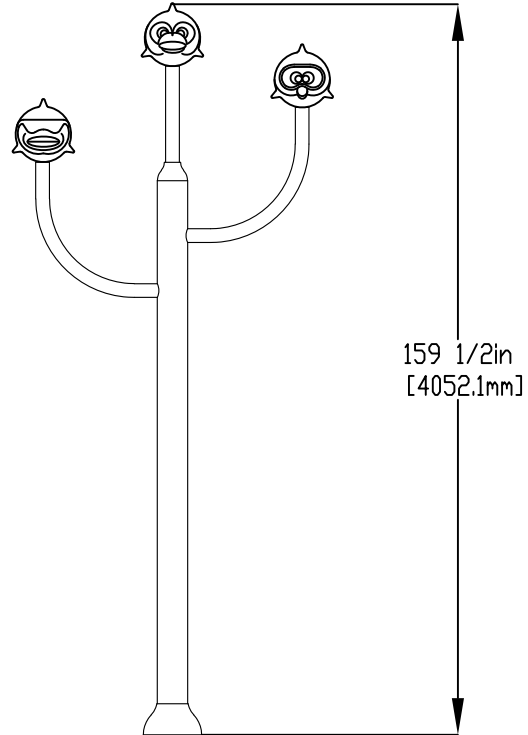
4

NOTES:

- (1) PURGE ALL WATER SUPPLY LINES TO REMOVE SOLIDS PRIOR TO TOY INSTALLATION.
- (2) PROVIDE ELECTRICAL BOND WITH POOL REBAR.
- (3) INSTALL ALL WATER TOYS PLUMB AND LEVEL.
- (4) PROVIDE STRAINER UPSTREAM OF TOY WITH MAX 1/32" (0.8mm) PERFORATIONS.



FLANGE DETAIL



LOWER FLANGE COVER AFTER INSTALL

1/2" (13mm) X 8" (203mm) 316SS  
 THREADED ROD, C/W FENDER WASHER,  
 LOCK WASHER, & NUT (X4). MINIMUM  
 6" (152mm) EMBEDMENT, EPOXY SET  
 ANCHOR ADHESIVE  
 TO BE PROVIDED BY CONTRACTOR

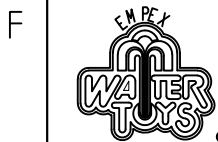
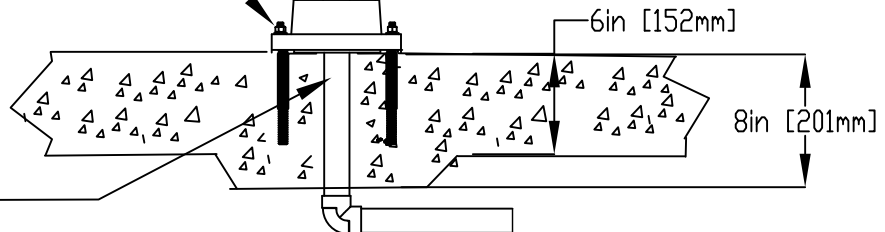
1" (25mm) FLEX HOSE PROVIDED BY EMPEX.

2" (50mm) COUPLING

2" (50mm) to 1" (25mm) REDUCER

1" (25mm) HOSEBARB W/SS CLAMP TO BE PROVIDED BY CONTRACTOR

WATERFEED  
 2" (50mm) PVC SCH 40 PIPE  
 6" (152mm) ABOVE SLAB.



Notes: Overall dimensions of toys are approximate.

© EMPEX WATERTOYS

WATER SUPPLY

15 gpm @ 25 psi  
 1 L/S @17.5m

FUNNY FISH FOUNTAIN

M333

28/04/2022

SCALE:

Sheet 1 of 1

1

2

3

4