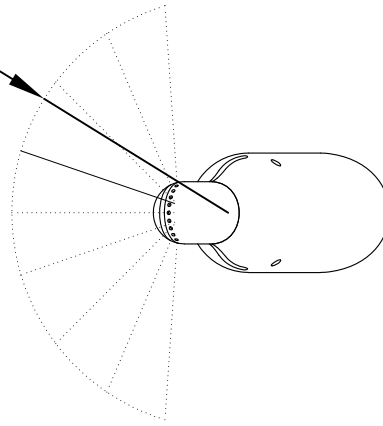


NOTES:

- (1) PURGE ALL WATER SUPPLY LINES TO REMOVE SOLIDS PRIOR TO TOY INSTALLATION.
- (2) PROVIDE ELECTRICAL BOND WITH POOL REBAR.
- (3) INSTALL ALL WATER TOYS PLUMB AND LEVEL.
- (4) PROVIDE STRAINER UPSTREAM OF TOY WITH MAX 1/32" (0.8mm) PERFORATIONS.

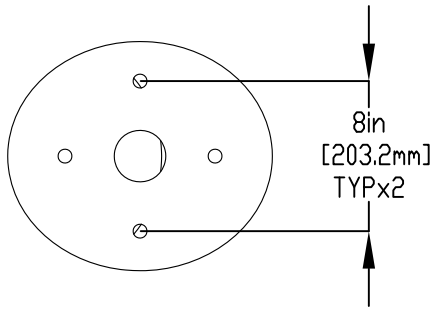
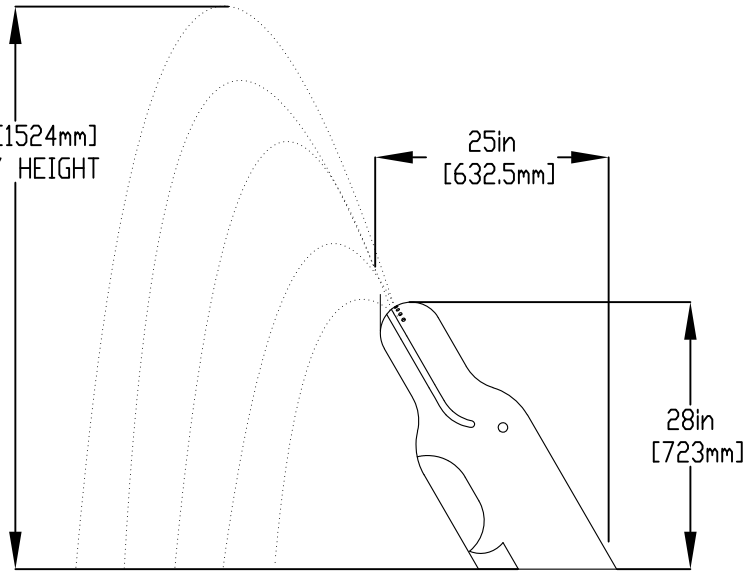
R23in
[R586.5mm]
SPRAY AREA



60in [1524mm]
SPRAY HEIGHT

25in
[632.5mm]

28in
[723mm]



BOLT PATTERN

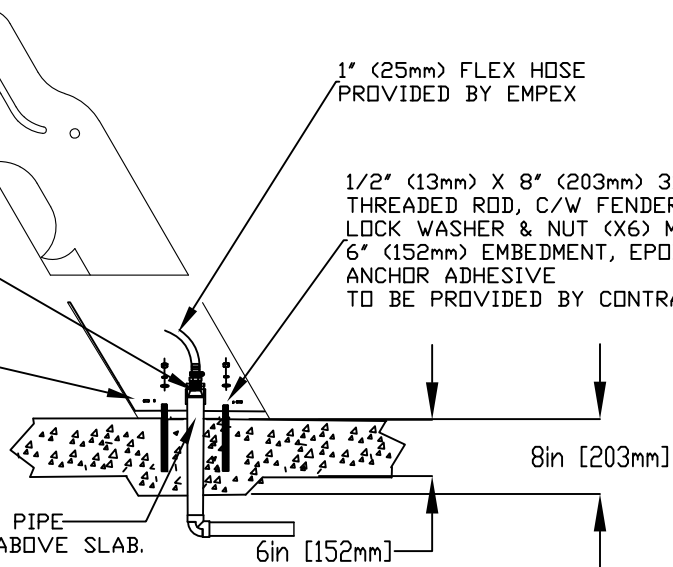
- 2" (50mm) COUPLING
- 2" (50mm) TO 1" (25mm) REDUCER
- 1" (25mm) HOSE BARB W/SS CLAMP TO BE PROVIDED BY CONTRACTOR

1. BOLT BASE WITH INSERT SLEEVE TO SLAB
2. MAKE PLUMBING CONNECTION
3. LOWER TOY & BOLT TO INSERT

1" (25mm) FLEX HOSE PROVIDED BY EMPEX

1/2" (13mm) X 8" (203mm) 316SS THREADED ROD, C/W FENDER WASHER, LOCK WASHER & NUT (X6) MINIMUM 6" (152mm) EMBEDMENT, EPOXY SET ANCHOR ADHESIVE TO BE PROVIDED BY CONTRACTOR

WATERFEED
2" (50mm) PVC SCH 40 PIPE EXTENDED 6" (152mm) ABOVE SLAB.



Notes: Overall dimensions of toys are approximate.

© EMPEX WATERTOYS

WATER SUPPLY
30 gpm @ 25 psi
1.89L/S @17.5m

AQUAFLIP

M502

13/01/2021

SCALE:

Sheet
1 of 1