

1

2

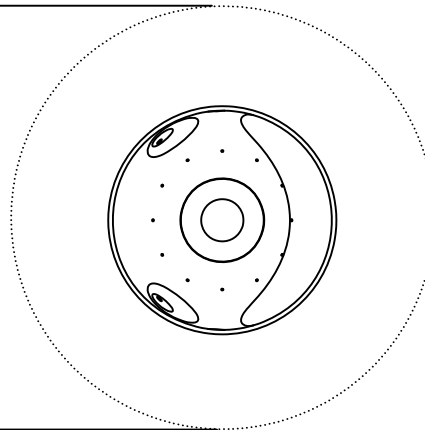
3

4

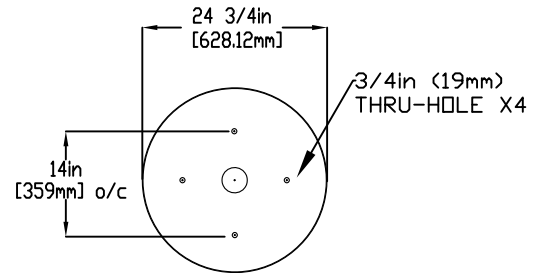
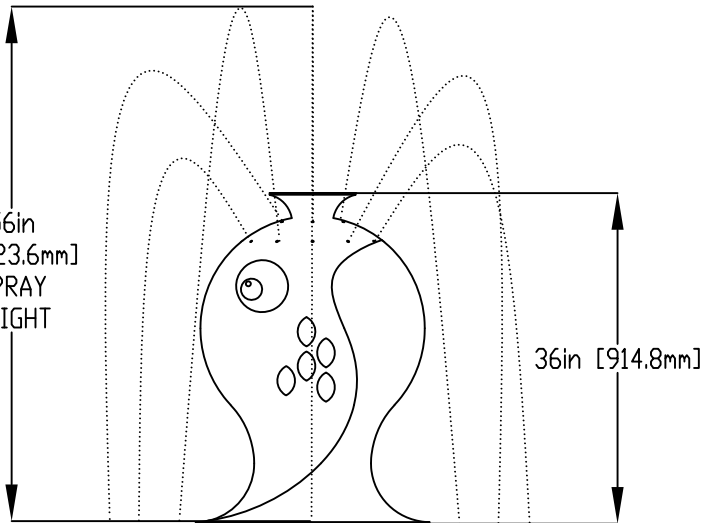
NOTES:

- (1) PURGE ALL WATER SUPPLY LINES TO REMOVE SOLIDS PRIOR TO TOY INSTALLATION.
- (2) PROVIDE ELECTRICAL BOND WITH POOL REBAR.
- (3) INSTALL ALL WATER TOYS PLUMB AND LEVEL.
- (4) PROVIDE STRAINER UPSTREAM OF TOY WITH MAX 1/32" (0.8mm) PERFORATIONS.

84in
[2134mm]
SPRAY AREA
NTS



56in
[1423.6mm]
SPRAY HEIGHT



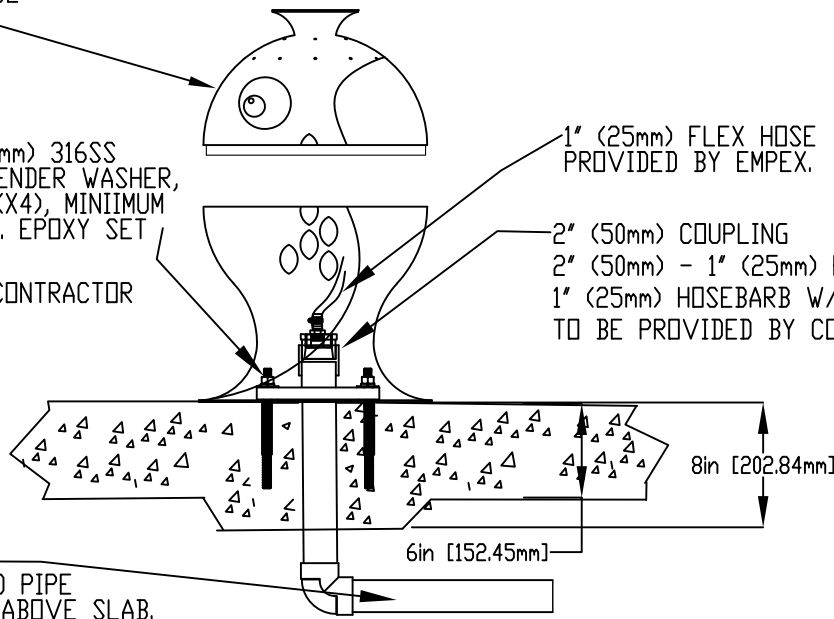
MOUNTING PLATE DETAIL

LOWER TOY ONCE BASE IS ANCHORED TO THE GROUND.

1/2" (13mm) X 8" (203mm) 316SS THREADED ROD C/W FENDER WASHER, LOCK WASHER & NUT (X4), MINIMUM 6" (152mm) EMBEDMENT. EPOXY SET ANCHOR ADHESIVE TO BE PROVIDED BY CONTRACTOR

1" (25mm) FLEX HOSE PROVIDED BY EMPEX.

2" (50mm) COUPLING
2" (50mm) - 1" (25mm) REDUCER
1" (25mm) HOSEBARB W/SS CLAMP TO BE PROVIDED BY CONTRACTOR



WATERFEED
2" (50mm) PVC SCH 40 PIPE EXTENDED 6" (152mm) ABOVE SLAB.



Notes: Overall dimensions of toys are approximate.

© EMPEX WATERTOYS

WATER SUPPLY

30 gpm @ 25 psi
1.89L/S @17.5m

AQUAFRY

M509

24/03/2022

SCALE:

Sheet 1 of 1

1

2

3

4