

1

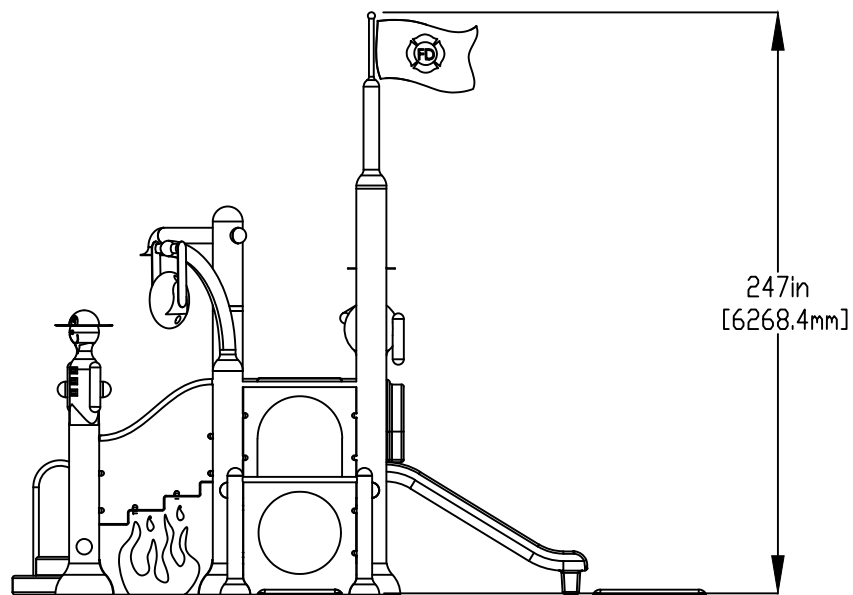
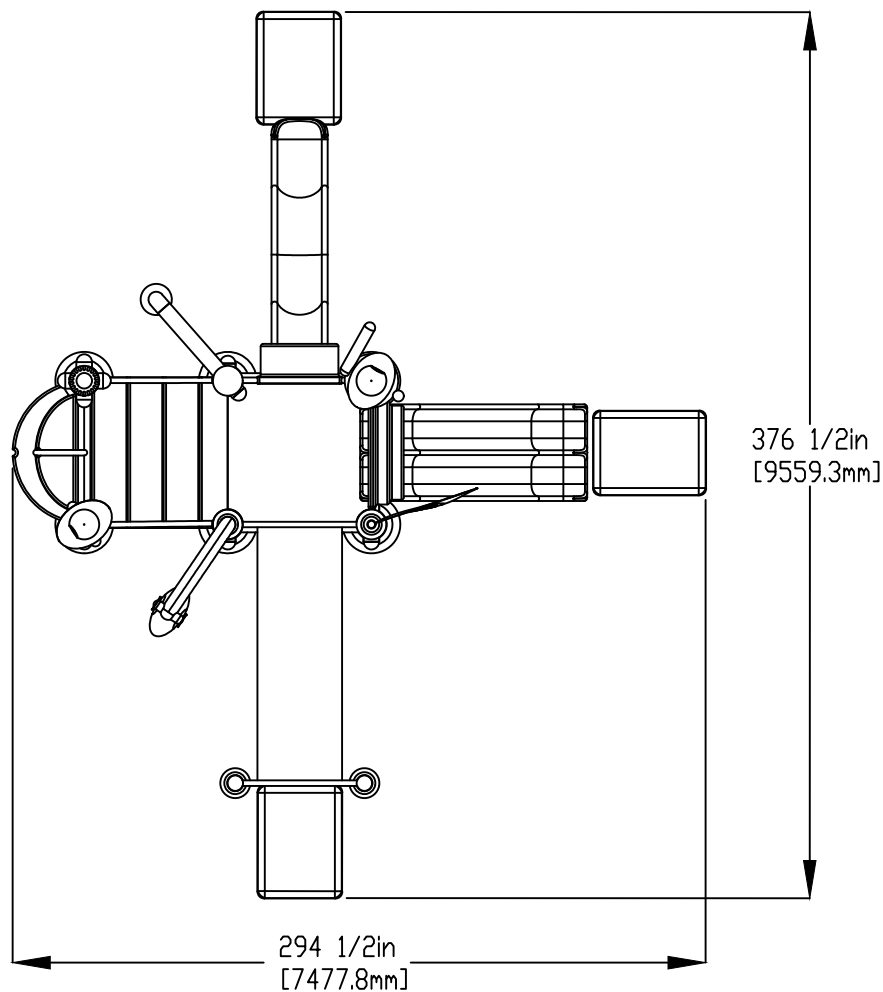
2

3

4

NOTES:

- (1) PURGE ALL WATER SUPPLY LINES TO REMOVE SOLIDS PRIOR TO TOY INSTALLATION.
- (2) PROVIDE ELECTRICAL BOND WITH POOL REBAR.
- (3) INSTALL ALL WATER TOYS PLUMB AND LEVEL.
- (4) PROVIDE STRAINER UPSTREAM OF TOY WITH MAX 1/32" (0.8mm) PERFORATIONS.



Notes: Overall dimensions of toys are approximate.

© EMPEX WATERTOYS



WATER SUPPLY
 170 gpm @ 25 psi
 10.7 L/S @17.5m

AQUADEK

T410-AF-3S

8/7/2020

SCALE:

Sheet
1 of 3

1

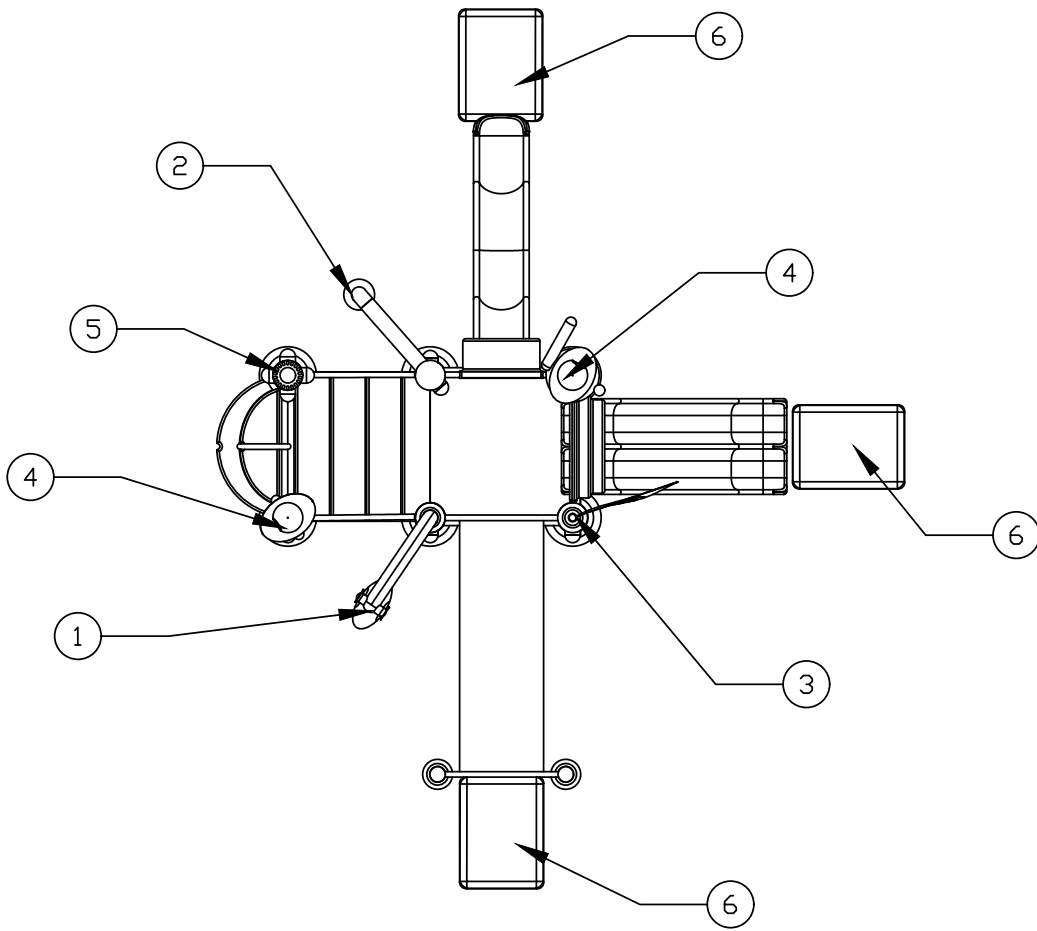
2

3

4

NOTES:

- (1) PURGE ALL WATER SUPPLY LINES TO REMOVE SOLIDS PRIOR TO TOY INSTALLATION.
- (2) PROVIDE ELECTRICAL BOND WITH POOL REBAR.
- (3) INSTALL ALL WATER TOYS PLUMB AND LEVEL.
- (4) PROVIDE STRAINER UPSTREAM OF TOY WITH MAX 1/32" (0.8mm) PERFORATIONS.



No.	Toy	Description	No. Event	MAX GPM	MAX Ltps
1	Aquadunk - Firemen	High Level Water Drops	1	10	0.63
2	Aquashower	High Level Laminar Spray	1	30	1.89
3	Flag Pole	Spiral Spray	1	30	1.89
4	Fireman Finial	Laminar Spray	2	60	3.78
5	Aquaplug Finial	Soft Conical spray	1	40	2.5
6	Landing Pad	Optional (not included with Dek)			
TOTALS			6	170	10.69



Notes: Overall dimensions of toys are approximate.

© EMPEX WATERTOYS

WATER SUPPLY
170 gpm @ 25 psi
10.7 L/S @17.5m

AQUADEK

T410-AF-3S

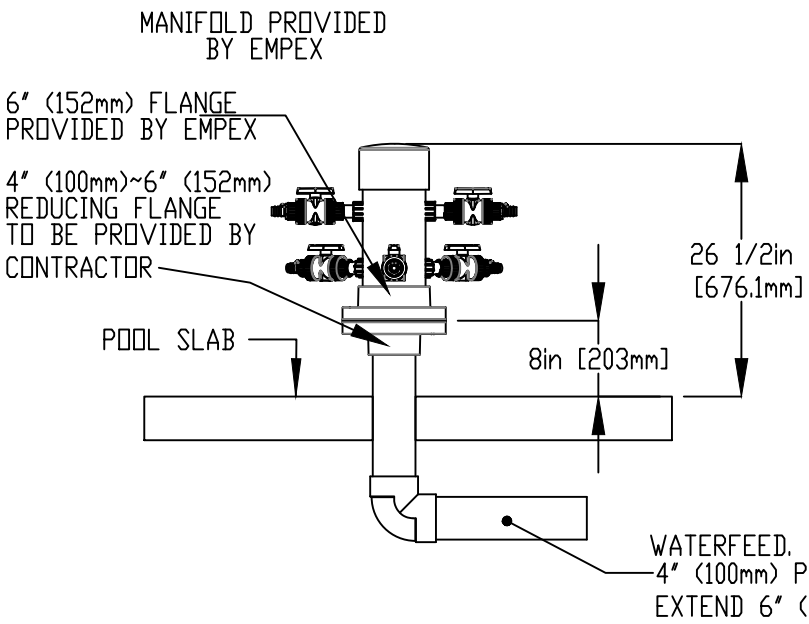
8/7/2020

SCALE:

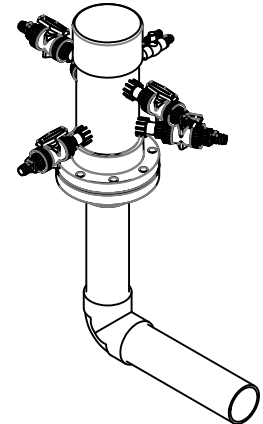
Sheet
2 of 3

A

A



- 1" (25mm) VALVE:
 (1) AQUASHOWER
 (2) AQUATOT
 (1) FLAGPOLE
 (1) AQUAPLUG
- 0.5" (50mm) VALVE:
 (1) AQUADUNK

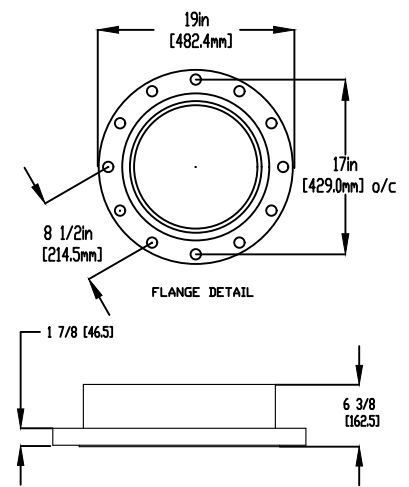
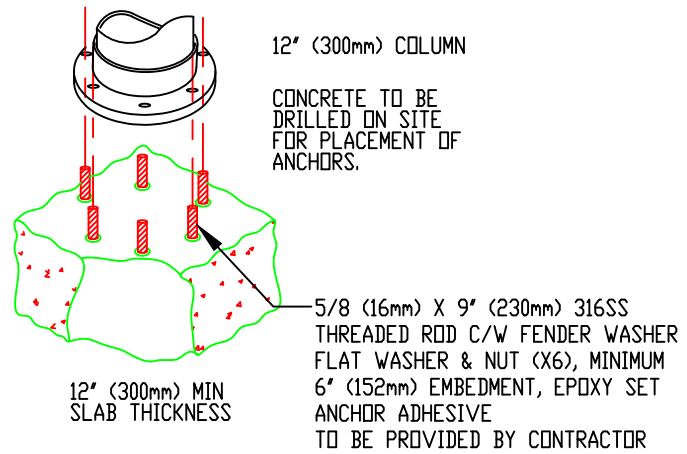


B

B

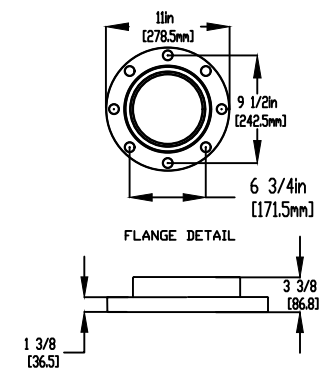
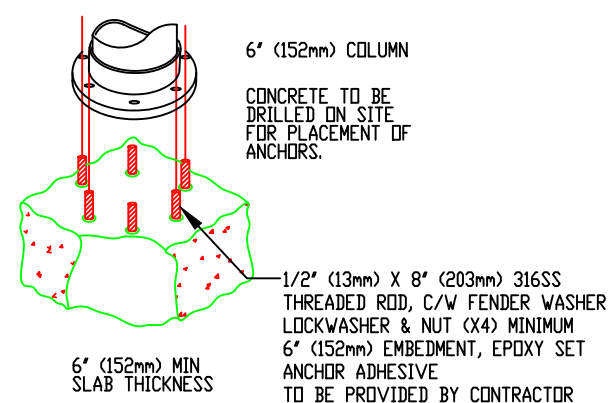
C

C



D

D



E

E

F

F



Notes: Overall dimensions of toys are approximate.

© EMPEX WATERTOYS

WATER SUPPLY
 170 gpm @ 25 psi
 10.7 L/S @17.5m

AQUADEK

T410-AF-3S

8/7/2020

SCALE:

Sheet 3 of 3