

NOTES:

(1) PURGE ALL WATER SUPPLY LINES TO REMOVE SOLIDS PRIOR TO TOY INSTALLATION.

(2) PROVIDE ELECTRICAL BOND WITH POOL REBAR.

(3) INSTALL ALL WATER TOYS PLUMB AND LEVEL.

(4) PROVIDE STRAINER UPSTREAM OF TOY WITH MAX 1/32" (0.08mm) PERFORATIONS.

A

A

B

B

C

C

D

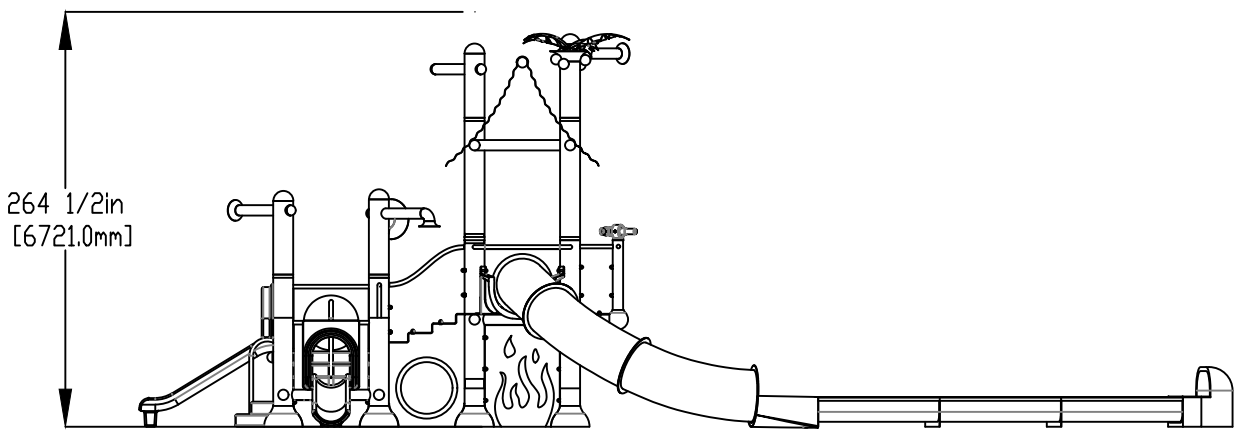
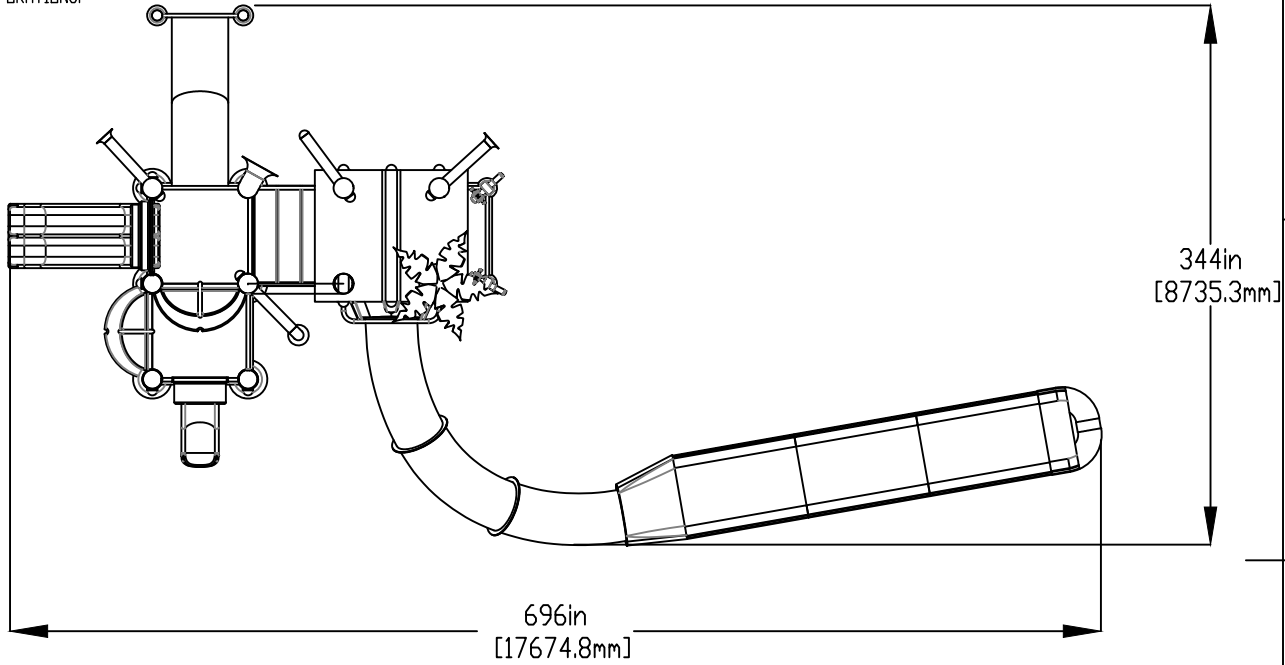
D

E

E

F

F



Notes: Overall dimensions of toys are approximate.

© EMPEX WATERTOYS

WATER SUPPLY
594gpm @ 25psi
37.4L/S @17.5m

AQUAFIRE AQUADEK

T610-AF-246R

15/11/2023

SCALE:

Sheet
1 of 3

MANIFOLD PROVIDED BY EMPEX

A

A

6" (152mm) PVC FLANGE PROVIDED BY EMPEX

6" (152mm) PVC FLANGE PROVIDED BY CONTRACTOR

40" (1017mm)

MAX 8" (200MM)

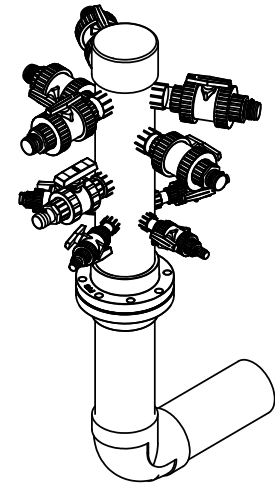
POOL SLAB

- (5) 2" VALVES
- (2) FALLS
- (3) FG SLIDE

- (1) 1 1/2" VALVE
- (1) TUBA

- (5) 1" VALVE
- (1) CURTAIN
- (1) SHOWER
- (2) FIREMAN
- (1) HYDRANT.

- (3) 1/2" VALVES
- (2) SHOOTERS
- (1) TIPPER.



WATERFEED
6" (152mm) PVC SCH 40 PIPE
EXTENDED 8" (200mm) ABOVE SLAB.

B

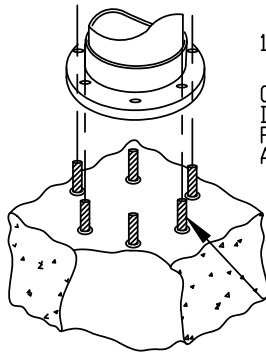
B

C

C

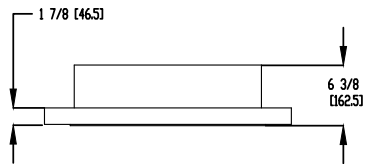
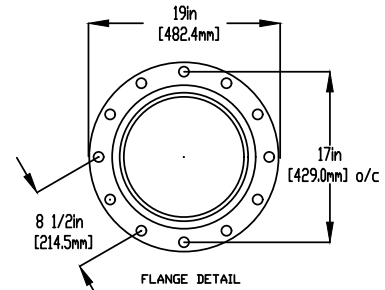
12" (300mm) COLUMN

CONCRETE TO BE DRILLED ON SITE FOR PLACEMENT OF ANCHORS.



5/8 (16mm) CONCRETE ANCHORS WITH NUT, LOCK WASHER AND WASHER. MIN 6 ANCHORS.

12" (300mm) MIN SLAB THICKNESS

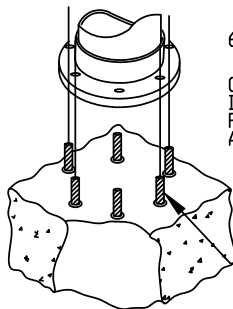


D

D

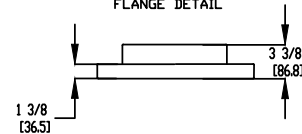
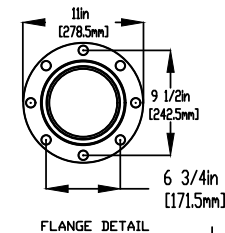
6" (150mm) COLUMN

CONCRETE TO BE DRILLED ON SITE FOR PLACEMENT OF ANCHORS.



5/8 (16mm) CONCRETE ANCHORS WITH NUT, LOCK WASHER AND WASHER. MIN 4 ANCHORS.

6" (150mm) MIN SLAB THICKNESS



E

E

F

F

Notes: Overall dimensions of toys are approximate.

© EMPEX WATERTOYS



WATER SUPPLY

594gpm @ 25psi
37.4L/S @17.5m

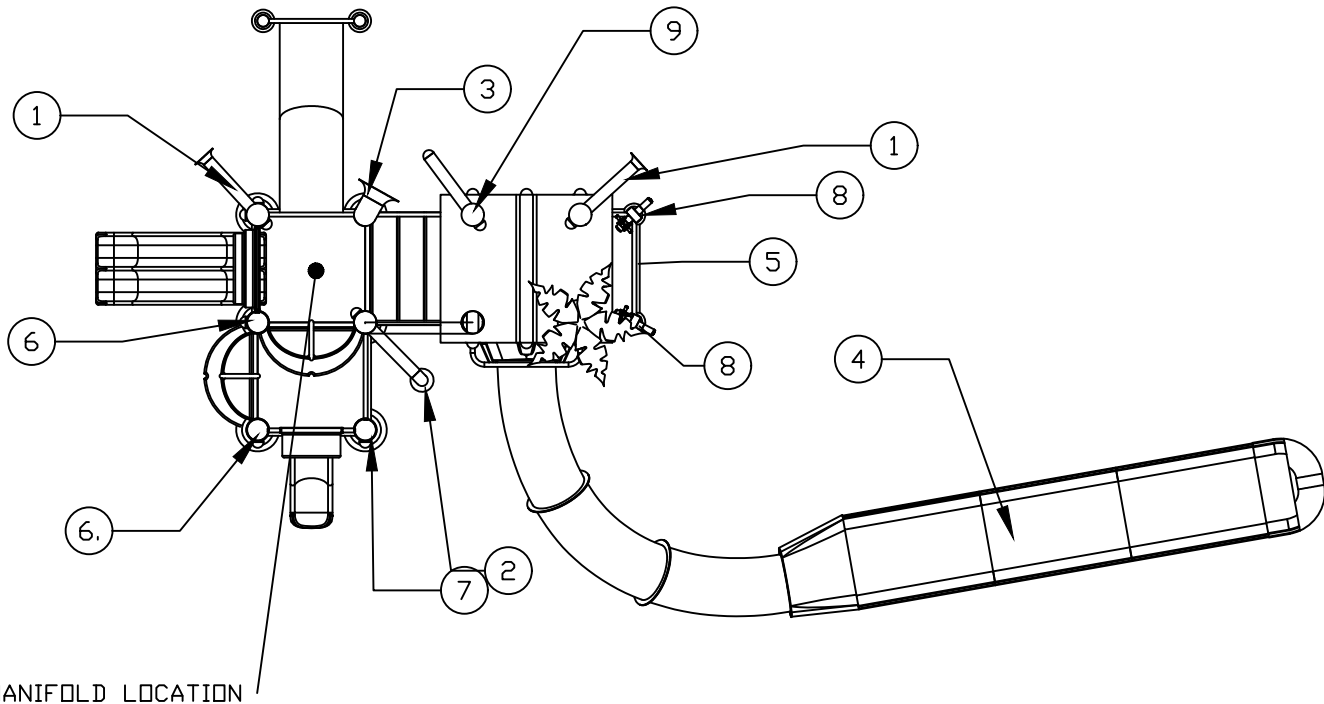
AQUAFIRE AQUADEK

T610-AF-246R

15/11/2023

SCALE:

Sheet
2 of 3



WATER FEATURES

	Toy	Description	No. Event	MAX GPM	MAX Ltps
1	Aquafall	High Level Lateral Water Fall	2	140	8.8
2	Aquashower	High Level Laminar Spray	1	30	1.89
3	Aquatuba		1	30	1.89
4	Tube Slide	Water Fed 90° Tubular Slide w/ runout	3	250	15.8
5	Curtain	Soft Downwards Laminar Spray	1	30	1.89
6	Fireman Finial	Laminar Spray	2	60	3.78
7	Aquaplug Finial	Soft Conical spray	1	40	2.5
8	Shooter	Watershooter	2	4	0.24
9	Tippin' - Firebell	High Level Water Drops	1	10	0.63
	Landing Pad	Optional (not included with Dek)			
		TOTALS	14	594	37.4

Notes: Overall dimensions of toys are approximate.

© EMPEX WATERTOYS



WATER SUPPLY

594gpm @ 25 psi
37.4L/S @17.5m

AQUAFIRE AQUADEK

T610-AF-246R

15/11/2023

SCALE:

Sheet
3 of 3