

1

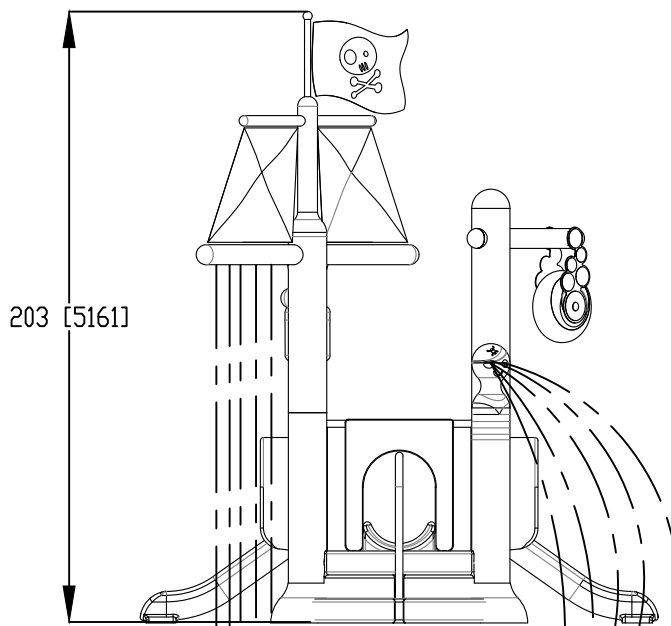
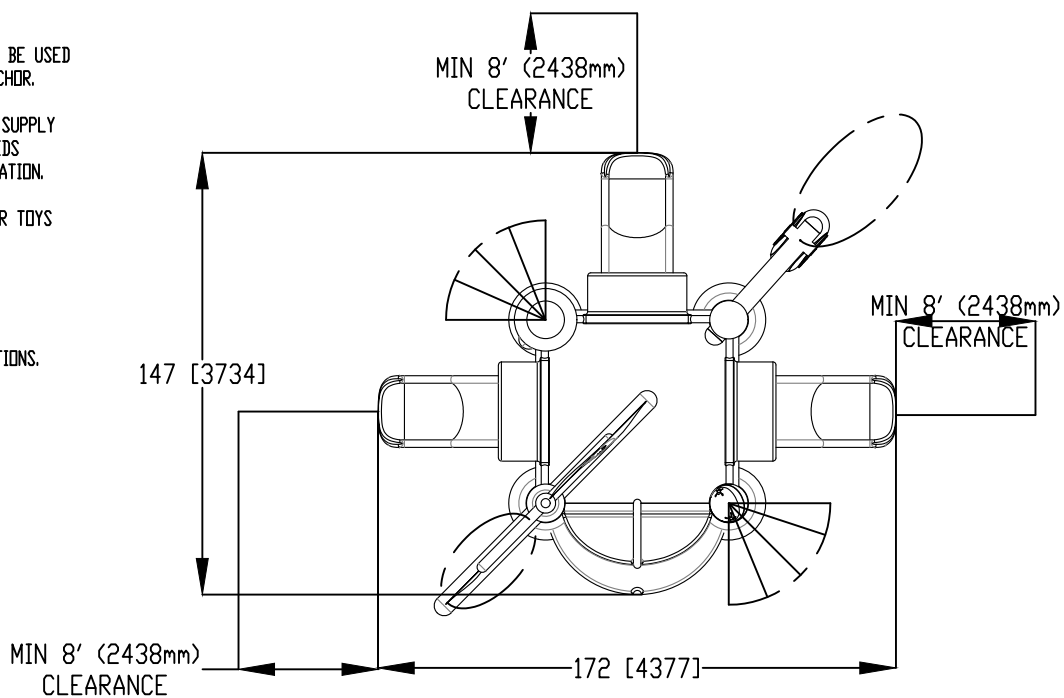
2

3

4

NOTES:

- (1) PROVIDE ELECTRICAL BOND WITH POOL REBAR.
- (2) 2 PART EPOXY MAY BE USED IN LIEU OF INSERT ANCHOR.
- (3) PURGE ALL WATER SUPPLY LINES TO REMOVE SOLIDS PRIOR TO TOY INSTALLATION.
- (4) INSTALL ALL WATER TOYS PLUMB AND LEVEL.
- (5) PROVIDE STRAINER UPSTREAM OF TOY WITH MAX 1/32" (0.8mm) PERFORATIONS.



Notes : (1) Dual Dimensions
(2) Outer dimensions of toys are approximate.

EMPEX WATER TOYS
DEC 03, 2019

Scale
N.T.S.

WATER SUPPLY
65 gpm @ 25 psi
4.3L/S @ 17.5m

AQUADEK PIRATE

T210-P-3S

Edition

Sheet
1 OF 3

1

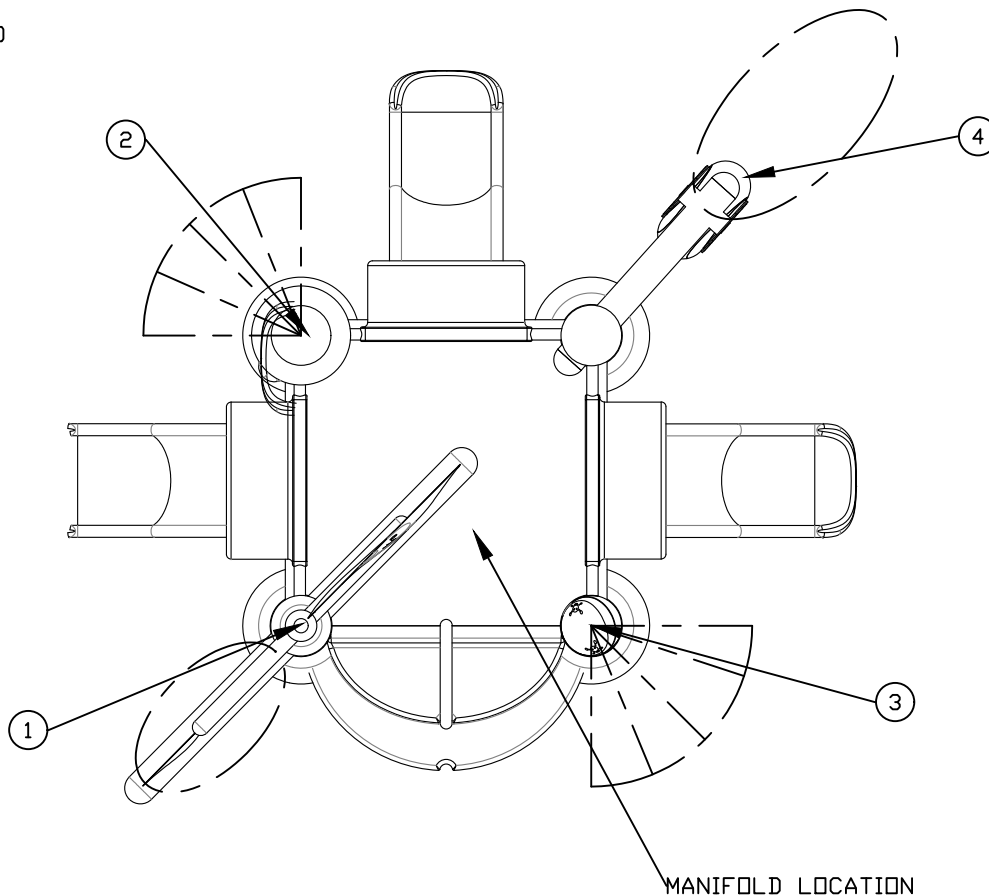
2

3

4

NOTES:

- (1) PROVIDE ELECTRICAL BOND WITH POOL REBAR.
- (2) 2 PART EPOXY MAY BE USED IN LIEU OF INSERT ANCHOR.
- (3) PURGE ALL WATER SUPPLY LINES TO REMOVE SOLIDS PRIOR TO TOY INSTALLATION.
- (4) INSTALL ALL WATER TOYS PLUMB AND LEVEL.
- (5) PROVIDE STRAINER UPSTREAM OF TOY WITH MAX 1/32" (0.8mm) PERFORATIONS.



	Toy	Description	No. Event	MAX GPM	MAX Ltps
1	Aquamast	High Level Downward Spray	1	20	1.26
2	Captain Pirate	Laminar Spray	1	15	1
3	Skinny Mate Pirate	Laminar Spray	1	15	1
4	Tippin' - Lollie	High Level Water Drops	1	15	1
	Landing Pad	Optional (not included with Dek)			
		TOTALS	4	65	4.3



Notes : (1) Dual Dimensions
(2) Outer dimensions of toys are approximate.

EMPEX WATER TOYS
DEC 03, 2019

Scale
N.T.S.

WATER SUPPLY
65 gpm @ 25 psi
4.3L/S @ 17.5m

AQUADEK PIRATE

T210-P-3S

Edition
Sheet
2 OF 3

1

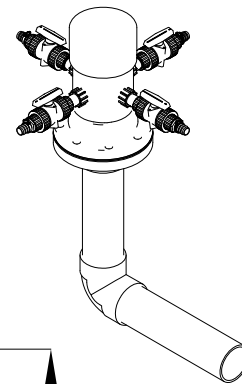
2

3

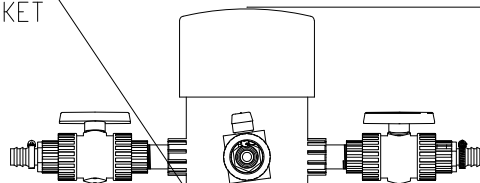
4

EMPEX MANIIFOLD

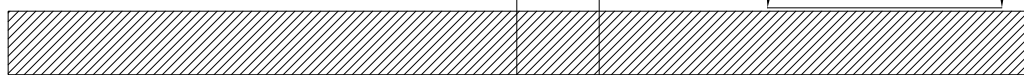
- (4) 1" (25mm) VALVES
- AQUATOT- CAPTAIN
- AQUATOT - MATE
- TIPPIN' LOLLIE
- AQUAMAST



6" (152mm) PVC FLANGE
 6" (152mm) X 1/8" (3mm) GASKET
 PROVIDED BY EMPEX



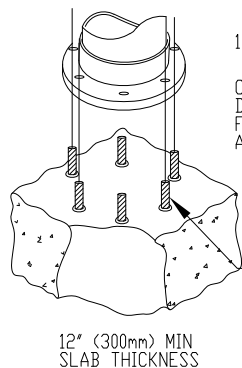
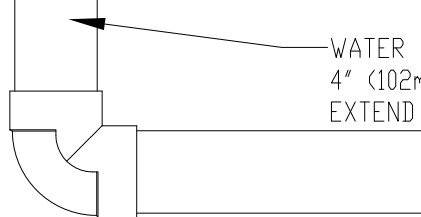
6" (152mm) TO 4" (102mm)
 REDUCING FLANGE
 TO BE PROVIDED BY CONTRACTOR



21 [532]

POOL SLAB

WATER FEED
 4" (102mm) PVC SCH 40 PIPE
 EXTEND 6" (152mm) ABOVE SLAB

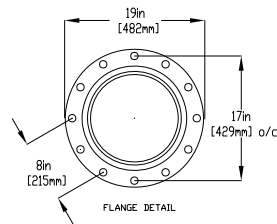


12" (300mm) COLUMN

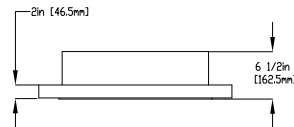
CONCRETE TO BE
 DRILLED ON SITE
 FOR PLACEMENT OF
 ANCHORS.

5/8 (16mm) CONCRETE
 ANCHORS WITH NUT, LOCK WASHER
 AND WASHER. MIN
 6 ANCHORS.

12" (300mm) MIN
 SLAB THICKNESS



FLANGE DETAIL



Notes : (1) Dual Dimensions
 (2) Outer dimensions of toys are approximate.

EMPEX WATER TOYS
 DEC 03, 2019

Scale
 N.T.S.



WATER SUPPLY

65 gpm @ 25 psi
 4.3L/S @ 17.5m

AQUADEK PIRATE

T210-P-3S

Edition

Sheet
 3 of 3

1

2

3

4