

1

2

3

4

NOTES:

- (1) PURGE ALL WATER SUPPLY LINES TO REMOVE SOLIDS PRIOR TO TOY INSTALLATION.
- (2) PROVIDE ELECTRICAL BOND WITH POOL REBAR.
- (3) INSTALL ALL WATER TOYS PLUMB AND LEVEL.
- (4) PROVIDE STRAINER UPSTREAM OF TOY WITH MAX 1/32" (0.8mm) PERFORATIONS.

A

A

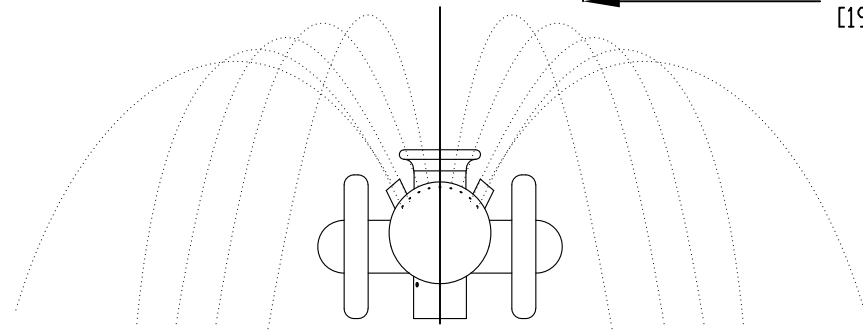
Ø60in
[1524.0mm]
SPRAY DIAMETER
NOT TO SCALE

30 5/8in
[777.9mm]

76 3/4in
[1949.5mm]

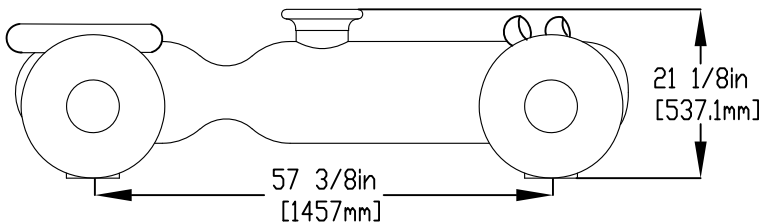
B

B



C

C



21 1/8in
[537.1mm]

57 3/8in
[1457mm]

D

D

4 3/4in
[122.4mm]

6 1/4in
[160.8mm]

BASE SLEEVE
DETAIL

1" (25mm) Ø HOSE
(SUPPLIED BY EMPEX)

E

E

- (3) LOWER TOY AND BOLT TO INSERTS.
- (2) MAKE PLUMBING CONNECTION.
- (1) BOLT INTSERTS.

2" (50mm) COUPLING
2" (50mm) - 1" (25mm) REDUCER
1" (25mm) HOSEBARB W/ SS CLAMP
TO BE PROVIDED BY CONTRACTOR

1/2" (13mm) X 8" (203mm) 316SS
THREADED ROD, C/W FENDER WASHER,
LOCK WASHER, AND NUT (X4) MINIMUM
6" (152mm) EMBEDMENT EPOXY SET
ANCHOR ADHESIVE
TO BE PROVIDED BY CONTRACTOR

WATERFEED
2" (50mm) SCH 40 PVC PIPE
EXTENDED 6" (152mm) ABOVE SLAB

8in [203mm]

6in [152mm]

F

F



Notes: Overall dimensions of toys are approximate.

© EMPEX WATERTOYS

WATER SUPPLY
30 gpm @ 25 psi
1.89L/S @17.5m

AQUAVROOM

AM104

15/05/2020

SCALE:

Sheet
1 of 1

1

2

3

4