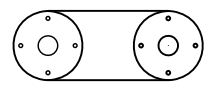
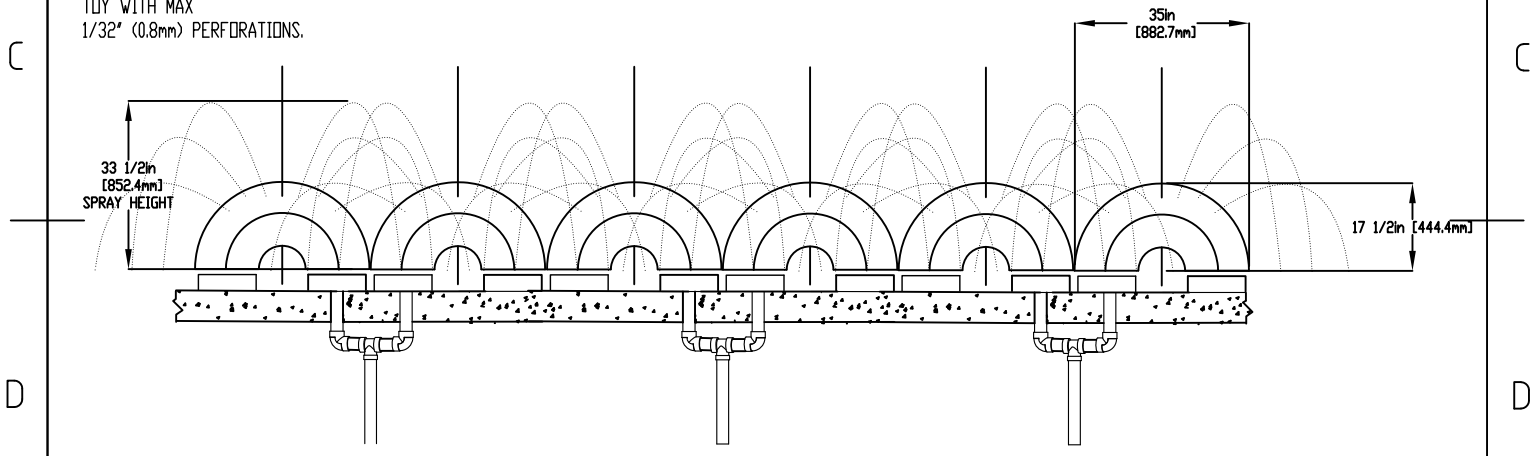


NOTES:

- (1) PURGE ALL WATER SUPPLY LINES TO REMOVE SOLIDS PRIOR TO TOY INSTALLATION.
- (2) PROVIDE ELECTRICAL BOND WITH POOL REBAR.
- (3) INSTALL ALL WATER TOYS PLUMB AND LEVEL.
- (4) PROVIDE STRAINER UPSTREAM OF TOY WITH MAX 1/32" (0.8mm) PERFORATIONS.



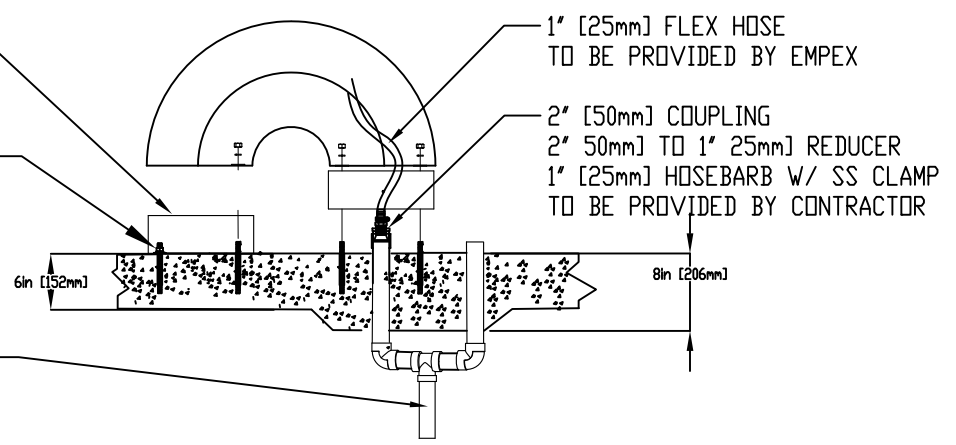
Base Detail



CONNECT PLUMBING TO WATERFEED, LOWER THE TOY AND SECURE ONTO RECEIVER

1/2" (13mm) X 8" (203mm) THREADED ROD, C/W FENDER WASHER LOCK WASHER & NUT (X4 EA SIDE) MINIMUM 6" (152mm) EMBEDMENT, EPOXY SET ANCHOR ADHESIVE TO BE PROVIDED BY CONTRACTOR

WATERFEED 2" [50mm] PVC SCH 40 PIPE EXTENDED 6" (152mm) ABOVE SLAB



1" [25mm] FLEX HOSE TO BE PROVIDED BY EMPEX

2" [50mm] COUPLING 2" 50mm TO 1" 25mm] REDUCER 1" [25mm] HOSEBARB W/ SS CLAMP TO BE PROVIDED BY CONTRACTOR

	Notes: Overall dimensions of toys are approximate.		© EMPEX WATERTOYS	
	WATER SUPPLY EACH TOY 30 gpm @ 25 psi 1.89L/S @17.5m		AQUAGUARD AS106	
			11/22/2022	SCALE: Sheet 1 of 1