

1

2

3

4

A

A

B

B

C

C

D

D

E

E

F

F

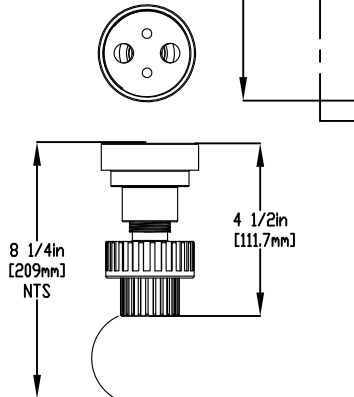
**NOTES:**

- (1) PURGE ALL WATER SUPPLY LINES TO REMOVE SOLIDS PRIOR TO TOY INSTALLATION.
- (2) PROVIDE ELECTRICAL BOND WITH POOL REBAR.
- (3) INSTALL ALL WATER TOYS PLUMB AND LEVEL.
- (4) PROVIDE STRAINER UPSTREAM OF TOY WITH MAX 1/32" (0.8mm) PERFORATIONS.

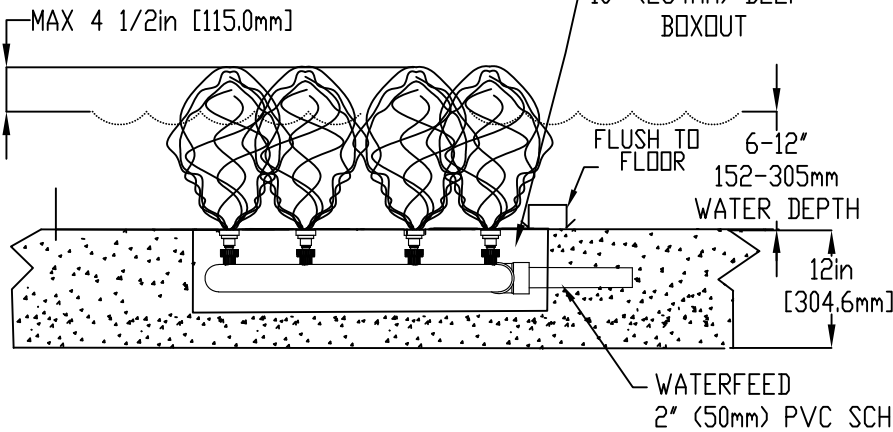
75 1/2in [1920.9mm]

77 1/2in [1968.5mm]

BOX OUT



IF INSTALLED AFTER CONCRETE IS POURED  
 37" (939.8mm) X 35" (889mm)  
 10" (254mm) DEEP  
 BOXOUT



Notes: Overall dimensions of toys are approximate.

© EMPEX WATERTOYS

**WATER SUPPLY**

15 gpm @ 10 psi  
1L/S @ 7m

**LARGE AQUABUB CIRCLE**

J135-8L

24/01/2024

SCALE:

Sheet  
1 of 1

1

2

3

4