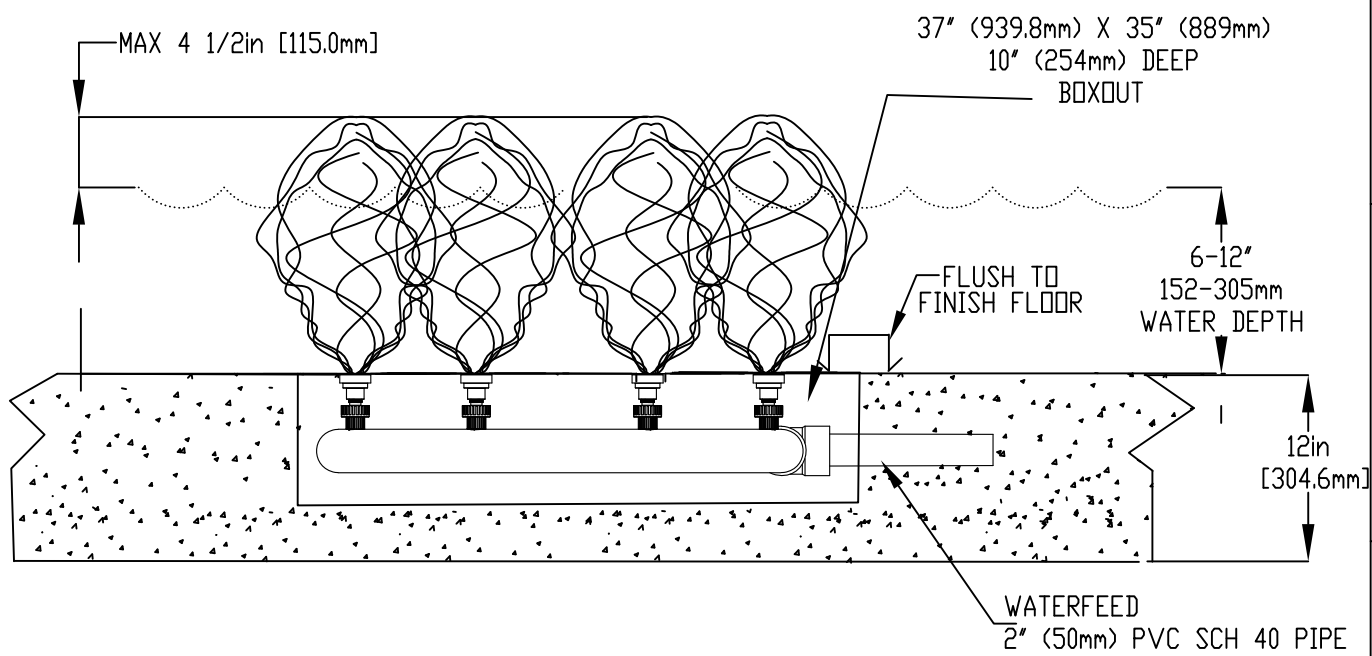
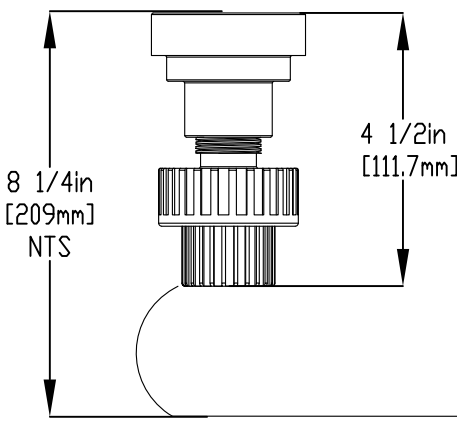
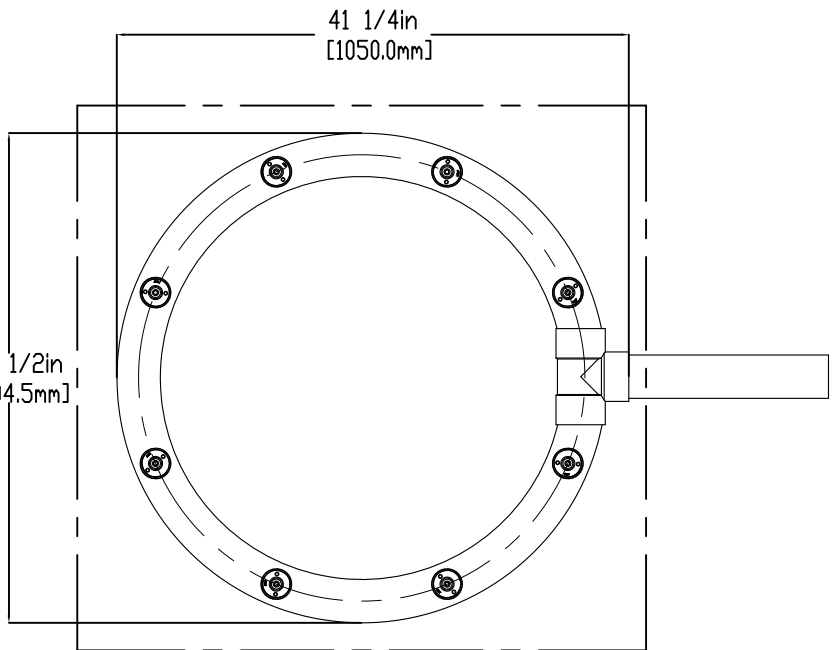


1 | 2 | 3 | 4

NOTES:

- (1) PURGE ALL WATER SUPPLY LINES TO REMOVE SOLIDS PRIOR TO TOY INSTALLATION.
- (2) PROVIDE ELECTRICAL BOND WITH POOL REBAR.
- (3) INSTALL ALL WATER TOYS PLUMB AND LEVEL.
- (4) PROVIDE STRAINER UPSTREAM OF TOY WITH MAX 1/32" (0.8mm) PERFORATIONS.



Notes: Overall dimensions of toys are approximate.

© EMPEX WATERTOYS

WATER SUPPLY
 15 gpm @ 10 psi
 1L/S @ 7m

SMALL AQUABUB CIRCLE

J135-8S	29/06/2022	SCALE:	Sheet 1 of 1
---------	------------	--------	--------------

1 | 2 | 3 | 4