

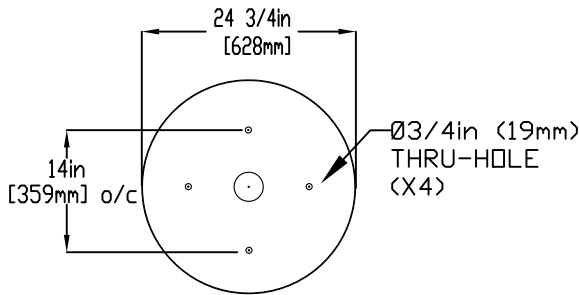
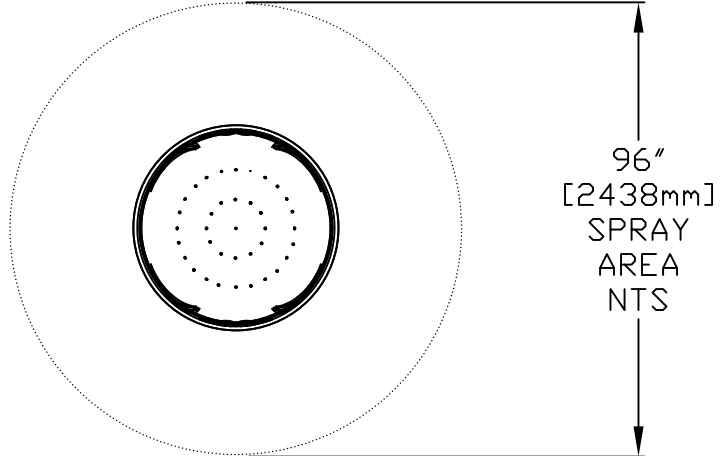
NOTES:

(1) PURGE ALL WATER SUPPLY LINES TO REMOVE SOLIDS PRIOR TO TOY INSTALLATION.

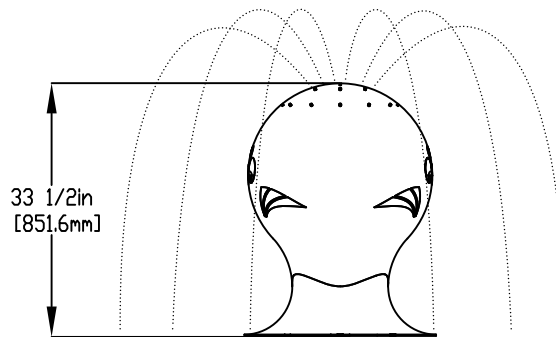
(2) PROVIDE ELECTRICAL BOND WITH POOL REBAR.

(3) INSTALL ALL WATER TOYS PLUMB AND LEVEL.

(4) PROVIDE STRAINER UPSTREAM OF TOY WITH MAX 1/32" (0.8mm) PERFORATIONS.

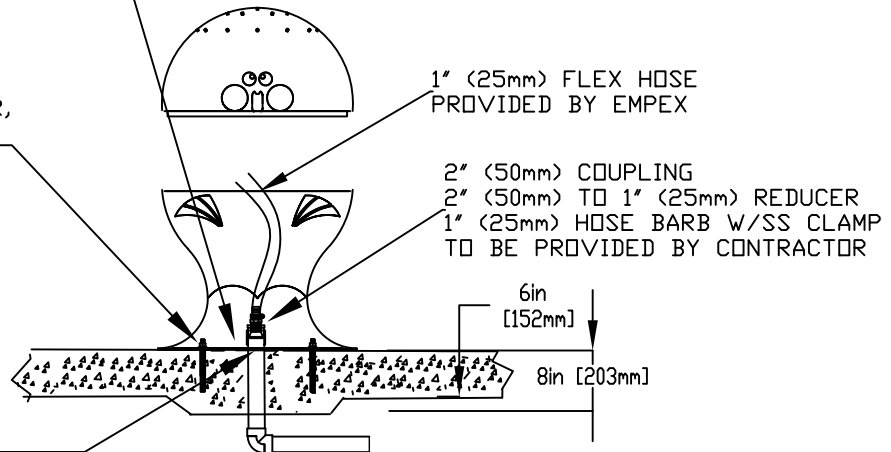


MOUNTING BOLT PATTERN



1. BOLT MOUNTING PLATE WITH FLARED BODY
2. MAKE PLUMBING CONNECTIONS
3. LOWER TOY AND ATTACH TO FLARED BODY

1/2" (13mm) X 8" (203mm) 316SS THREADED ROD, C/W FENDER WASHER, LOCK WASHER & NUT (X6) MINIMUM 6" (152mm) EMBEDMENT, EPOXY SET ANCHOR ADHESIVE TO BE PROVIDED BY CONTRACTOR



WATERFEED
2" (50mm) PVC SCH 40 PIPE
EXTENDED 6" (152mm) ABOVE SLAB.



Notes: Overall dimensions of toys are approximate.
Approximate Weight: 68lbs/30.9kgs per unit

© EMPEX WATERTOYS

WATER SUPPLY PER UNIT

30 gpm @ 25 psi
1.89L/S @17.5m

AQUAPUFF

M510

17/01/2024

SCALE:

Sheet 1 of 1