

NOTES:

(1) PURGE ALL WATER SUPPLY LINES TO REMOVE SOLIDS PRIOR TO TOY INSTALLATION.

(2) PROVIDE ELECTRICAL BOND WITH POOL REBAR.

(3) INSTALL ALL WATER TOYS PLUMB AND LEVEL.

(4) PROVIDE STRAINER UPSTREAM OF TOY WITH MAX 1/32" (0.8mm) PERFORATIONS.

A

B

C

D

E

F

A

B

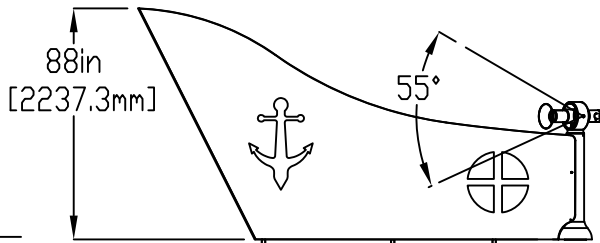
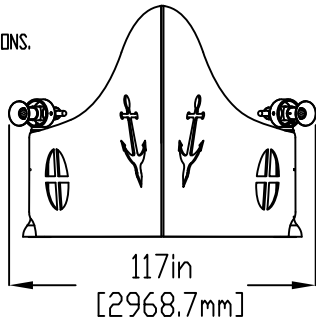
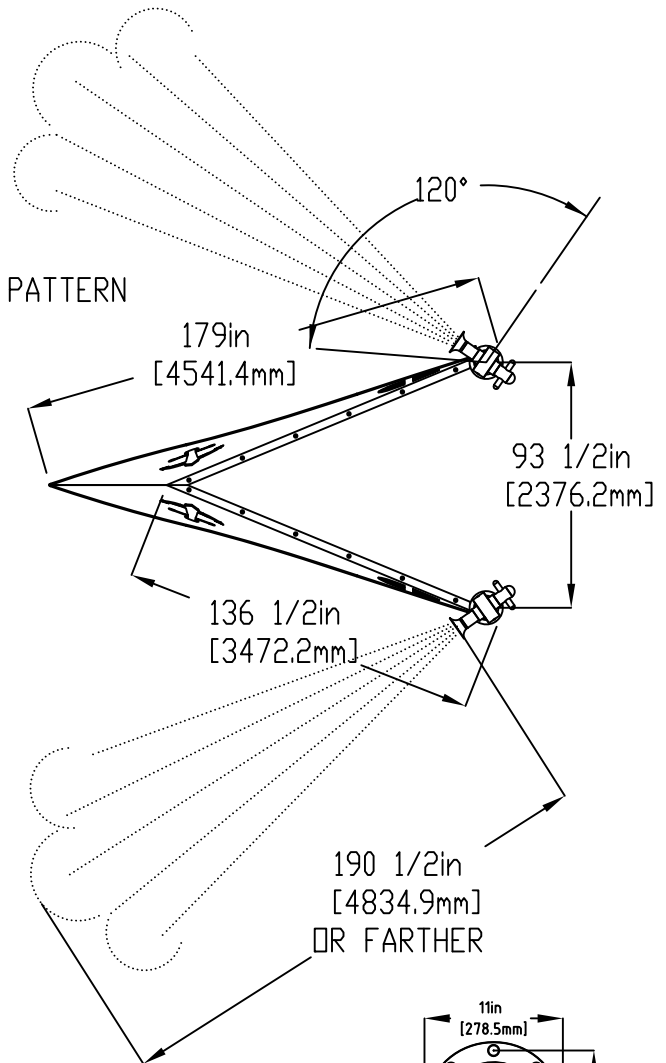
C

D

E

F

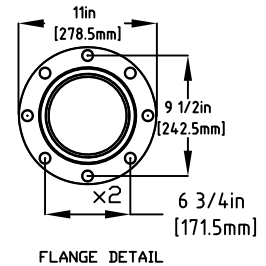
WATER PATTERN



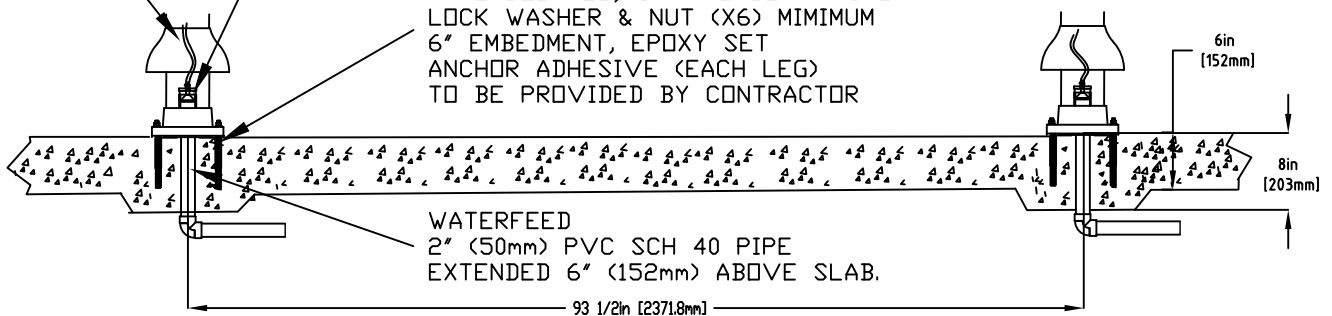
1/2" (13mm) X 1-1/2" (38mm) 316SS COUNTER SINK SCREWS COMPLETE WITH 2" FEMALE ANCHOR, 2" (38mm) EMBEDMENT (PROVIDED BY EMPEX), EPOXY SET ANCHOR ADHESIVE (x6)

2" (50mm) COUPLING
2" (20mm) to 1/2" REDUCER
1/2" HOSEBARB w/316SS CLAMP TO BE PROVIDED BY CONTRACTOR

1/2" (13mm) FLEX HOSE PROVIDED BY EMPEX



5/8" (16mm) X 9" (229mm) 316 SS THREADED ROD, C/W FENDER WASHER LOCK WASHER & NUT (X6) MINIMUM 6" EMBEDMENT, EPOXY SET ANCHOR ADHESIVE (EACH LEG) TO BE PROVIDED BY CONTRACTOR



Notes: Overall dimensions of toys are approximate.

© EMPEX WATERTOYS



WATER SUPPLY EACH

30 GPM @ 25 PSI
1.8 L/S @ 17.5m

AQUAPROW

M521

15/11/2023

SCALE:

Sheet
1 of 1