

1

2

3

4

NOTES:

- (1) PURGE ALL WATER SUPPLY LINES TO REMOVE SOLIDS PRIOR TO TOY INSTALLATION.
- (2) PROVIDE ELECTRICAL BOND WITH POOL REBAR.
- (3) INSTALL ALL WATER TOYS PLUMB AND LEVEL.
- (4) PROVIDE STRAINER UPSTREAM OF TOY WITH MAX 1/32" (0.8mm) PERFORATIONS.

REFER TO INSTALL DIAGRAM FOR ANCHOR PLATE DETAILS

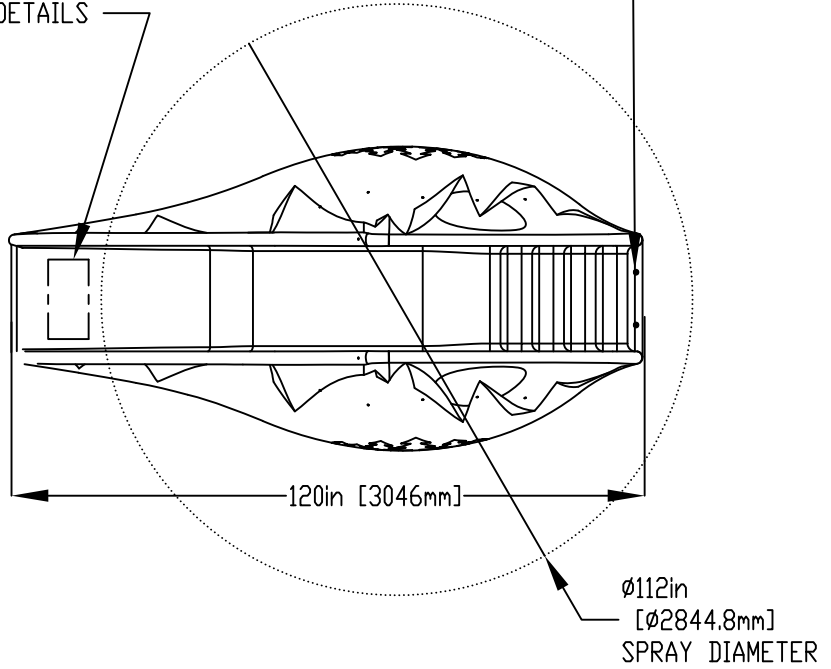
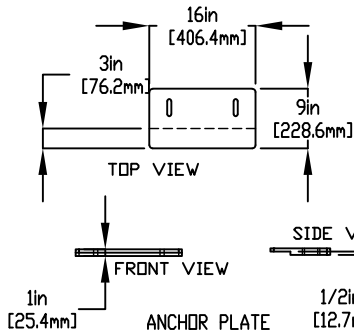
REFER TO INSTALL DIAGRAM FOR ANCHOR DETAILS

A

A

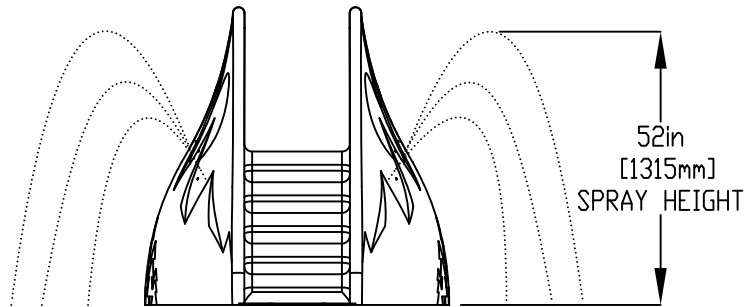
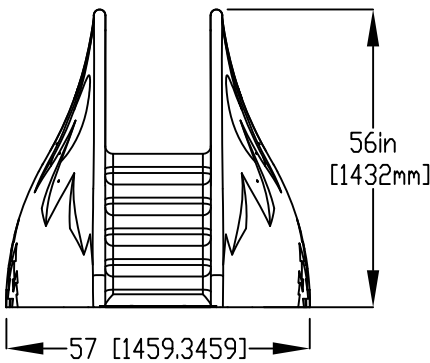
B

B



C

C



D

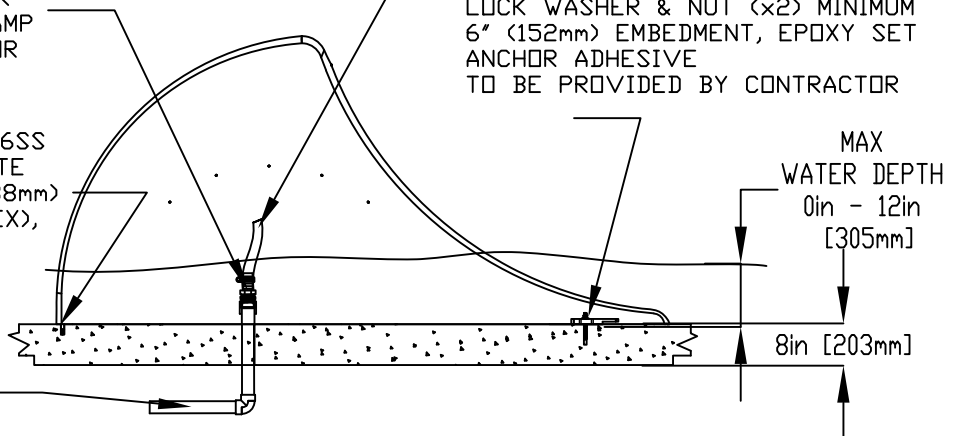
D

2" (50mm) COUPLING
 2" (50mm) TO 1" (25mm) REDUCER
 1" (25mm) HOSE BARB W/SS CLAMP
 TO BE PROVIDED BY CONTRACTOR

1/2" (13mm) X 1-1/2" (38mm) 316SS
 COUNTER SINK SCREWS COMPLETE
 WITH 2" FEMALE ANCHOR, 2" (38mm)
 EMBEDMENT (PROVIDED BY EMPEX),
 EPOXY SET ANCHOR ADHESIVE

2" (50mm) SCH 40 PVC
 WATER FEED TO BE EXTENDED
 8" (200mm) ABOVE SLAB.

1" (25mm) FLEX HOSE
 PROVIDED BY EMPEX
 1/2" (13mm) X 8" (203mm) 316SS
 THREADED ROD C/W FENDER WASHER,
 LOCK WASHER & NUT (x2) MINIMUM
 6" (152mm) EMBEDMENT, EPOXY SET
 ANCHOR ADHESIVE
 TO BE PROVIDED BY CONTRACTOR



E

E

F

F



Notes: Overall dimensions of toys are approximate.

© EMPEX WATERTOYS

WATER SUPPLY

45 gpm @ 20 psi
 2.84 L/S @14.5m

AQUAWAVE MOUNTAIN

T450M

6/11/2018

SCALE:

Sheet 1 of 1

1

2

3

4