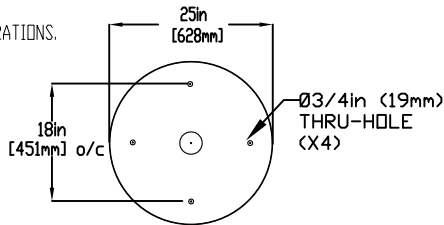


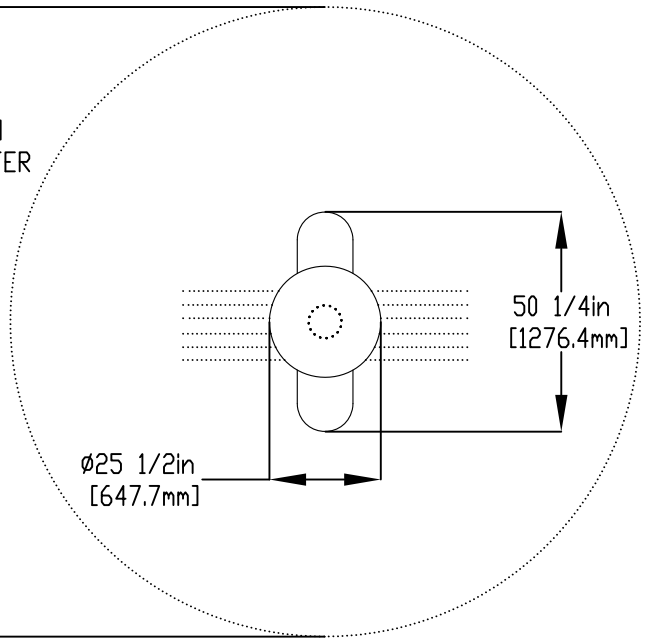
NOTES:

- (1) PURGE ALL WATER SUPPLY LINES TO REMOVE SOLIDS PRIOR TO TOY INSTALLATION.
- (2) PROVIDE ELECTRICAL BOND WITH POOL REBAR.
- (3) INSTALL ALL WATER TOYS PLUMB AND LEVEL.
- (4) PROVIDE STRAINER UPSTREAM OF TOY WITH MAX 1/32" (0.8mm) PERFORATIONS.

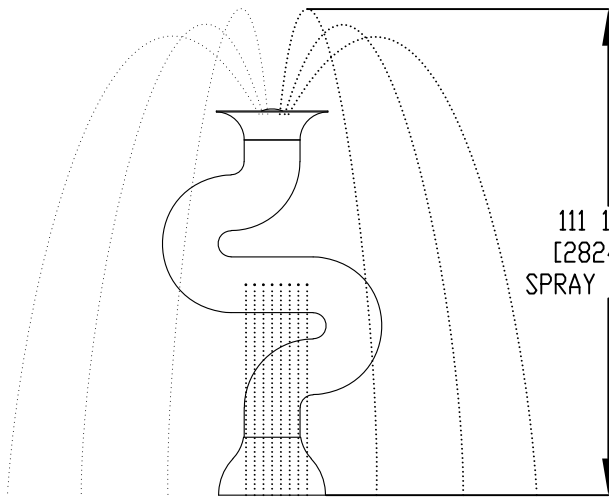


MOUNTING BOLT PATTERN

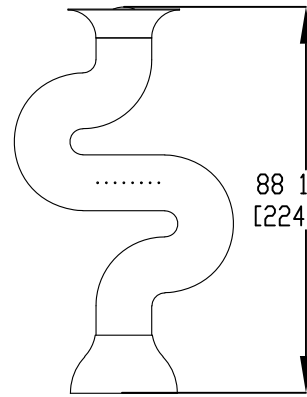
ø144in
[3657.6mm]
SPRAY DIAMETER



111 1/4in
[2824.2mm]
SPRAY HEIGHT



88 1/4in
[2241.3mm]



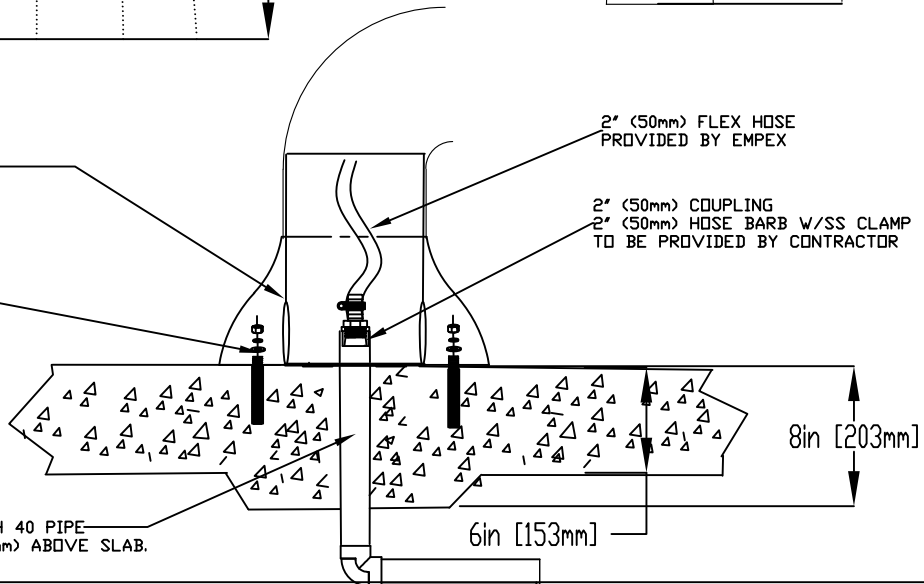
1. Bolt Base with insert through holes at base of the insert sleeve.
2. Make Plumbing connection
3. Lower Toy & Bolt to Insert

5/8" (16mm) X 9" (229mm) 316 SS THREADED ROD, C/W FENDER WASHER LOCK WASHER & NUT (X6) MINIMUM 6" EMBEDMENT, EPOXY SET ANCHOR ADHESIVE (EACH LEG) TO BE PROVIDED BY CONTRACTOR

2" (50mm) FLEX HOSE PROVIDED BY EMPEX

2" (50mm) COUPLING
2" (50mm) HOSE BARB W/SS CLAMP TO BE PROVIDED BY CONTRACTOR

WATERFEED
2" (50mm) PVC SCH 40 PIPE EXTENDED 6" (152mm) ABOVE SLAB.



8in [203mm]

6in [153mm]



Notes: Overall dimensions of toys are approximate.
Approximate Weight: 180lbs / 81.8kgs

© EMPEX WATERTOYS

WATER SUPPLY

60 gpm @ 25 psi
3.79 L/S @17.5m

AQUAZIG

T875

01/05/2020

SCALE:

Sheet 1 of 1