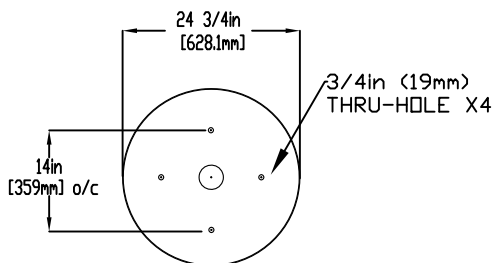
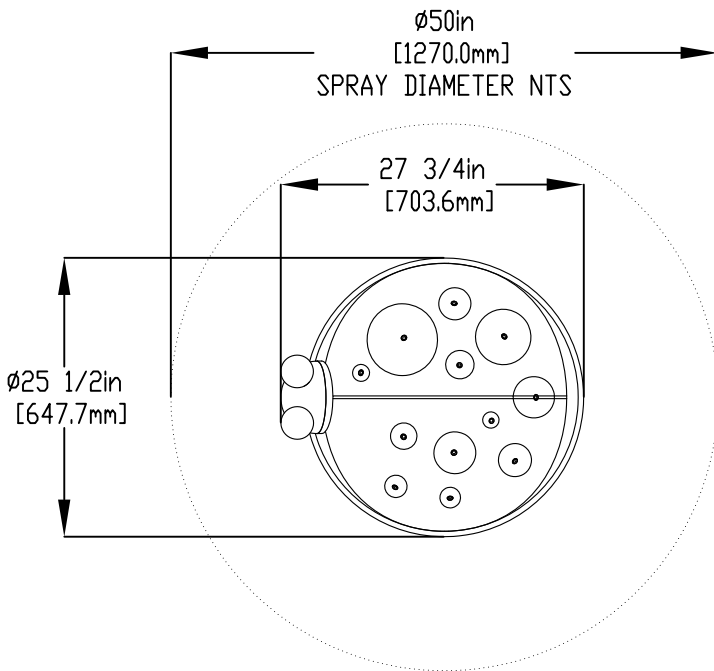
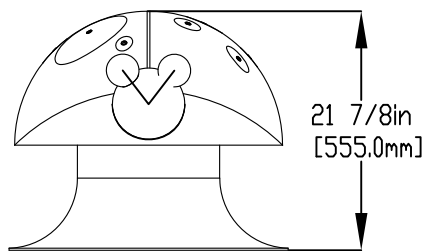


NOTES:

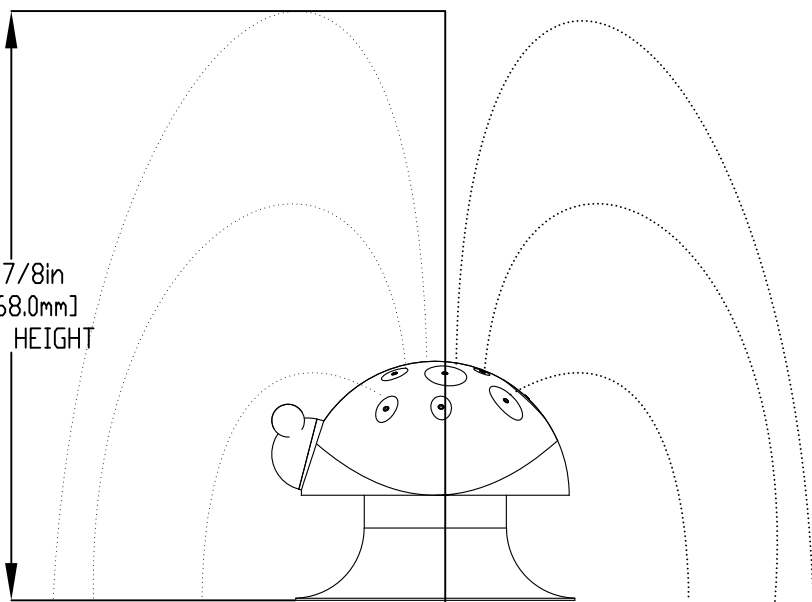
- (1) PROVIDE ELECTRICAL BOND WITH POOL REBAR.
- (2) 2 PART EPOXY MAY BE USED IN LIEU OF INSERT ANCHOR.
- (3) PURGE ALL WATER SUPPLY LINES TO REMOVE SOLIDS PRIOR TO TOY INSTALLATION.
- (4) INSTALL ALL WATER TOYS PLUMB AND LEVEL.
- (5) PROVIDE STRAINER UPSTREAM OF TOY WITH MAX 1/32" (0.8mm) PERFORATIONS.



MOUNTING PLATE DETAIL



53 7/8in [1368.0mm] SPRAY HEIGHT

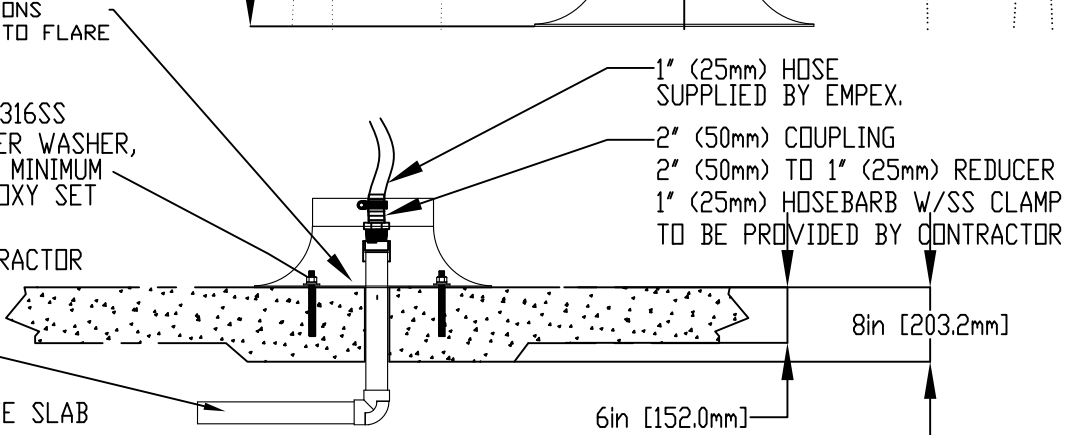


- 1. BOLT MOUNTING PLATE
- 2. MAKE PLUMBING CONNECTIONS
- 3. LOWER TOY AND ATTACH TO FLARE

1/2" (13mm) X 8" (203mm) 316SS THREADED ROD, C/W FENDER WASHER, LOCKWASHER & NUT. (X4) MINIMUM 6" (152mm) EMBEDMENT. EPOXY SET ANCHOR ADHESIVE TO BE PROVIDED BY CONTRACTOR

WATER FEED
2" (50mm) PVC SH40 PIPE EXTENDED 6" (152mm) ABOVE SLAB

- 1" (25mm) HOSE SUPPLIED BY EMPEX.
- 2" (50mm) COUPLING
- 2" (50mm) TO 1" (25mm) REDUCER
- 1" (25mm) HOSEBARB W/SS CLAMP TO BE PROVIDED BY CONTRACTOR



Notes: Overall dimensions of toys are approximate.
Approximate Weight: 46lbs / 20.9kgs

© EMPEX WATERTOYS



WATER SUPPLY

20 gpm @ 25 psi
1.3L/S @ 17.5m

AQUABUG

TR271

1/20/2020

SCALE:

Sheet 1 of 1