

1

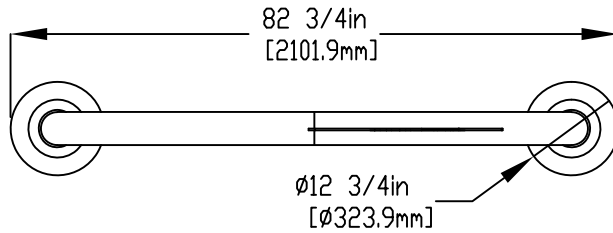
2

3

4

NOTES:

- (1) PURGE ALL WATER SUPPLY LINES TO REMOVE SOLIDS PRIOR TO TOY INSTALLATION.
- (2) PROVIDE ELECTRICAL BOND WITH POOL REBAR.
- (3) INSTALL ALL WATER TOYS PLUMB AND LEVEL.
- (4) PROVIDE STRAINER UPSTREAM OF TOY WITH MAX 1/32" (0.8mm) PERFORATIONS.



A

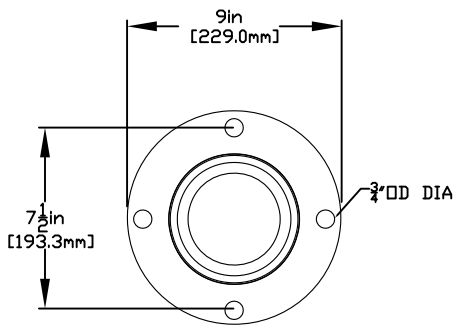
A

B

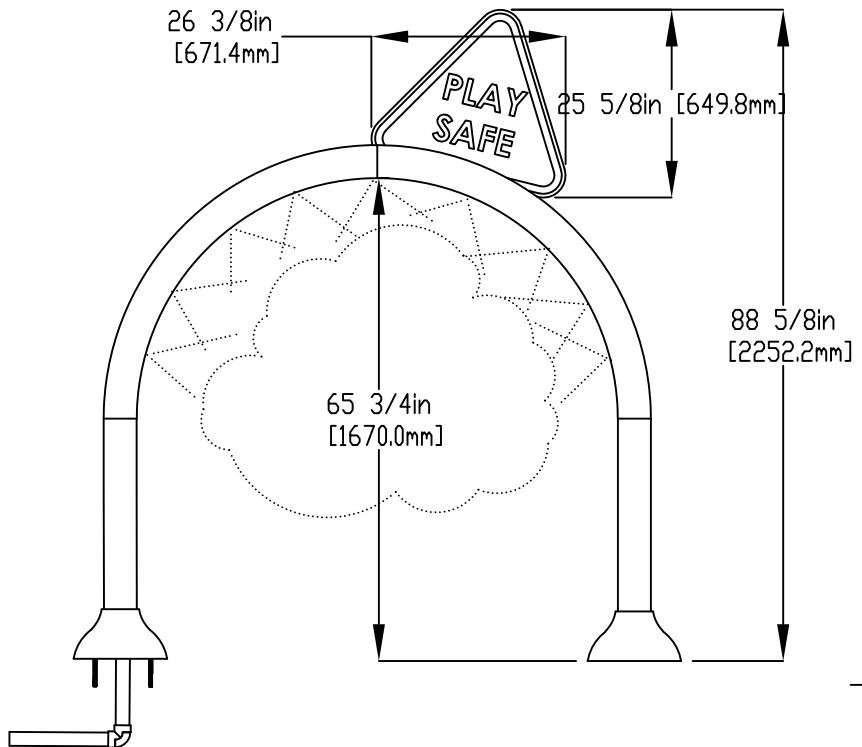
B

C

C



FLANGE DETAIL



D

D

LOWER FLANGE COVERS AFTER TOY IS INSTALLED

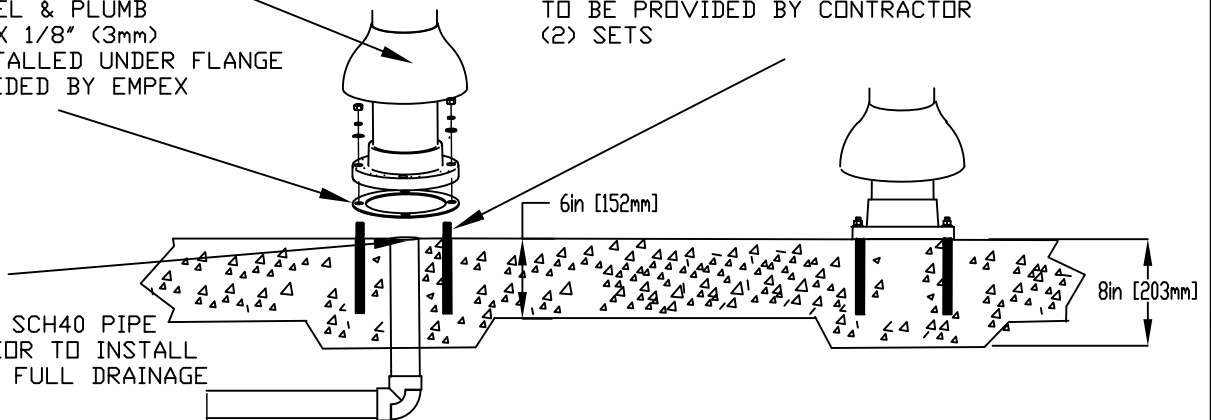
FLOODED COLUMN ENSURE LEVEL & PLUMB (6") 152mm) X 1/8" (3mm) GASKET, INSTALLED UNDER FLANGE TO BE PROVIDED BY EMPEX

1/2" (13mm) X 8" (203mm) 316SS THREADED ROD, C/W FENDER WASHER, LOCK WASHER & NUT (X6) MINIMUM 6" (152mm) EMBEDMENT, EPOXY SET ANCHOR ADHESIVE TO BE PROVIDED BY CONTRACTOR (2) SETS

E

E

WATERFEED 2" (50MM) PVC SCH40 PIPE CUT CLOSE PRIOR TO INSTALL TO ALLOW FOR FULL DRAINAGE



F

F



Notes: Overall dimensions of toys are approximate.
Approximate Weight: 128lbs / 58.2kgs

© EMPEX WATERTOYS

WATER SUPPLY

35 gpm @ 25 psi
2.21L/S @17.5m

AQUABOW MINI

ABU809

12/18/2019

SCALE:

Sheet 1 of 1

1

2

3

4