

NOTES:

- (1) PURGE ALL WATER SUPPLY LINES TO REMOVE SOLIDS PRIOR TO TOY INSTALLATION.
- (2) PROVIDE ELECTRICAL BOND WITH POOL REBAR.
- (3) INSTALL ALL WATER TOYS PLUMB AND LEVEL.
- (4) PROVIDE STRAINER UPSTREAM OF TOY WITH MAX 1/32" (0.8mm) PERFORATIONS.

A

A

B

B

C

C

D

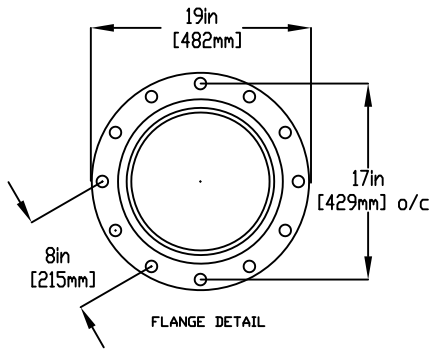
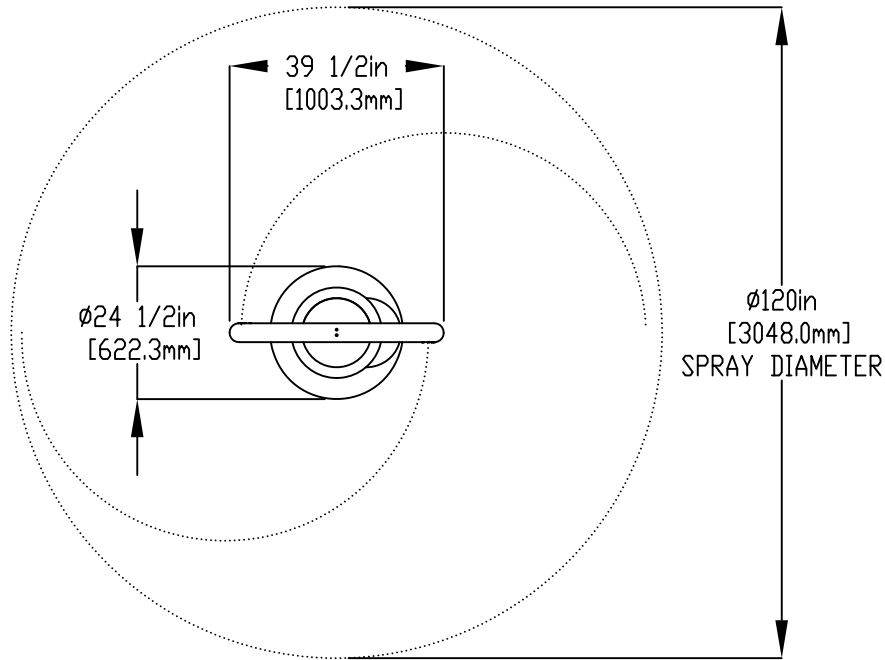
D

E

E

F

F



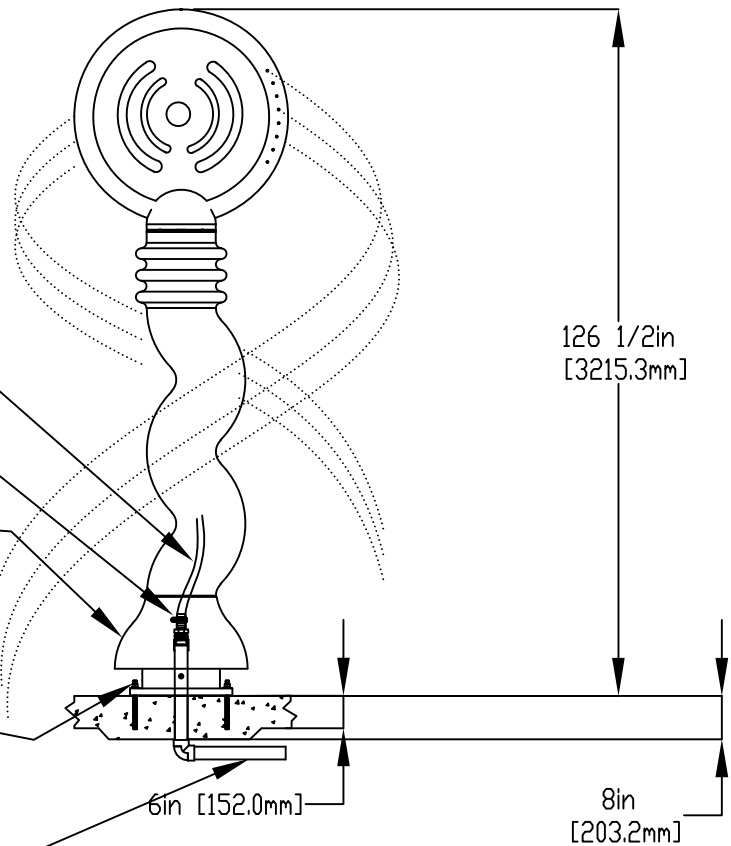
1' (25mm) FLEX HOSE PROVIDED BY EMPEX

2" (50mm) COUPLING
 2" (50mm) TO 1" (25mm) REDUCER
 1" (25mm) HOSEBARB W/SS CLAMP
 TO BE PROVIDED BY CONTRACTOR

LOWER FLANGE COVER AFTER INSTALL.

5/8" (16mm) X 9" (230mm) 316SS
 THREADED ROD, C/W FENDER WASHER,
 LOCK WASHER, & NUT (X6), MINIMUM.
 6" (152mm) EMBEDMENT. EPOXY SET
 ANCHOR ADHESIVE.
 TO BE PROVIDED BY CONTRACTOR

WATERFEED
 2" (50mm) PVC SCH 40 PIPE
 EXTENDED 6" (152mm) ABOVE SLAB.



Notes: Overall dimensions of toys are approximate.
 Approximate Weight: 136lbs / 61.8kgs

© EMPEX WATERTOYS

WATER SUPPLY
 30 gpm @ 25 psi
 1.89L/S @17.5m

AQUARADR

AE101

20/07/2022

SCALE:

Sheet
 1 of 1