

1

2

3

4

NOTES:

- (1) PURGE ALL WATER SUPPLY LINES TO REMOVE SOLIDS PRIOR TO TOY INSTALLATION.
- (2) PROVIDE ELECTRICAL BOND WITH POOL REBAR.
- (3) INSTALL ALL WATER TOYS PLUMB AND LEVEL.
- (4) PROVIDE STRAINER UPSTREAM OF TOY WITH MAX 1/32" (0.8mm) PERFORATIONS.

A

A

B

B

C

C

D

D

E

E

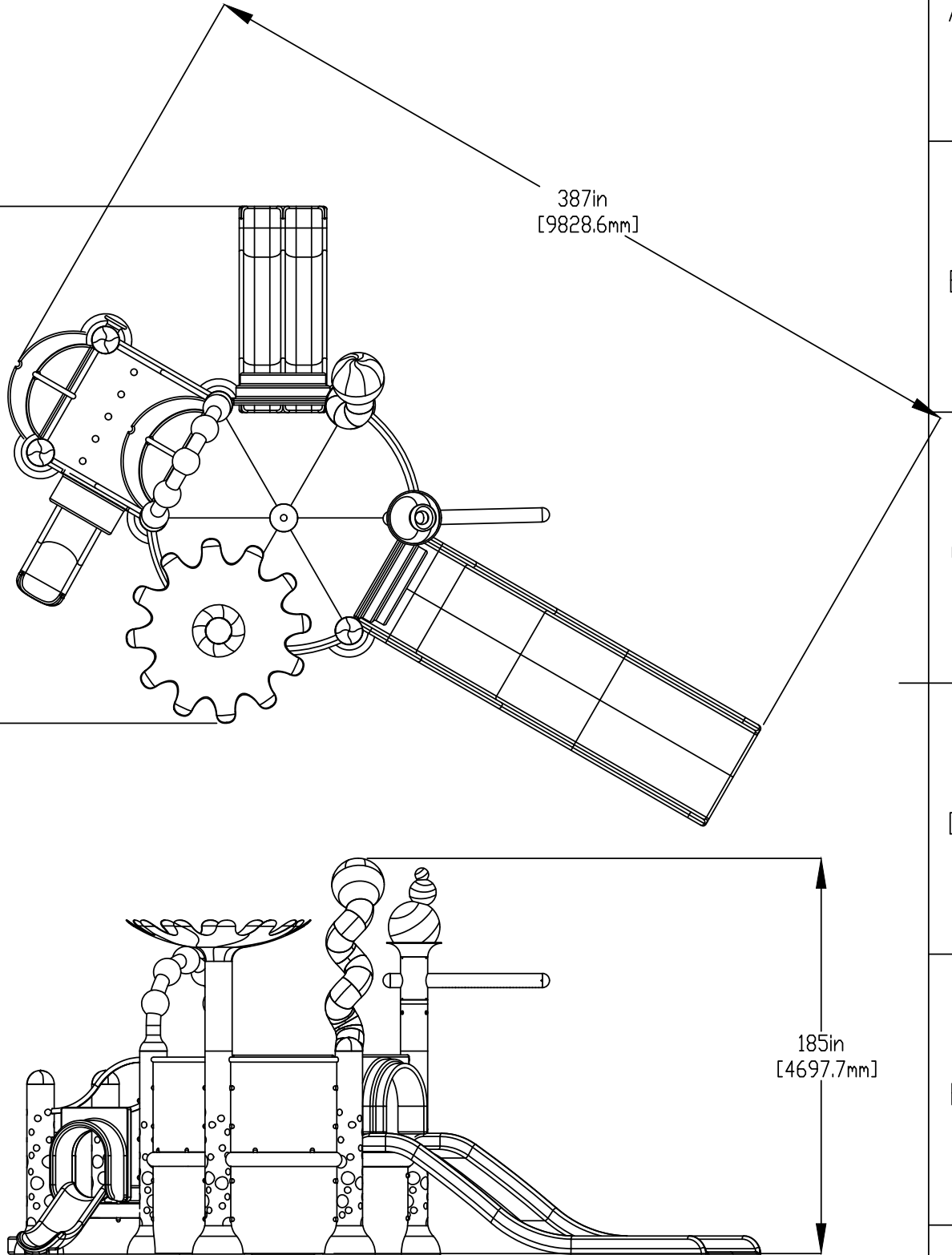
F

F

242in
[6142.6mm]

387in
[9828.6mm]

185in
[4697.7mm]



Notes: Overall dimensions of toys are approximate.

© EMPEX WATERTOYS

WATER SUPPLY

260 gpm @ 25 psi
16.4 L/S @17.5m

AQUADEK DOLCE

C410-AD-1L2S

1/10/2019

SCALE:

Sheet
1 of 3

1

2

3

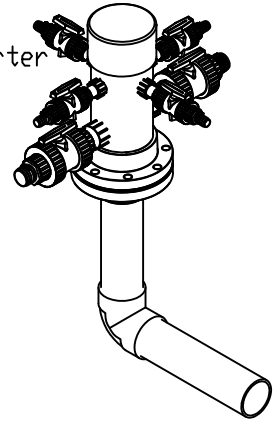
4

MANIFOLD PROVIDED BY EMPEX

- (4) 1" (25mm) VALVES:
 - (1) Aquastream
 - (1) Aquatwist
 - (1) Aquarolo

- (1) 1" (25mm) VALVE-Diverter
 - (5) Vertical Jets
 - (2) Finial

- (2) 2" (50mm) VALVES:
 - (1) Aquafolo
 - (1) Lane Slide



6" (152mm) FLANGE PROVIDED BY EMPEX

[647.06mm] 25.47in

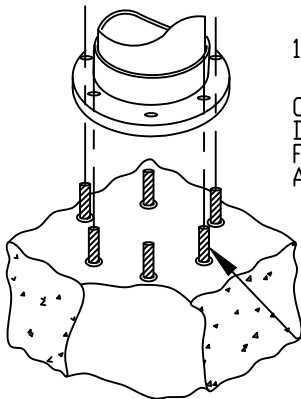
POOL SLAB

4"(100mm)-6"(152mm) REDUCING FLANGE TO BE PROVIDED BY CONTRACTOR

WATERFEED 4" (100mm) PVC SCH 40 EXTENDED 6" (152mm) ABOVE SLAB

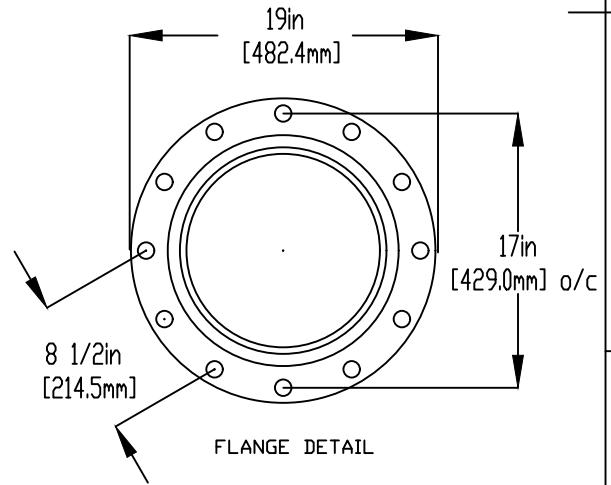
12" (300mm) COLUMN

CONCRETE TO BE DRILLED ON SITE FOR PLACEMENT OF ANCHORS.

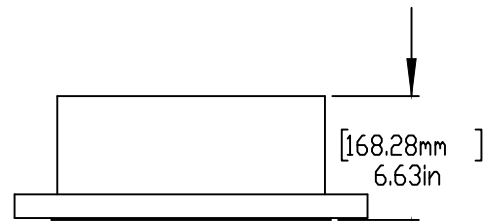


12" (300mm) MIN SLAB THICKNESS

5/8 (16mm) x 11" (280mm) 316SS THREADED ROD, FENDER WASHER LOCK WASHER & NUT (X6), MINIMUM 6" (152mm) EMBEDMENT, EPOXY SET ANCHOR ADHESIVE TO BE PROVIDED BY CONTRACTOR



FLANGE DETAIL



Notes: Overall dimensions of toys are approximate.

© EMPEX WATERTOYS

WATER SUPPLY

260 gpm @ 25 psi
16.4 L/S @17.5m

AQUADEK DOLCE

C410-AD-1L2S

08/09/2022

SCALE:

Sheet 2 of 3

NOTES:

(1) PURGE ALL WATER SUPPLY LINES TO REMOVE SOLIDS PRIOR TO TOY INSTALLATION.

(2) PROVIDE ELECTRICAL BOND WITH POOL REBAR.

(3) INSTALL ALL WATER TOYS PLUMB AND LEVEL.

(4) PROVIDE STRAINER UPSTREAM OF TOY WITH MAX 1/32" (0.8mm) PERFORATIONS.

A

A

B

B

C

C

D

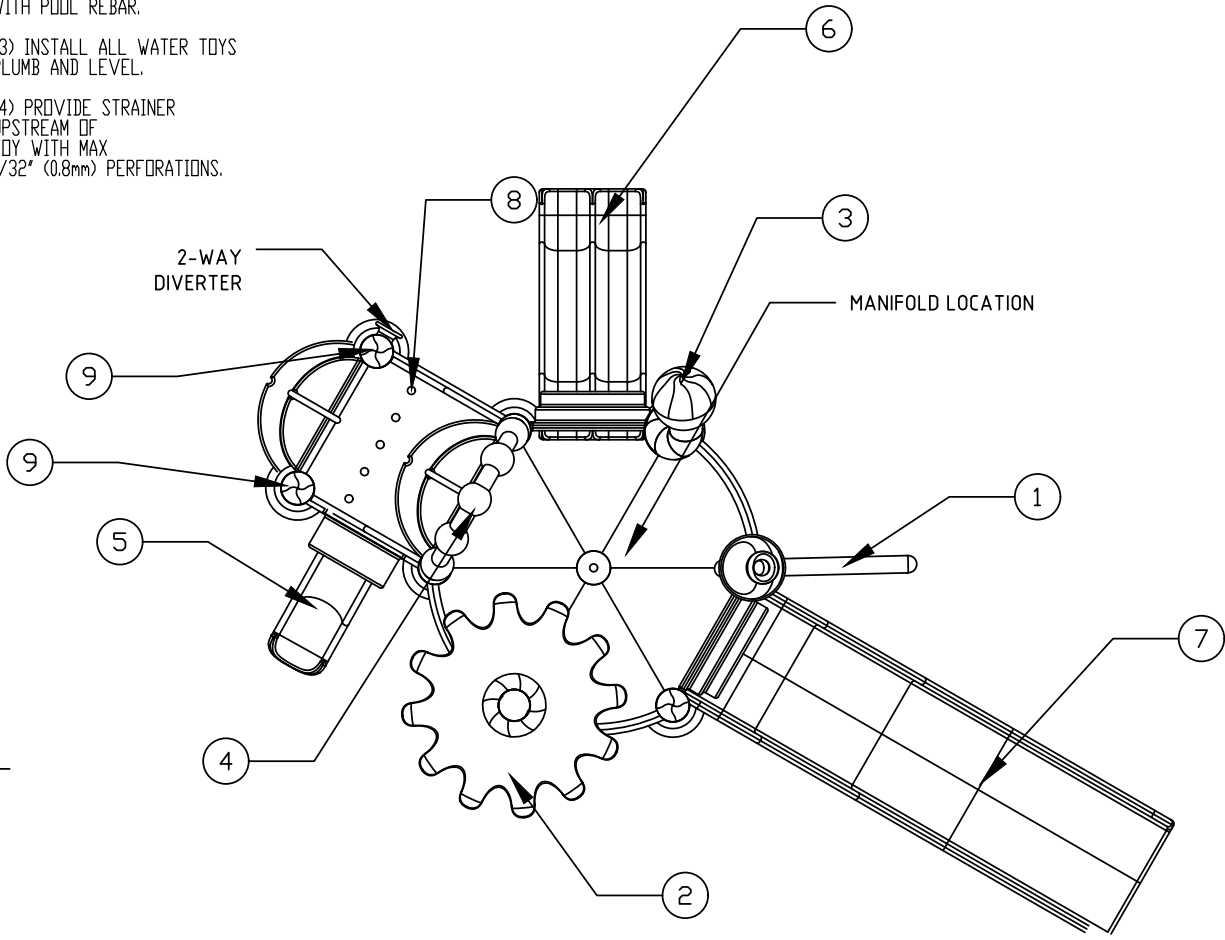
D

E

E

F

F



No.	Toy	Description	No. Event
1	Aquastream	High Level Downward Nozzles	1
2	Aquafolo	Multiply water drops	1
3	Aquatwist	Laminar Crown Spray	1
4	Aquarolo	soft conical spray inward	1
5	Single Slide	Single Lane Slide	1
6	Triple Rail Slide	Double Lane Open Slide	1
7	Lane Slide	Wide Open Slide	1
.	2-Way Diverter		
8	Vertical Jetz	vertical spray	1
9	Final	Laminar sprays	1
.		TOTALS	9



Notes: Overall dimensions of toys are approximate.

© EMPEX WATERTOYS

WATER SUPPLY
 260 gpm @ 25 psi
 16.4 L/S @17.5m

AQUADEK DOLCE

C410-AD-1L2S

1/10/2019

SCALE:

Sheet 3 of 3