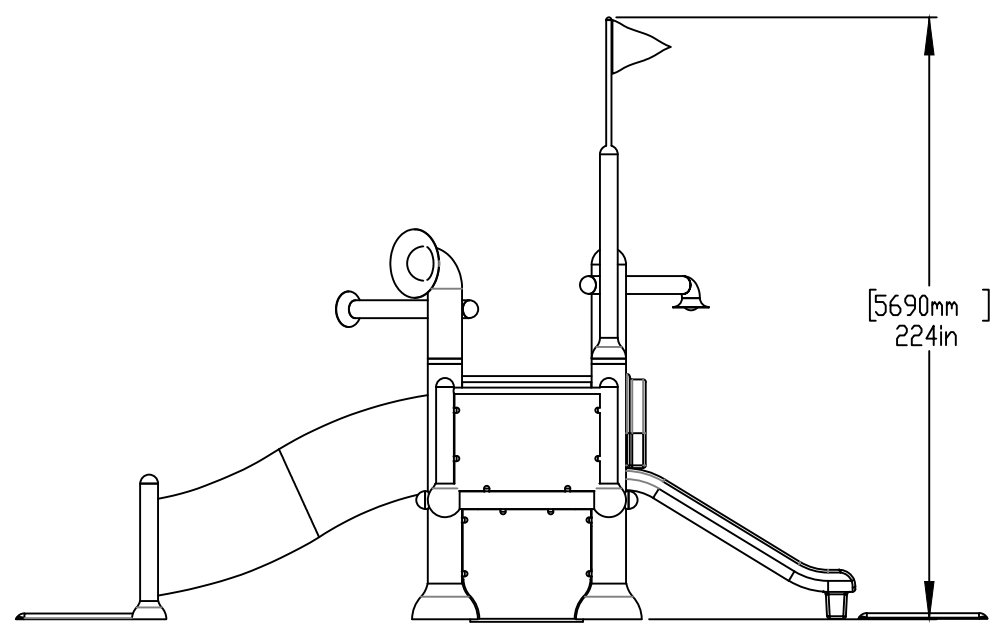
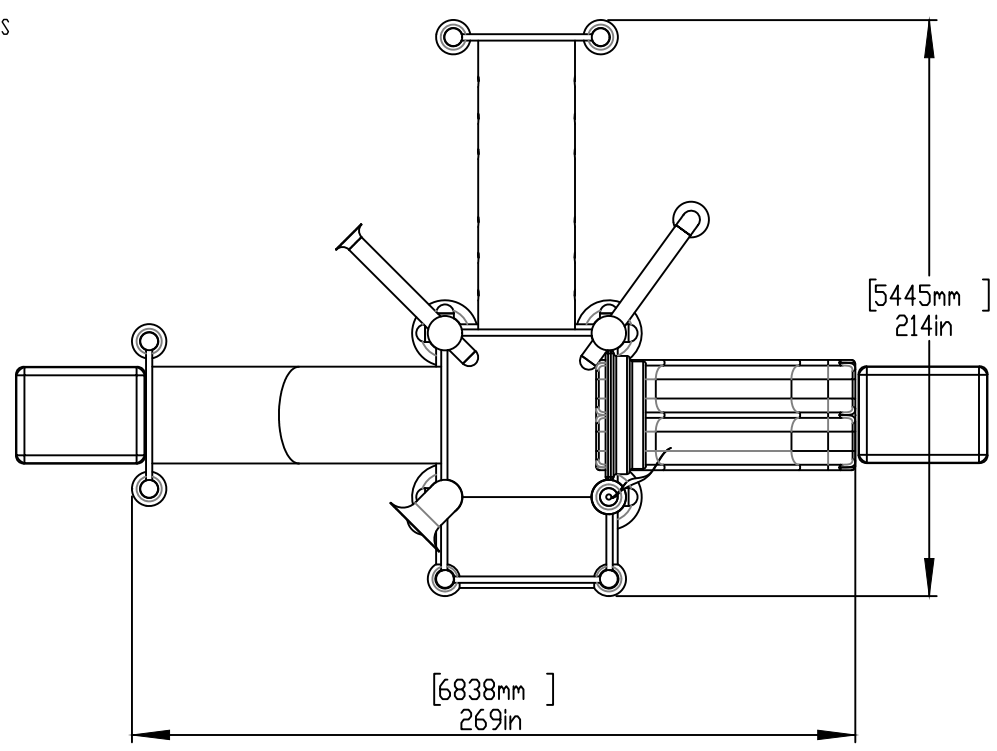



NOTES:

- (1) PURGE ALL WATER SUPPLY LINES TO REMOVE SOLIDS PRIOR TO TOY INSTALLATION.
- (2) PROVIDE ELECTRICAL BOND WITH POOL REBAR.
- (3) INSTALL ALL WATER TOYS PLUMB AND LEVEL.
- (4) PROVIDE STRAINER UPSTREAM OF TOY WITH MAX 1/32" (0.8mm) PERFORATIONS.



	Notes: Overall dimensions of toys are approximate.		© EMPEX WATERTOYS		
	<u>WATER SUPPLY</u> 190 gpm @ 25 psi 13.86 L/S @17.5m		AQUADEK T410-1A		
			8/7/2020	SCALE:	Sheet 1 of 3

MANIFOLD PROVIDED BY EMPEX

6" (152mm) FLANGE
6" (152mm) X 1/8" (3mm) GASKET
TO BE PROVIDED BY EMPEX

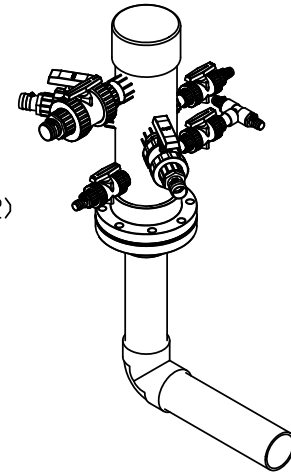
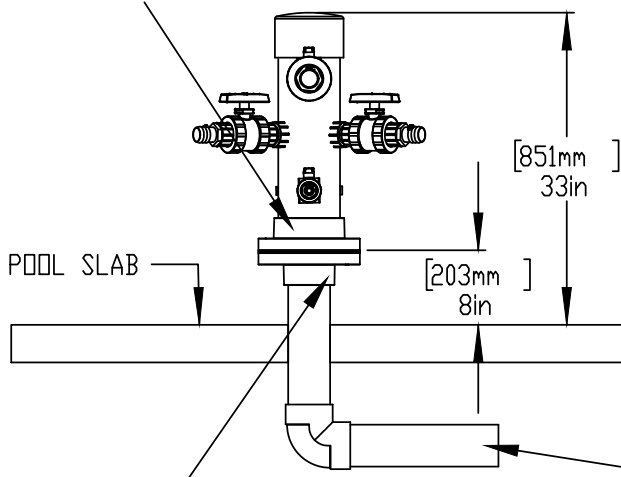
- (1) 2" (50mm) VALVES:
AQUAFALL
- (2) 1.5" (38mm) VALVES:
AQUAFLARE
FLAG POLE
- (3) 1" (25mm) VALVES:
AQUASHOWER
AQUACURTAIN
FINGER SHOOTER (X2)

A

A

B

B

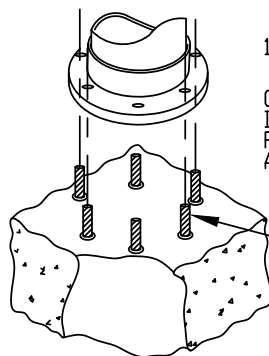


6" (152mm) X 4" (101mm)
REDUCING FLANGE
TO BE PROVIDED BY CONTRACTOR

WATERFEED
4" (101mm) PVC SCH 40 PIPE
EXTENDED 6" (152mm) ABOVE SLAB.

C

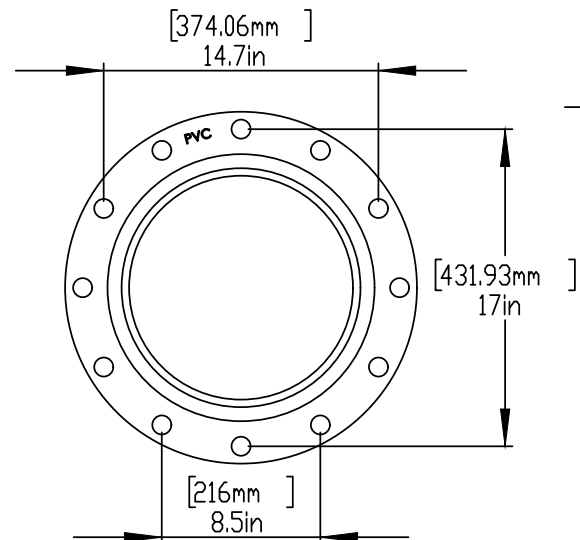
C



12" (300mm) COLUMN
CONCRETE TO BE
DRILLED ON SITE
FOR PLACEMENT OF
ANCHORS.

12" (300mm) MIN
SLAB THICKNESS

5/8" (16mm) X 9" (229mm) 316 SS
THREADED ROD, C/W FENDER WASHER
LOCK WASHER & NUT (X6) MINIMUM
6" EMBEDMENT, EPOXY SET
ANCHOR ADHESIVE (EACH LEG)
TO BE PROVIDED BY CONTRACTOR

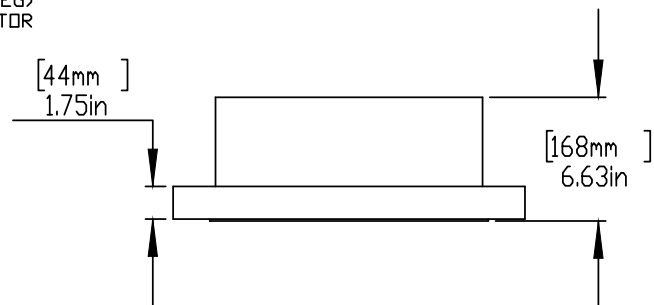


D

D

E

E



F

F



Notes: Overall dimensions of toys are approximate.

© EMPEX WATERTOYS

WATER SUPPLY

190 gpm @ 25 psi
13.86 L/S @17.5m

AQUADEK

T410-1A

8/7/2020

SCALE:

Sheet
2 of 3

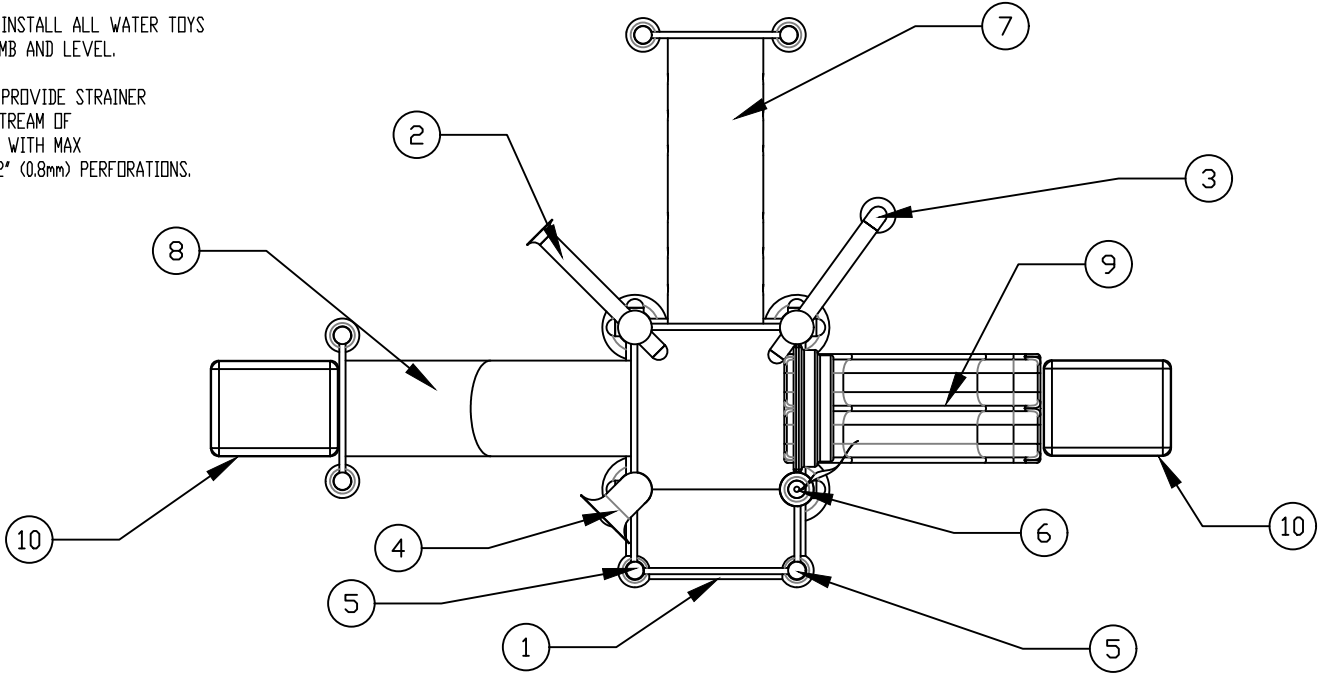
NOTES:

(1) PURGE ALL WATER SUPPLY LINES TO REMOVE SOLIDS PRIOR TO TOY INSTALLATION.

(2) PROVIDE ELECTRICAL BOND WITH POOL REBAR.

(3) INSTALL ALL WATER TOYS PLUMB AND LEVEL.

(4) PROVIDE STRAINER UPSTREAM OF TOY WITH MAX 1/32" (0.8mm) PERFORATIONS.



No.	Toy	Description	No. Events	MAX GPM	MAX LTPS
1	Aquacurtain	Series of Soft downward sprays	1	30	1.89
2	Aquafall	Lateral Stream Water Fall	1	30	3.78
3	Aquashower	Laminar Spray	1	30	1.89
4	Aquaflare	Cascading Waterspray	1	30	1.89
5	Finger Shooter	Laminar Sprays	2	40	2.52
6	Flag Pole	Laminar Spray	1	30	1.89
7	Tube Crawler	36Ø 4ft Tube Crawler	1		
8	Tube Slide	36Ø 4ft Tube Side	1		
9	Triple Rail Slide	Two Lane Racing Slide	1		
10	Landing Pad	Optional (not included with Dek)			
TOTALS			10	190	13.86



Notes: Overall dimensions of toys are approximate.

© EMPEX WATERTOYS

WATER SUPPLY
190 gpm @ 25 psi
13.86 L/S @17.5m

AQUADEK

T410-1A

8/7/2020

SCALE:

Sheet
3 of 3