

1

2

3

4

A

A

B

B

C

C

D

D

E

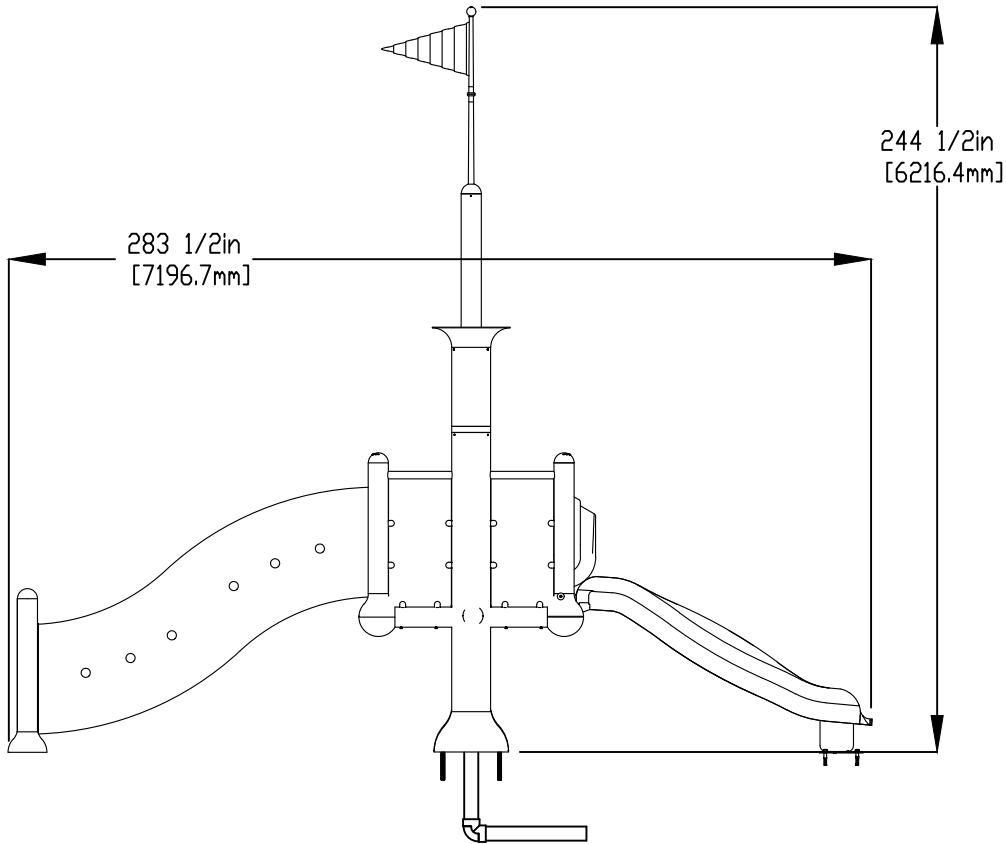
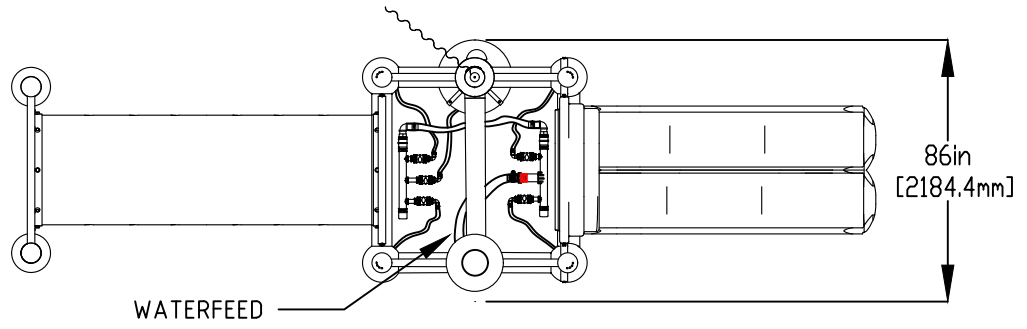
E

F

F

NOTES:

- (1) PROVIDE ELECTRICAL BOND WITH POOL REBAR.
- (2) 2 PART EPOXY MAY BE USED IN LIEU OF INSERT ANCHOR.
- (3) PURGE ALL WATER SUPPLY LINES TO REMOVE SOLIDS PRIOR TO TOY INSTALLATION.
- (4) INSTALL ALL WATER TOYS PLUMB AND LEVEL.
- (5) PROVIDE STRAINER UPSTREAM OF TOY WITH MAX 1/32" (0.8mm) PERFORATIONS.



Notes : Overall dimensions of Toys Approximate

© EMPEX WATER TOYS

WATER SUPPLY

110 gpm @ 25 psi
6.93L/S @17.5m

AQUADEK

T410-2C

14/02/2024

Scale

Sheet
1 of 3

1

2

3

4

1

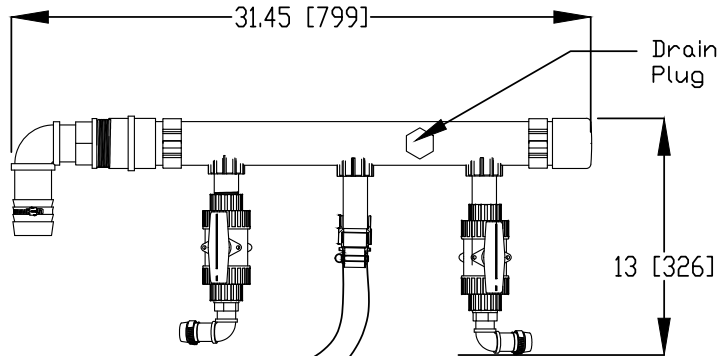
2

3

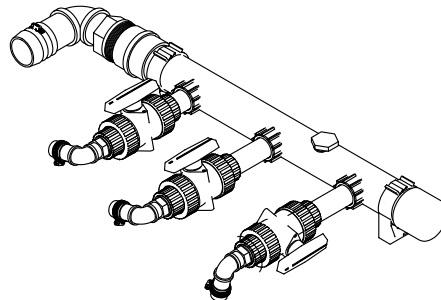
4

MANIFOLD SUPPLIED BY EMPEX (X2)

A

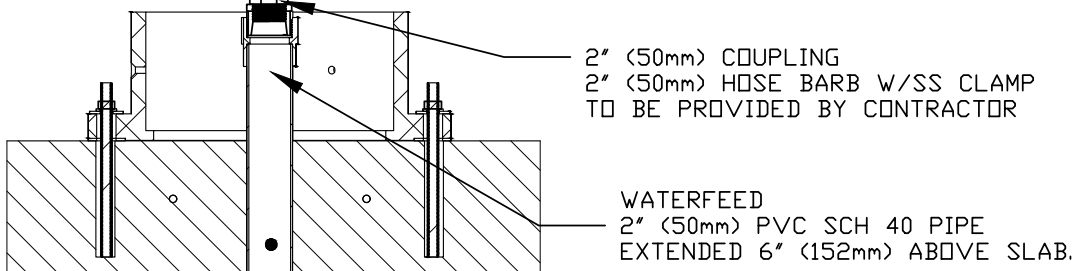


(5) 1" Valves:
 (1) Aquaflag
 (4) Finger Shooters



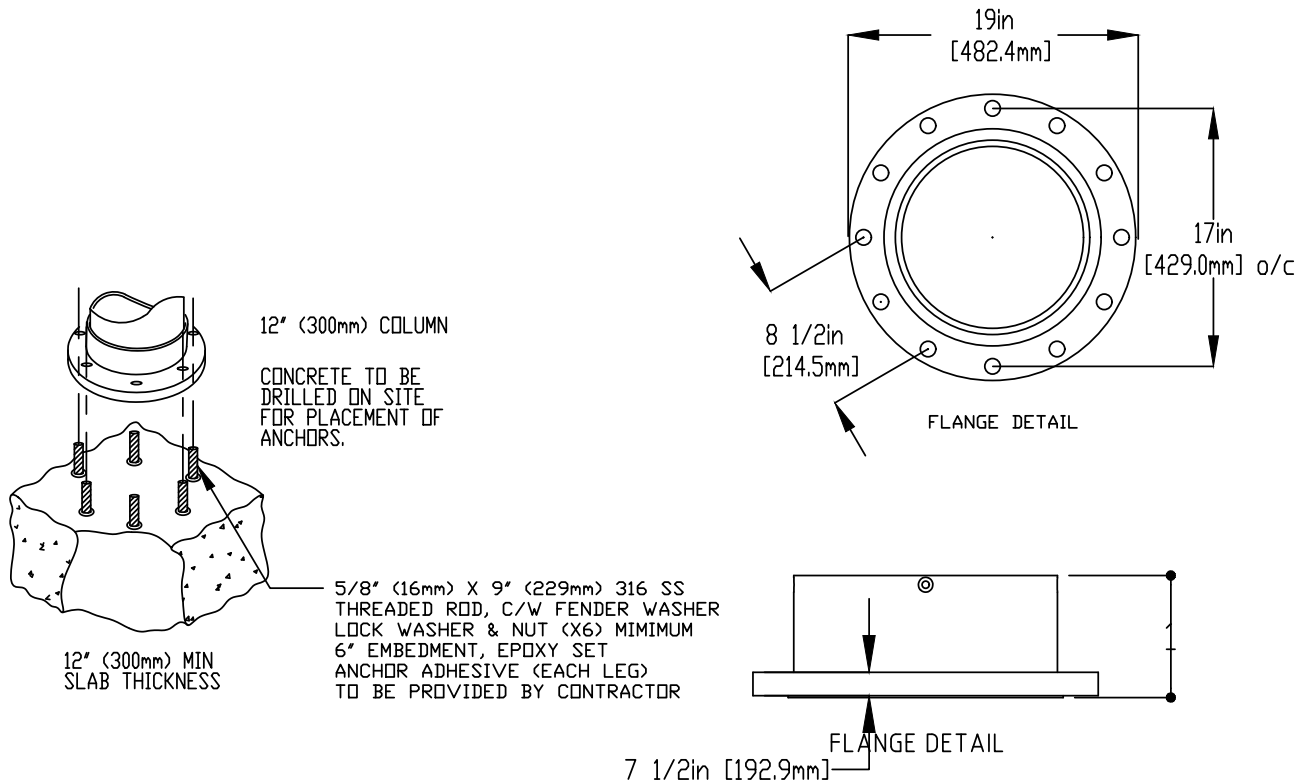
B

C



D

E



F



Notes: Overall dimensions of toys are approximate.

© EMPEX WATERTOYS

WATER SUPPLY
 110 gpm @ 25 psi
 6.93L/S @17.5m

AQUADEK

T410-2C

14/02/2024

Sheet
 2 of 3

1

2

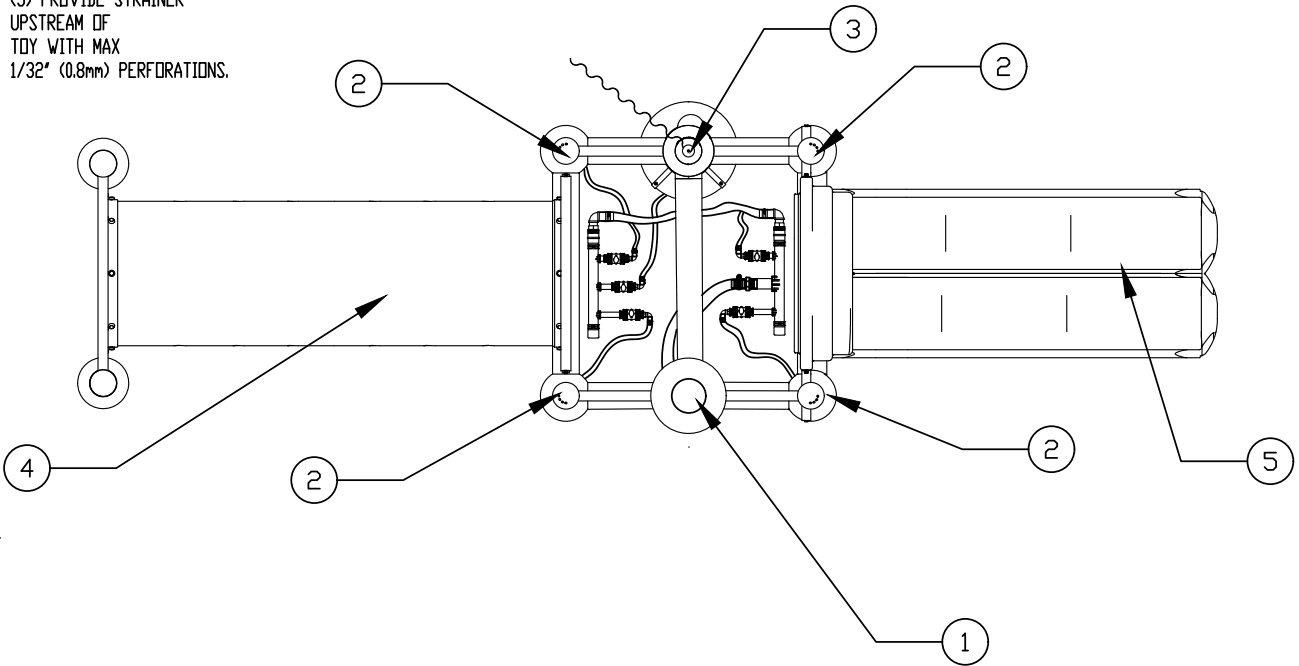
3

4

F

NOTES:

- (1) PROVIDE ELECTRICAL BOND WITH POOL REBAR.
- (2) 2 PART EPOXY MAY BE USED IN LIEU OF INSERT ANCHOR.
- (3) PURGE ALL WATER SUPPLY LINES TO REMOVE SOLIDS PRIOR TO TOY INSTALLATION.
- (4) INSTALL ALL WATER TOYS PLUMB AND LEVEL.
- (5) PROVIDE STRAINER UPSTREAM OF TOY WITH MAX 1/32" (0.8mm) PERFORATIONS.



No.	Toy	Description	No. Events	MAX GPM	MAX LTPS
1	Aquashroom	No Spray	1		
2	Finger Shooter	Laminar Sprays	4	80	5.04
3	Flag Pole	Laminar Spray	1	30	1.89
4	Tube Crawler	36Ø 4ft Tube Crawler	1		
5	Triple Rail Slide	Two Lane Racing Slide	1		
TOTALS			8	110	6.93



Notes : Overall Dimensions of Toys Approximate

© EMPEX WATER TOYS

WATER SUPPLY
 110 gpm @ 25 psi
 6.93L/S @17.5m

AQUADEK

T410-2C

14/02/2024

Scale

Sheet
3 of 3