

1

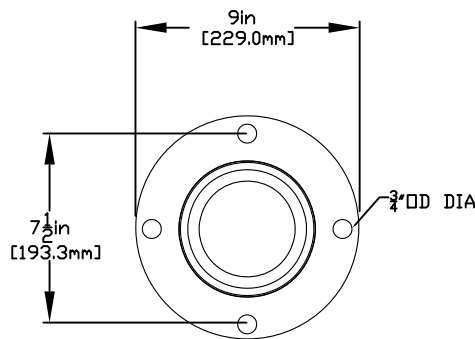
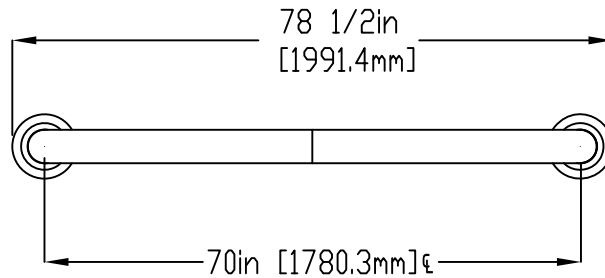
2

3

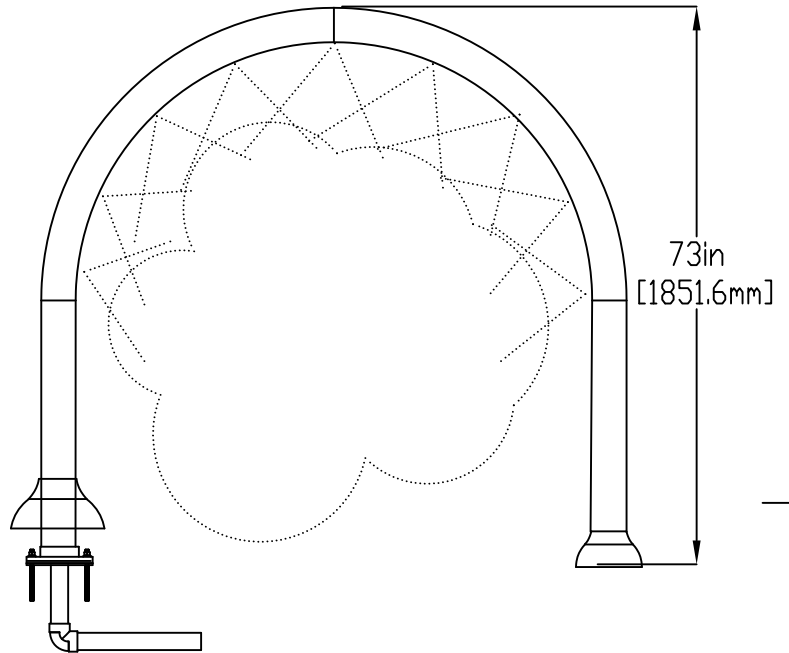
4

NOTES:

- (1) PURGE ALL WATER SUPPLY LINES TO REMOVE SOLIDS PRIOR TO TOY INSTALLATION.
- (2) PROVIDE ELECTRICAL BOND WITH POOL REBAR.
- (3) INSTALL ALL WATER TOYS PLUMB AND LEVEL.
- (4) PROVIDE STRAINER UPSTREAM OF TOY WITH MAX 1/32" (0.8mm) PERFORATIONS.



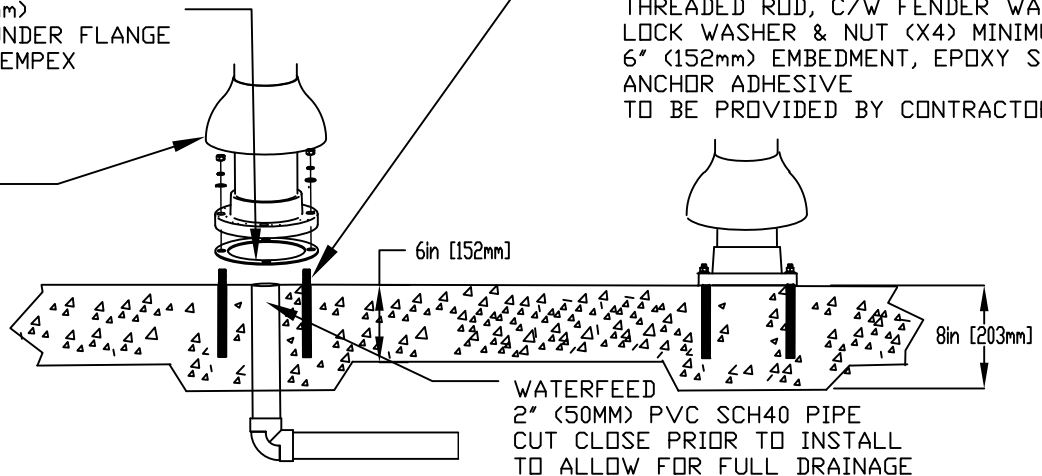
FLANGE DETAIL



FLOODED COLUMN
ENSURE LEVEL & PLUMB
4" (101mm) X 1/8" (3mm)
GASKET, INSTALLED UNDER FLANGE
TO BE PROVIDED BY EMPEX

BOTH COLUMNS
1/2" (13mm) X 8" (203mm) 316SS
THREADED ROD, C/W FENDER WASHER,
LOCK WASHER & NUT (X4) MINIMUM
6" (152mm) EMBEDMENT, EPOXY SET
ANCHOR ADHESIVE
TO BE PROVIDED BY CONTRACTOR

LOWER FLANGE
COVERS AFTER TOY
IS INSTALLED



Notes: Overall dimensions of toys are approximate.
Approximate Weight: 134lbs/ 60.9kgs

© EMPEX WATERTOYS



WATER SUPPLY

30gpm @ 25 psi
1.89L/S @17.5m

AQUABOW MIDI

T809M

24/05/2023

SCALE:

Sheet
1 of 1

1

2

3

4