

1

2

3

4

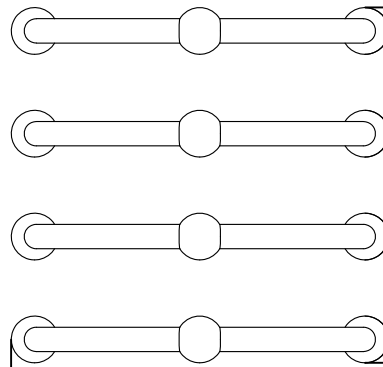
NOTES:

(1) PURGE ALL WATER SUPPLY LINES TO REMOVE SOLIDS PRIOR TO TOY INSTALLATION.

(2) PROVIDE ELECTRICAL BOND WITH POOL REBAR.

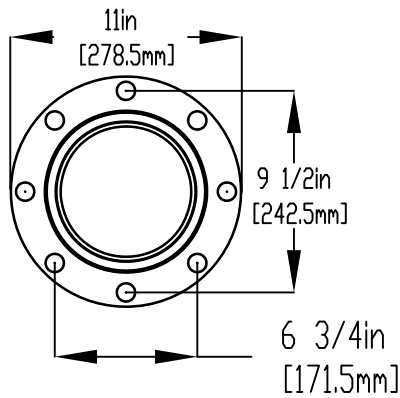
(3) INSTALL ALL WATER TOYS PLUMB AND LEVEL.

(4) PROVIDE STRAINER UPSTREAM OF TOY WITH MAX 1/32" (0.8mm) PERFORATIONS.

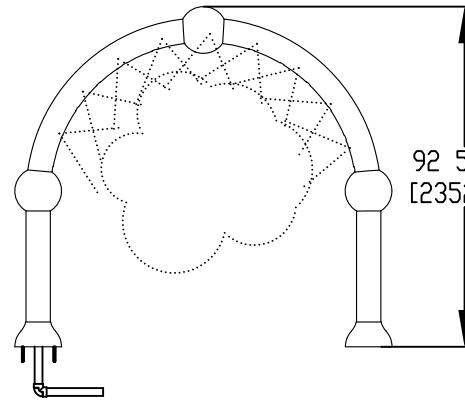


96 3/4in [2457.4mm]

102 3/4in [2608.7mm]



FLANGE DETAIL

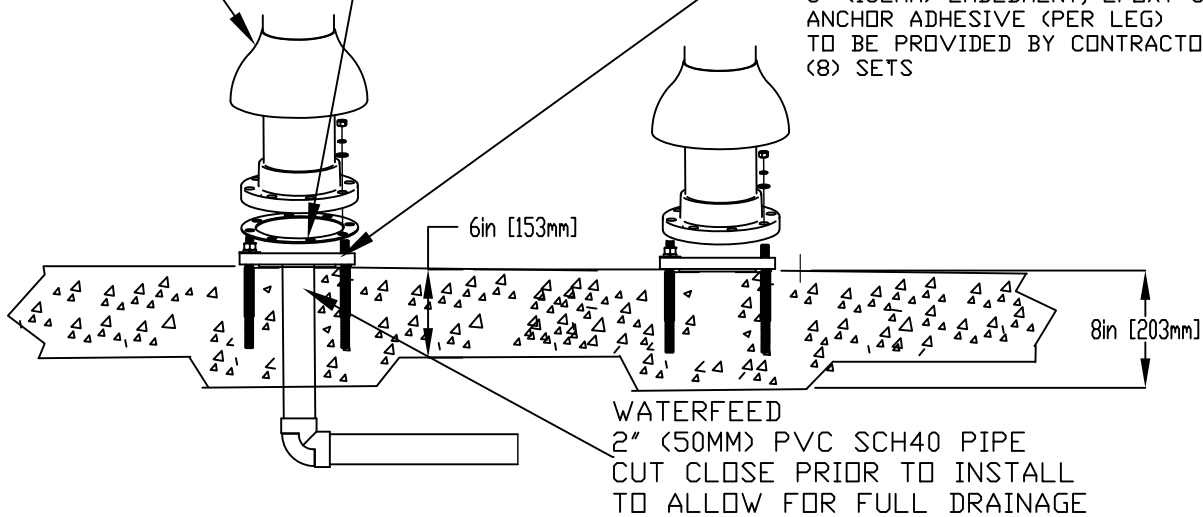


92 5/8in [2352.7mm]

LOWER FLANGE COVERS AFTER TOY IS INSTALLED

FLOODED COLUMN ENSURE LEVEL & PLUMB 6" (152mm) X 1/8" (3mm) GASKETS, INSTALLED UNDER FLANGES TO BE PROVIDED BY EMPEX

1/2" (13mm) X 8" (203mm) 316SS THREADED ROD, C/W FENDER WASHER, LOCK WASHER & UT (X4) MINIMUM 6" (152mm) EMBEDMENT, EPOXY SET ANCHOR ADHESIVE (PER LEG) TO BE PROVIDED BY CONTRACTOR (8) SETS



WATERFEED 2" (50MM) PVC SCH40 PIPE CUT CLOSE PRIOR TO INSTALL TO ALLOW FOR FULL DRAINAGE

Notes: Overall dimensions of toys are approximate.

© EMPEX WATERTOYS



WATER SUPPLY EACH UNIT

30gpm @ 25 psi
1.89L/S @17.5m

AQUABOLO QUAD

T810-4

1/12/2020

SCALE:

Sheet
1 of 1

1

2

3

4