

1

2

3

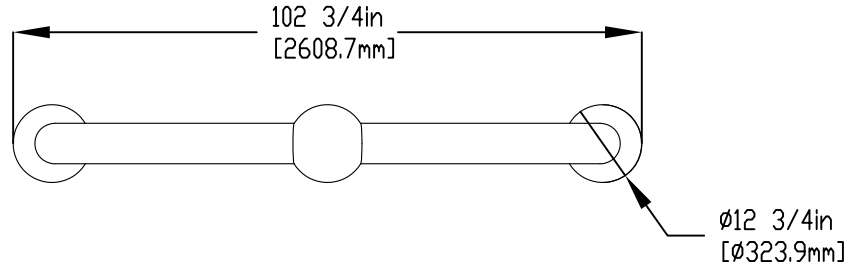
4

NOTES:

- (1) PURGE ALL WATER SUPPLY LINES TO REMOVE SOLIDS PRIOR TO TOY INSTALLATION.
- (2) PROVIDE ELECTRICAL BOND WITH POOL REBAR.
- (3) INSTALL ALL WATER TOYS PLUMB AND LEVEL.
- (4) PROVIDE STRAINER UPSTREAM OF TOY WITH MAX 1/32" (0.8mm) PERFORATIONS.

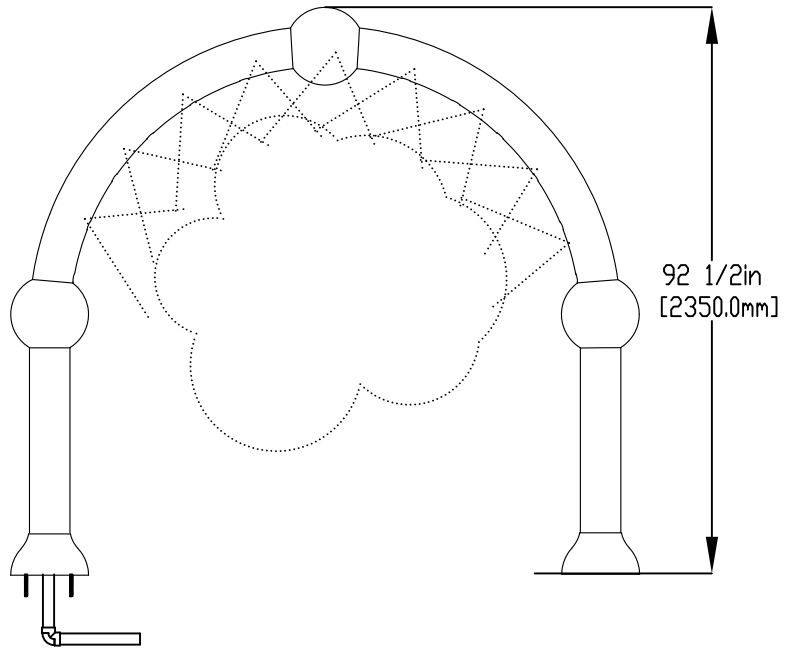
A

A



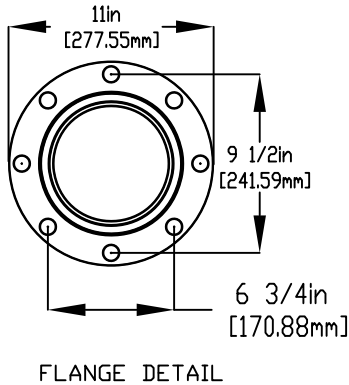
B

B



C

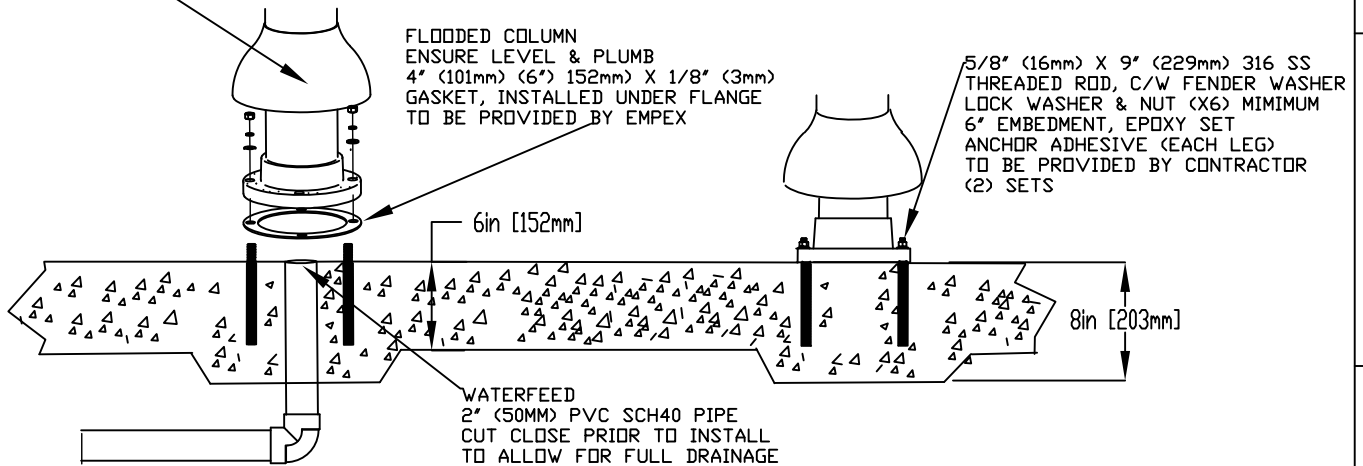
C



D

D

LOWER FLANGE COVERS AFTER TOY IS INSTALLED



E

E

F

F



Notes: Overall dimensions of toys are approximate.
 Approximate Weight: 150lbs / 68.2kgs

© EMPEX WATERTOYS

WATER SUPPLY

30 gpm @ 25 psi
 1.89L/S @17.5m

AQUABOLO

T810

04/08/2020

SCALE:

Sheet 1 of 1

1

2

3

4