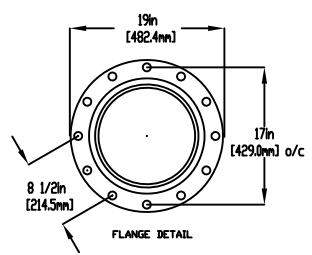
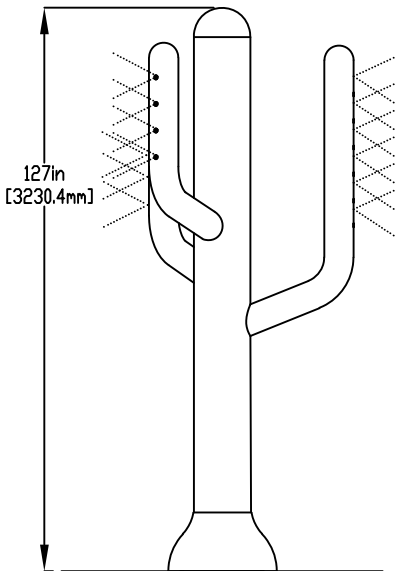
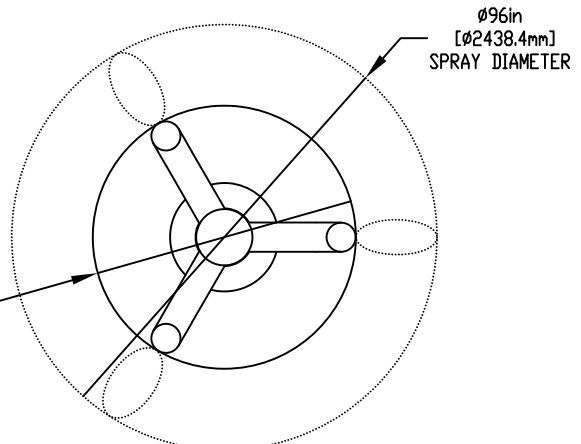


NOTES:

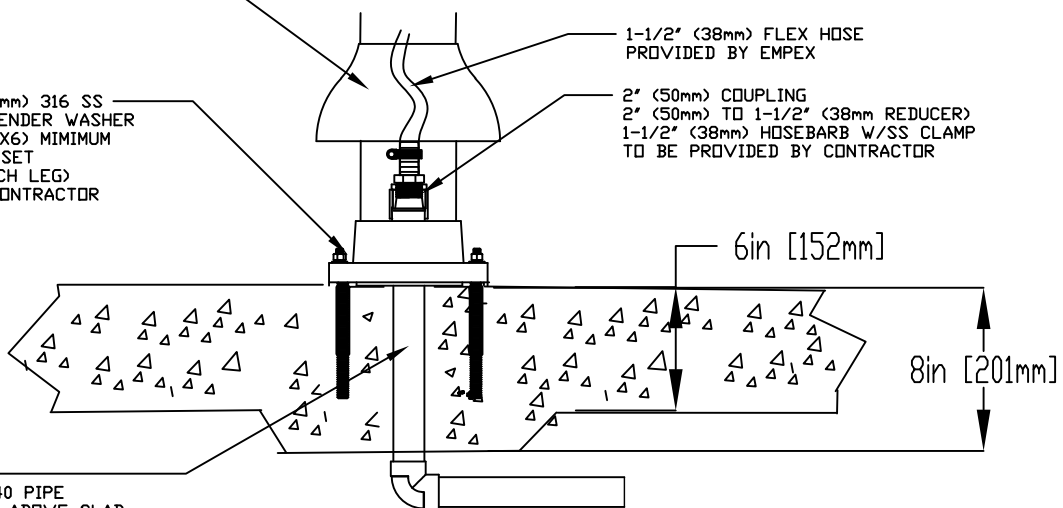
- (1) PURGE ALL WATER SUPPLY LINES TO REMOVE SOLIDS PRIOR TO TOY INSTALLATION.
- (2) PROVIDE ELECTRICAL BOND WITH POOL REBAR.
- (3) INSTALL ALL WATER TOYS PLUMB AND LEVEL.
- (4) PROVIDE STRAINER UPSTREAM OF TOY WITH MAX 1/32" (0.8mm) PERFORATIONS.



LOWER FLANGE COVERS AFTER TOY IS INSTALLED

5/8" (16mm) X 9" (229mm) 316 SS THREADED ROD, C/W FENDER WASHER LOCK WASHER & NUT (X6) MINIMUM 6" EMBEDMENT, EPOXY SET ANCHOR ADHESIVE (EACH LEG) TO BE PROVIDED BY CONTRACTOR

1-1/2" (38mm) FLEX HOSE PROVIDED BY EMPEX
 2" (50mm) COUPLING
 2" (50mm) TO 1-1/2" (38mm) REDUCER
 1-1/2" (38mm) HOSEBARB W/SS CLAMP TO BE PROVIDED BY CONTRACTOR



WATERFEED
 2" (50mm) PVC SCH 40 PIPE
 EXTENDED 6" (152mm) ABOVE SLAB.

A
B
C
D
E
F

A
B
C
D
E
F



Notes: Overall dimensions of toys are approximate.

© EMPEX WATERTOYS

WATER SUPPLY
 50 gpm @ 25 psi
 3.8L/S @17.5m

AQUACACTUS

AW101

01/04/2020

SCALE:

Sheet
 1 of 1